

1 2 3 4 5 6 7 8

REV	LOCATIONS	DESCRIPTION	DATE	REVISER	APPD

A
B
C
D
E
F

A
B
C
D
E
F



SPECIFICATIONS

Electrical Performances

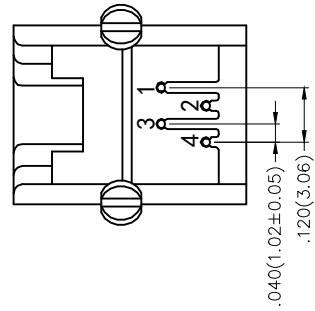
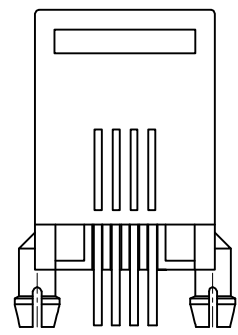
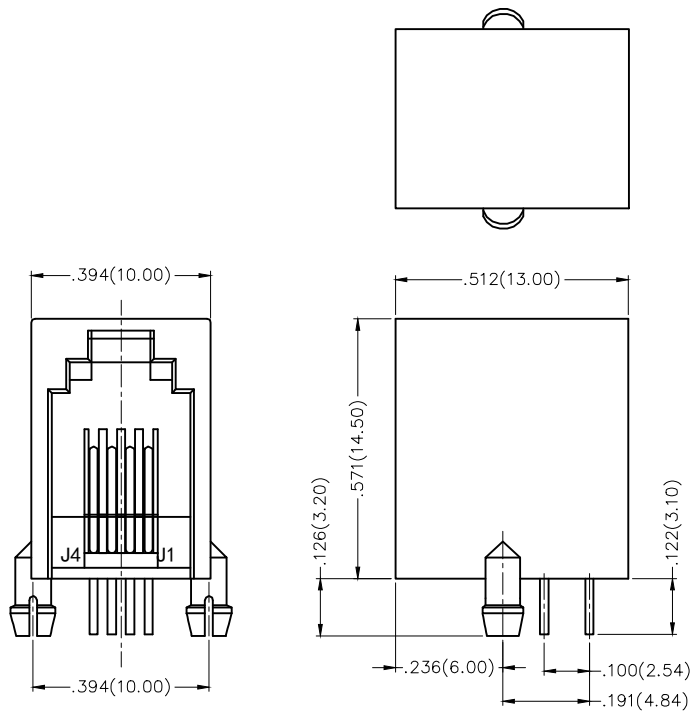
- Current Rating: 1.5A AC(rms)/DC
- Voltage Rating: 125V AC(rms)/DC
- Contact Resistance: 30 mΩ Max
- Insulation Resistance: 500 MΩ Min
- Withstanding Voltage: 1000V AC r.m.s
- Temperature Range-Operating: -40°C~+85°C

Mechanical

- Durability: 750 Cycles Min.
- Insertion force: 2.2KG.F Max.
- Retention strength: 7.7KG.F between jack and plug

Material and Plating

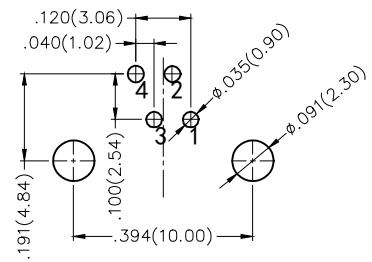
- Housing: PBT (UL 94V-0) Black
- Contact: Phosphor Bronze/ Gold plated



Ordering Information

FRJ11 008 - 1 1 XX K6 K 2 0
 1 2 3 4 5 6 7 8

1 Category FRJ11-RJ11 Connector	2 Distinction No. 008	3 Ports options 1-1 Port	4 Plating 1-Gold plated
5 Thickness of plating 00-Gold flash 03-3μ" Custom plate available	6 Color-Resin K6-Black	7 Packaging K-Tray	8 Contact type 2-Round pin



Recommended P.C.Board Layout

<p>THIRD ANGLE PROJECTION</p>	<p>GENERAL TOLERANCES (UNLESS SPECIFIED)</p>		<p>APPROVE BY FRANK</p>	<p>DATE 16/MAR/18</p>	<p>PART NO. FRJ11008-11XXK6K20</p>	<p>ITEM NO. FRJ11008</p>	<p>3K-KAMING®</p>
	<p>X.±.012(0.30)</p>	<p>X'.±5'</p>	<p>CHECKED BY CHERRY</p>	<p>DATE 16/MAR/18</p>	<p>TITLE RJ11 Connector 4P4C 90° Angle</p>		
<p>DESIGN UNITS Inch (metric)</p>	<p>X.X±.008(0.20)</p>	<p>X'.±2'</p>	<p>DRAWN BY KATE</p>	<p>DATE 16/MAR/18</p>	<p>THIS DRAWING CONTAINS INFORMATION THAT IS PROPRIETARY TO DONG GUAN LANG LUN(3K-KAMING) ELECTRONIC PRODUCTS CO., LTD. AND SHOULD NOT BE USED WITHOUT WRITTEN PERMISSION</p>		
<p>SCALE 5:1</p>	<p>SIZE A4</p>	<p>X.XX±.006(0.15)</p>	<p>X'.±1'</p>	<p>X.XXX±.004(0.10)</p>	<p>.XXX±0.5'</p>		

1 2 3 4 5 6 7 8