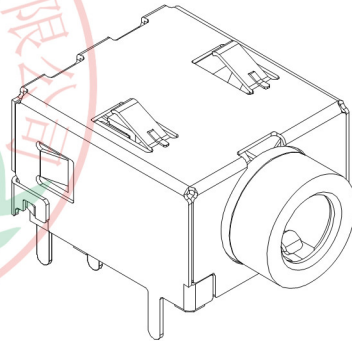
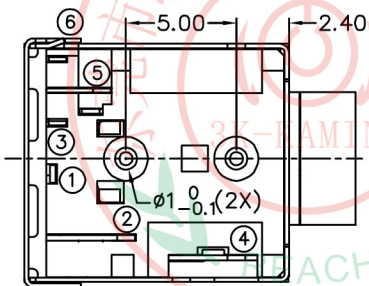
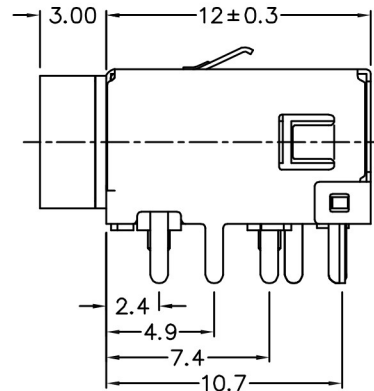
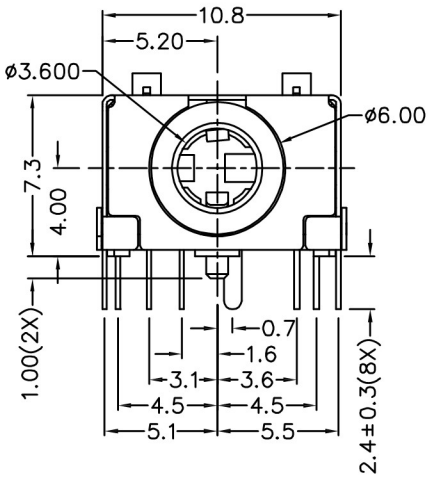
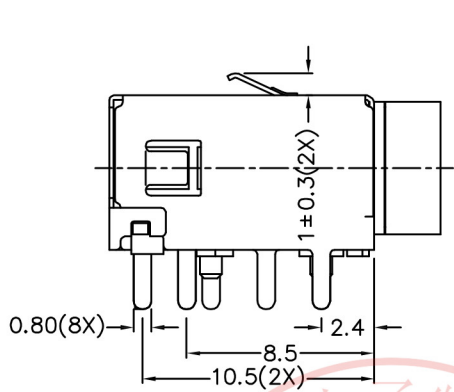


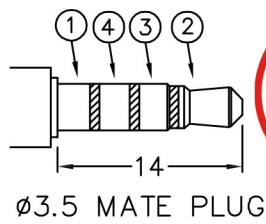
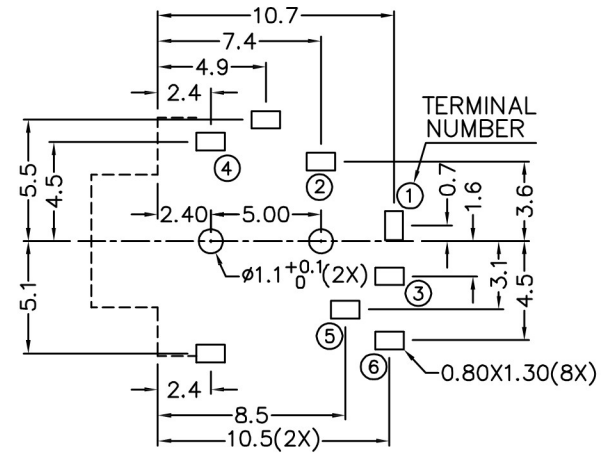
▲				
▲				
▲	02	Update drawing	20131029	Frank
▲	ZONE	REV	DESCRIPTION	DATE
			APPD.	

RoHS
Compatible



*** MATERIAL**

- TERMINAL 1 : COPPER ALLOY
- TERMINAL 2 : COPPER ALLOY
- TERMINAL 3 : COPPER ALLOY
- TERMINAL 4 : COPPER ALLOY
- TERMINAL 5 : COPPER ALLOY
- TERMINAL 6 : COPPER ALLOY
- SHIELD : COPPER ALLOY
- BUSHING : BRASS
- HOUSING : PA66



MODEL NO.	PJ-5026S	PJ-5024S
SCHMATIC		

3K-KAMING 东莞市朗纶电子制品有限公司
Dongguan langlun electronic products Co., Ltd

TEL: 86-0769-82123233 FAX: 86-0769-83536433

DESIGN	Frank	SCALE	
DRAWING	Frank	UNIT	mm
CHECK	Frank	SIZE	A4: 210*297
APPROVAL	Eric	VERSION	02

TOLERANCE UNLESS OTHERWISE STATED(mm)
less than 10 ±0.2
10~30 ±0.3
30~100 ±0.5
ANGIE ±2°

PART NAME	PHONE JACK
PART NO	PJ-502xS series
DRAWING NO	
DATE	2013/10/29