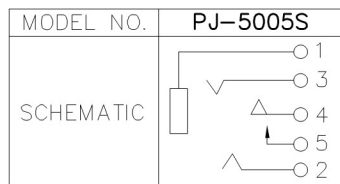
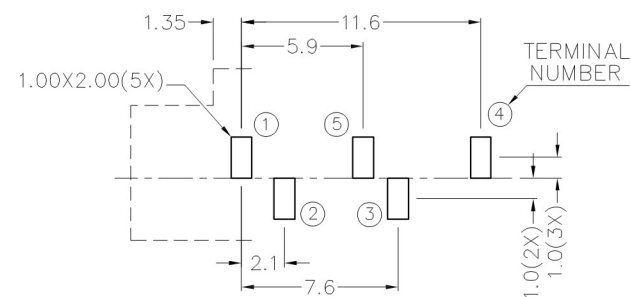
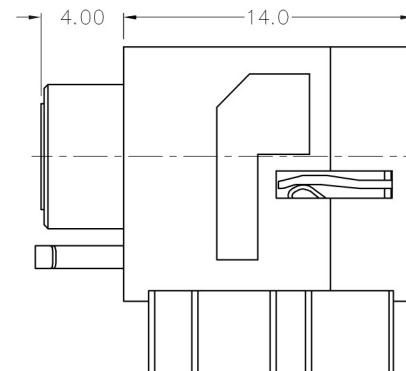
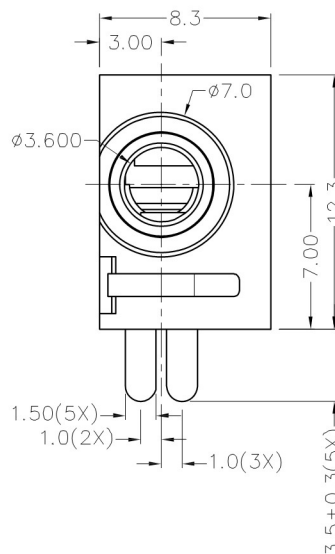
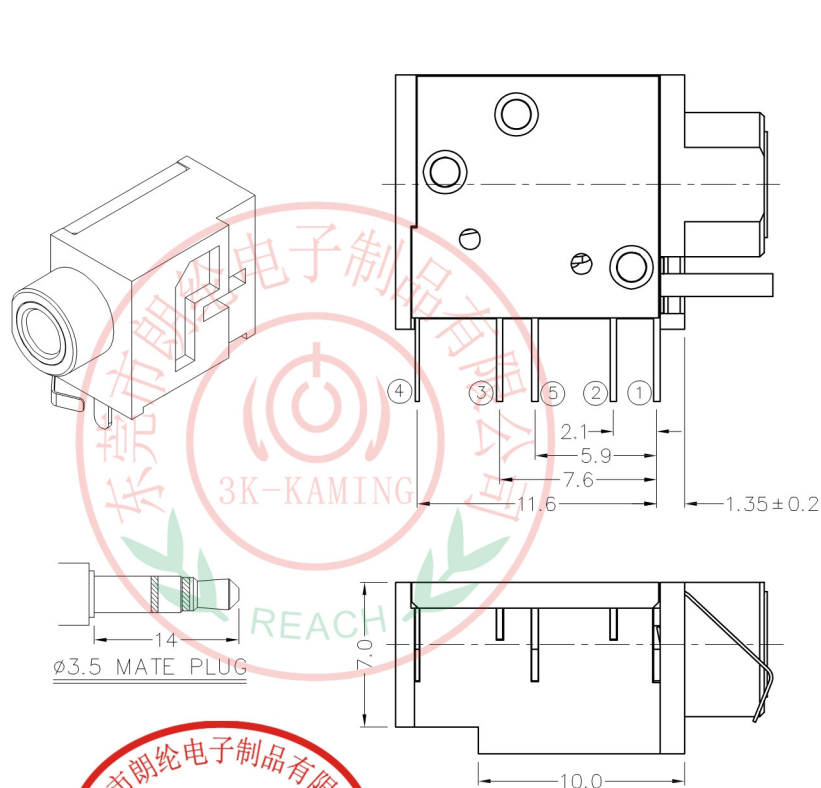


△				
△				
△				
△				
ZONE	REV	DESCRIPTION	DATE	APPD.



**RoHS**  
Compatible



\* MATERIAL

- TERMINAL 1 : BRASS
- TERMINAL 2 : BRASS
- TERMINAL 3 : BRASS
- TERMINAL 4 : COPPER ALLOY
- TERMINAL 5 : BRASS
- BUSHING : BRASS
- SPRING : STAINLESS STEEL
- SHIELD : STAINLESS STEEL
- HOUSING : PA66
- COVER : PA66



**3K-KAMING** 东莞市朗纶电子制品有限公司  
Dongguan langlun electronic products Co., Ltd

TEL: 86-0769-82123233 FAX: 86-0769-83536433

DESIGN	Sean	SCALE		
DRAWING	Sean	UNIT	mm	
CHECK	Sean	SIZE	A4: 210*297	
APPROVAL	Eric	VERSION	01	

TOLERANCE UNLESS OTHERWISE STATED(mm)	
less than 10	±0.2
10~30	±0.3
30~100	±0.5
ANGLE	±2°

PART NAME	PHONE JACK
PART NO	PJ-500XS SERIES
DRAWING NO	
DATE	2013/11/27