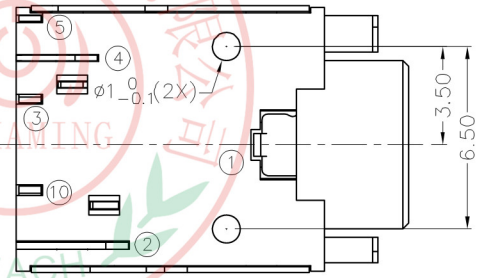
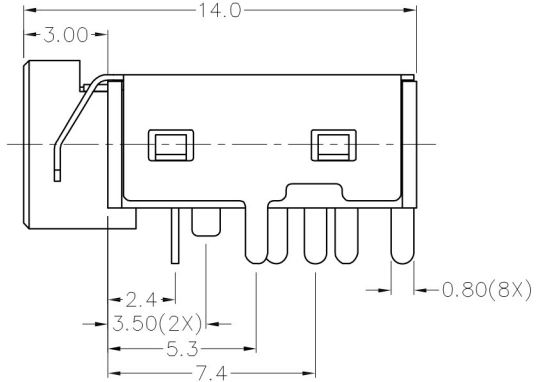
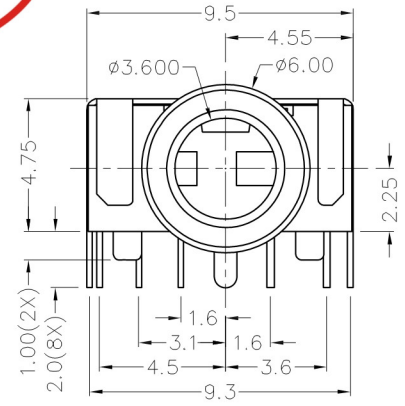
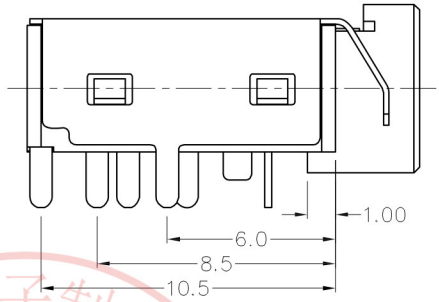
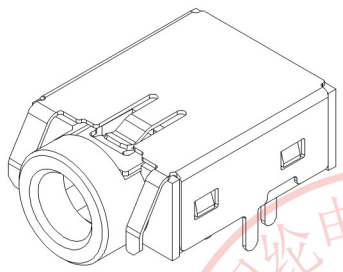


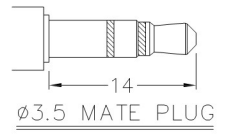
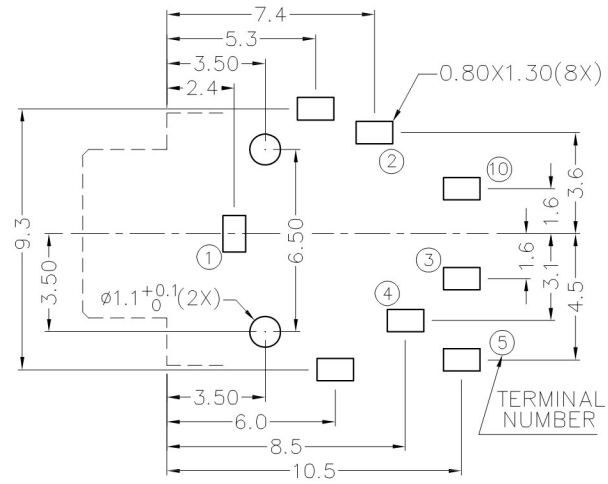
RoHS
Compatible



▲				
▲				
▲				
▲				
ZONE	REV	DESCRIPTION	DATE	APPD.



*** MATERIAL**
 TERMINAL 1 : COPPER ALLOY
 TERMINAL 2 : COPPER ALLOY
 TERMINAL 3 : COPPER ALLOY
 TERMINAL 4 : COPPER ALLOY
 TERMINAL 5 : COPPER ALLOY
 TERMINAL 10: BRASS
 SHIELD : COPPER ALLOY
 HOUSING : PA66



MODEL NO.	PJ-3966S	PJ-3965S	PJ-3964S
SCHEMATIC			

3K-KAMING 东莞市朗纶电子制品有限公司
 Dongguan langlun electronic products Co., Ltd

TEL: 86-0769-82123233 FAX: 86-0769-83536433

DESIGN	Will	SCALE		
DRAWING	Will	UNIT	mm	
CHECK	Will	SIZE	A4: 210*297	
APPROVAL	Eric	VERSION	01	

TOLERANCE UNLESS OTHERWISE STATED(mm)
less than 10 ±0.2
10~30 ±0.3
30~100 ±0.5
ANGLE ±2°

PART NAME	PHONE JACK
PART NO	PJ-396S SERIES
DRAWING NO	
DATE	2009/08/05