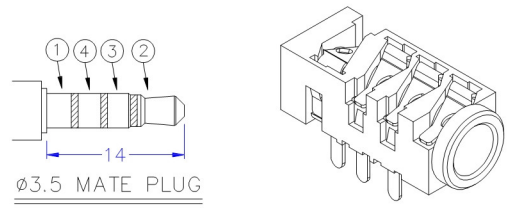
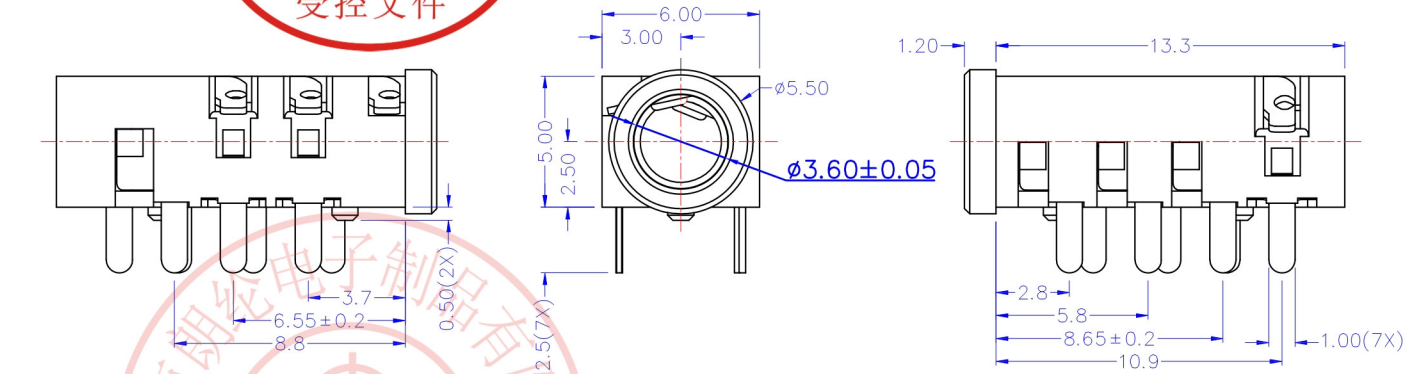
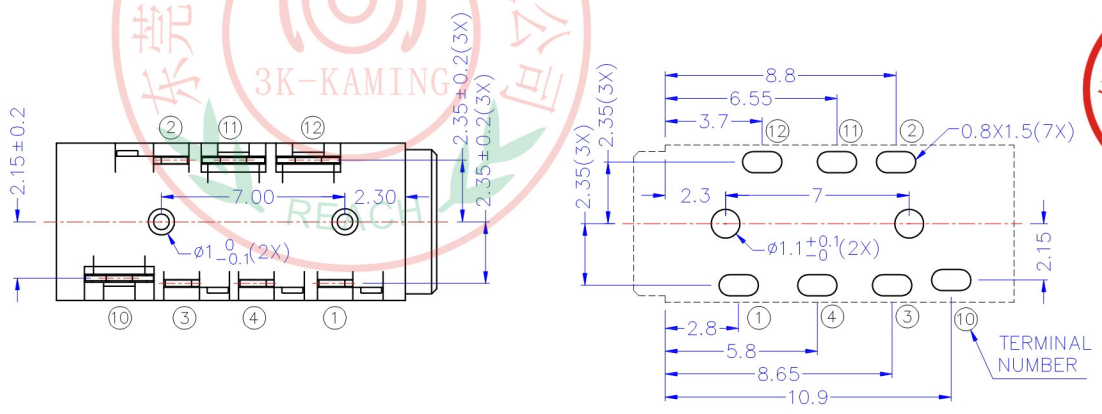


**RoHS**  
Compatible

MODEL NO.	PJ-3917	PJ-3916A	PJ-3915A	PJ-3914	PJ-3915
SCHEMATIC					



- Specification**
- Rating : DC 12V, 1A.
  - Contact resistance :  $\leq 50m\Omega$   
After test:  $\leq 100m\Omega$ .
  - Insulation resistance :  $\geq 100M\Omega$  (500 VDC)  
After test:  $\geq 50M\Omega$ .
  - Withstand voltage : 500VAC.
  - Insertion and extraction force : 3N~30N.
  - life test : 5,000 cycles min.
  - Operation temperature range:  $-25^{\circ}C \sim 85^{\circ}C$



RECOMMENDED PCB LAYOUT  
TOLERANCE:  $\pm 0.05mm$ (TOP VIEW)

5	Terminal 12	Brass	1	Gold Flash
4	Terminal 11	Brass	1	Gold Flash
3	Terminal 10	Brass	1	Gold Flash
5	Terminal 4	Copper Alloy	1	Gold Flash
4	Terminal 3	Copper Alloy	1	Gold Flash
3	Terminal 2	Copper Alloy	1	Gold Flash
2	Terminal 1	Copper Alloy	1	Gold Flash
1	Housing	PA66	1	Black
No.	Part Name	Material	Q'ty	Remarks

**3K-KAMING** 东莞市朗纶电子制品有限公司  
Dongguan langlun electronic products Co., Ltd  
TEL: 86-0769-82123233 FAX: 86-0769-83536433

DESIGN	Jeff	SCALE		TOLERANCE UNLESS OTHERWISE STATED(mm) 0 _____ $\pm 0.30$ 0.0 _____ $\pm 0.20$ 0.00 _____ $\pm 0.10$ ANGLE _____ $\pm 2^{\circ}$	PART NAME	PHONE JACK
DRAWING	Jeff	UNIT	mm		PART NO	PJ-391 SERIES
CHECK	Jeff	SIZE	A4: 210*297		DRAWING NO	
APPROVAL	Honda	VERSION	01		DATE	2017/12/14