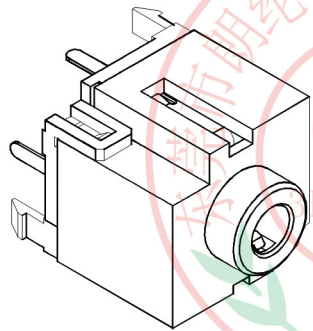
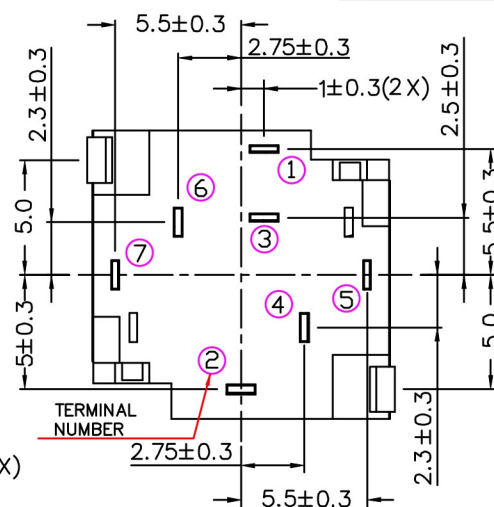
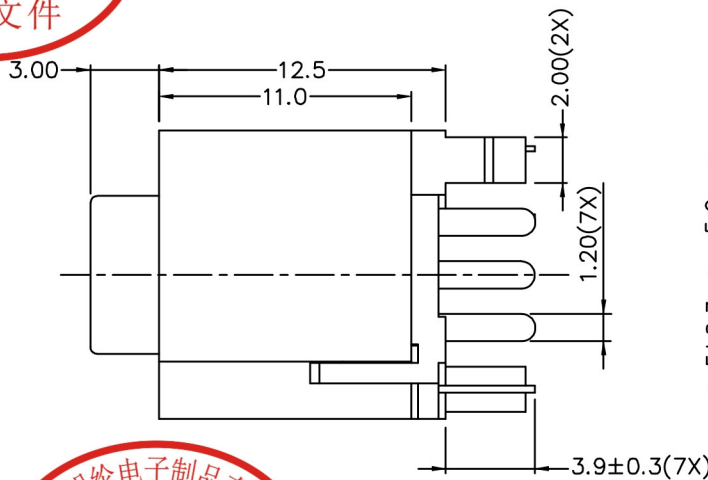
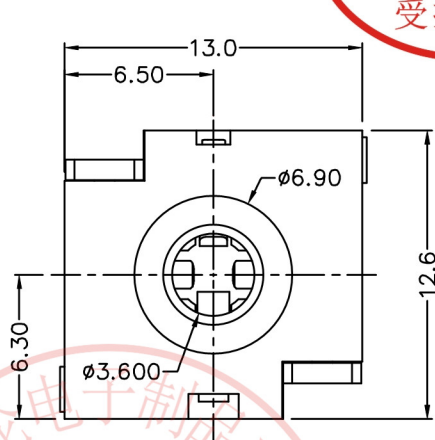


△				
△				
△				
△				
ZONE	REV	DESCRIPTION	DATE	APPD.

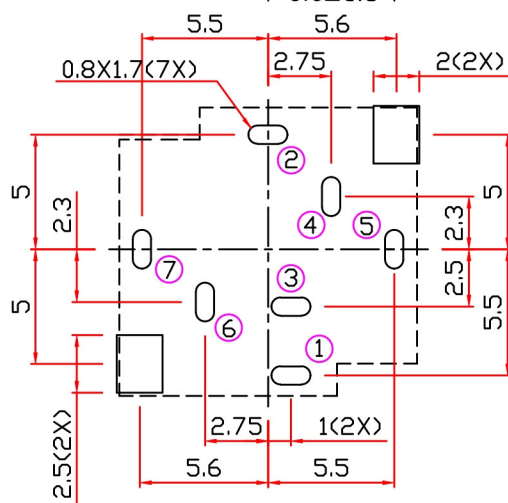
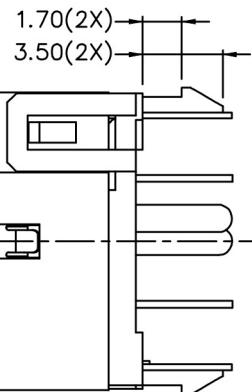


RoHS
Compatible

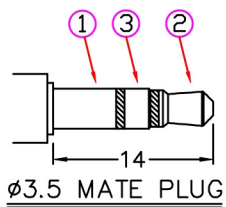


*** MATERIAL**

- TERMINAL 1 : COPPER ALLOY
- TERMINAL 2 : COPPER ALLOY
- TERMINAL 3 : COPPER ALLOY
- TERMINAL 4 : BRASS
- TERMINAL 5 : COPPER ALLOY
- TERMINAL 6 : BRASS
- TERMINAL 7 : COPPER ALLOY
- HOUSING : PA66
- COVER : PA66
- INSULATOR : PA10T



RECOMMENDED PCB LAYOUT
TOLERANCE: ±0.05
(TOP VIEW)



MODEL NO.	PJ-3887
SCHMATIC	

3K-KAMING 东莞市朗纶电子制品有限公司
Dongguan langlun electronic products Co., Ltd

DESIGN	Eason	SCALE		
DRAWING	Eason	UNIT	mm	
CHECK	Eason	SIZE	A4: 210*297	
APPROVAL	Honda	VERSION	02	

TOLERANCE UNLESS OTHERWISE STATED(mm)	
0.0	±0.2
0.00	±0.1
0.000	±0.05
ANGLE	±2'

PART NAME	PHONE JACK
PART NO	PJ-388 SERIES
DRAWING NO	
DATE	2016/03/04

TEL: 86-0769-82123233 FAX: 86-0769-83536433