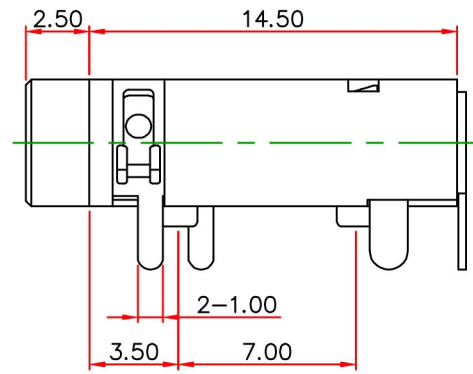
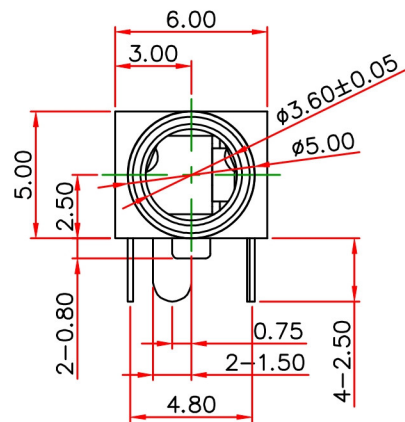
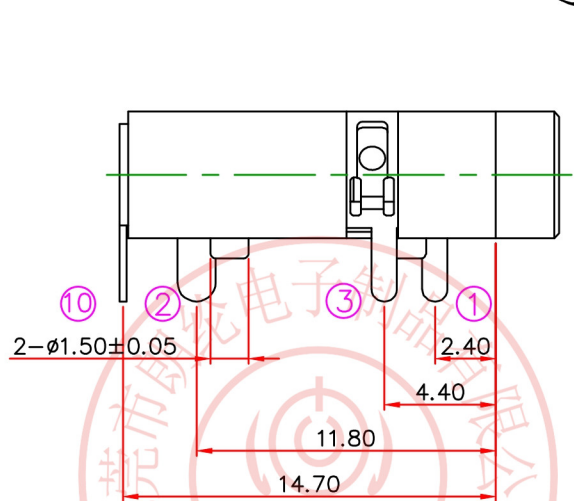
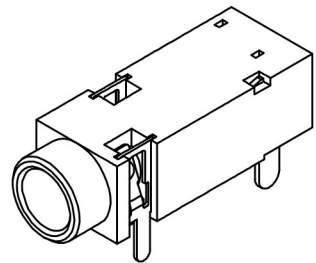


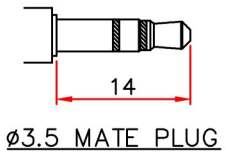
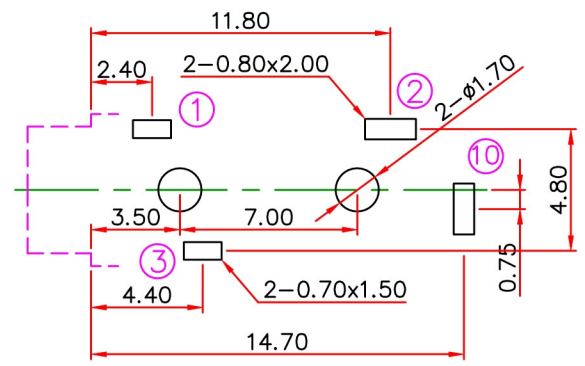
△				
△				
△				
ZONE	REV	DESCRIPTION	DATE	APPD.

RoHS
Compatible



Material :
 TERMINAL 1 : Copper Alloy, Sn plated
 TERMINAL 2 : Copper Alloy, Sn plated
 TERMINAL 3 : Copper Alloy, Sn plated
 TERMINAL10 : Brass, Sn plated
 HOUSING : PA66

RECOMMENED P.C.B MOUNTING PATTERN DIMENSION



Model	PJ-3874	PJ-3873	PJ-3873A
SCHEMATIC			

3K-KAMING 东莞市朗纶电子制品有限公司
 Dongguan langlun electronic products Co., Ltd

DESIGN	Eason	SCALE		
DRAWING	Eason	UNIT	mm	
CHECK	Eason	SIZE	A4: 210*297	
APPROVAL	Honda	VERSION	02	

TOLERANCE UNLESS OTHERWISE STATED(mm)	
0	±0.30
0.0	±0.25
0.00	±0.20
ANGLE	±2°

PART NAME	PHONE JACK
PART NO	PJ-387x Series
DRAWING NO	
DATE	2017/09/25

TEL: 86-0769-82123233 FAX: 86-0769-83536433