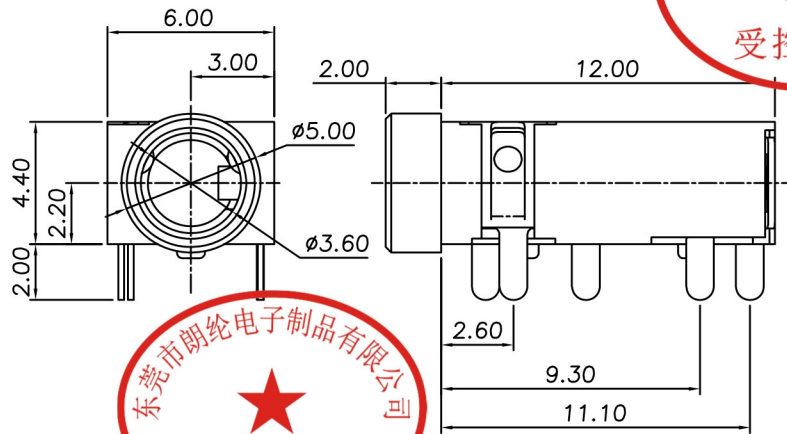
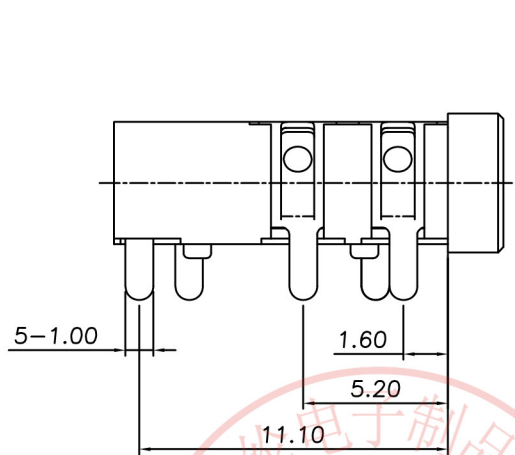
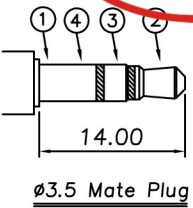
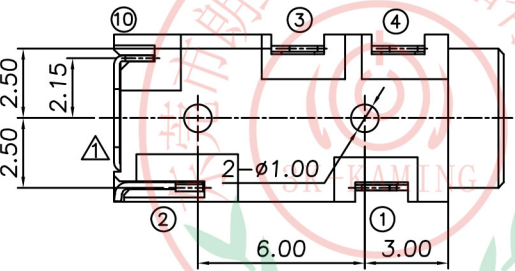
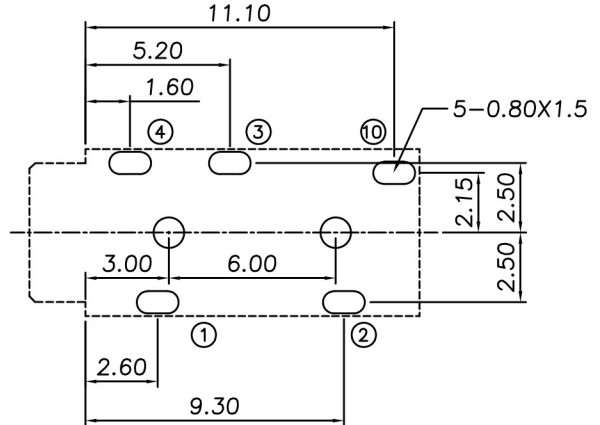


△				
△				
△				
△	02	修改端子與本體	2012/10/02	Will Chang
ZONE	REV	DESCRIPTION	DATE	APPD.

**RoHS**  
Compatible



P.C.B Mounting pattern Dimension

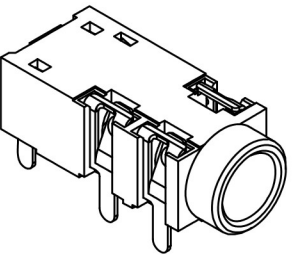


Order Information:  
PJ-386 SCHEMATIC

Model No.	PJ-3865	PJ-3864	PJ-3864A	PJ-3863
Schematic				

**Specifications**

1. Rating : 12V 1A Max.
2. Contact resistance: 30mΩ Max.
3. Insulation resistance : 100MΩ Min.
4. Withstand voltage : 500VAC
5. Insertion and extraction force : 0.3-2Kgf
6. Life test : 5,000 cycles Min.
7. Operating temperature : -25°C~85°C



6	Terminal 10	Brass	1	Sn Plated
5	Terminal 4	Copper Alloy	1	Sn Plated
4	Terminal 3	Copper Alloy	1	Sn Plated
3	Terminal 2	Copper Alloy	1	Sn Plated
2	Terminal 1	Copper Alloy	1	Sn Plated
1	Plastic Housing	PA66	1	Black

No.	Part Name	Material	Q'ty	Finishing
-----	-----------	----------	------	-----------

东莞市朗纶电子制品有限公司  
3K-KAMING Dongguan langlun electronic products Co., Ltd

DESIGN	Will	SCALE			TOLERANCE UNLESS OTHERWISE STATED(mm)	PART NAME	PHONE JACK	
DRAWING	Will	UNIT	mm		less than 10	±0.2	PART NO	PJ-386 SERIES
CHECK	Will	SIZE	A4: 210*297		10~30	±0.3	DRAWING NO	
APPROVAL	Eric	VERSION	02		30~100	±0.4	DATE	2012/10/02
					ANGIE	±2'		

TEL: 86-0769-82123233 FAX: 86-0769-83536433