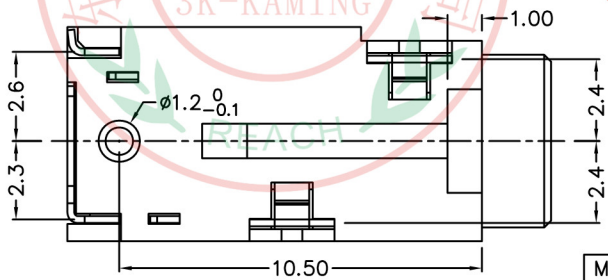
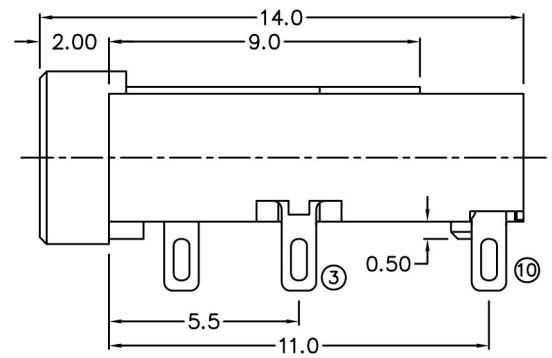
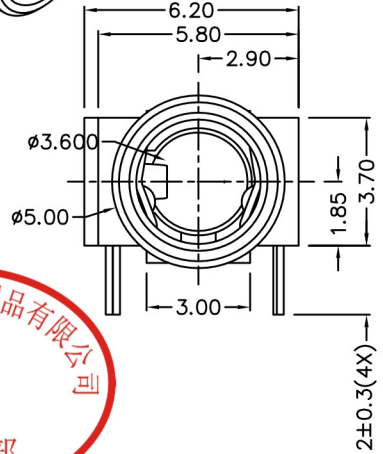
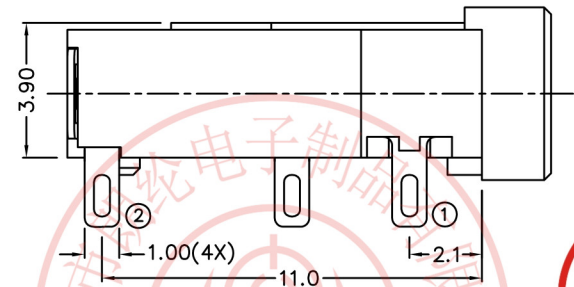
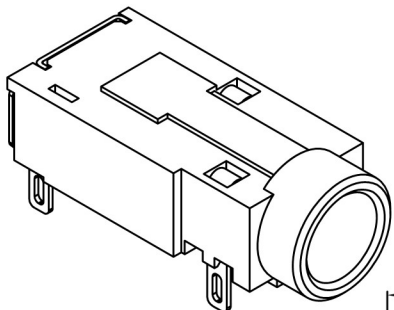


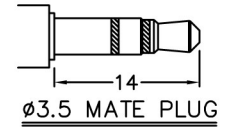
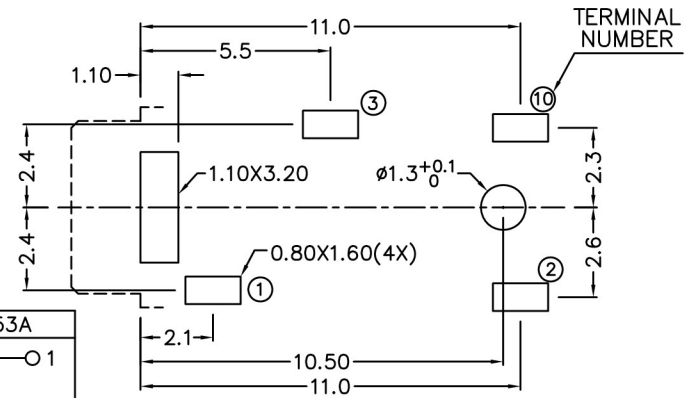
△				
△				
△				
△				
ZONE	REV	DESCRIPTION	DATE	APPD.

**RoHS**  
Compatible



**\* MATERIAL**

- TERMINAL 1 : COPPER ALLOY
- TERMINAL 2 : COPPER ALLOY
- TERMINAL 3 : COPPER ALLOY
- TERMINAL 10 : BRASS
- HOUSING : PA66



MODEL NO.	PJ-3854	PJ-3853	PJ-3853A
SCHEMATIC			

**3K-KAMING** 东莞市朗纶电子制品有限公司  
Dongguan langlun electronic products Co., Ltd

DESIGN	Will	SCALE		
DRAWING	Will	UNIT	mm	
CHECK	Will	SIZE	A4: 210*297	
APPROVAL	Eric	VERSION	01	

TOLERANCE UNLESS OTHERWISE STATED(mm)	
less than 10	±0.2
10~30	±0.3
30~100	±0.5
ANGLE	±2'

PART NAME	PHONE JACK
PART NO	PJ-385 SERIES
DRAWING NO	
DATE	2009/11/25

TEL: 86-0769-8212323 FAX: 86-0769-83536433