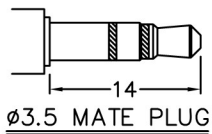
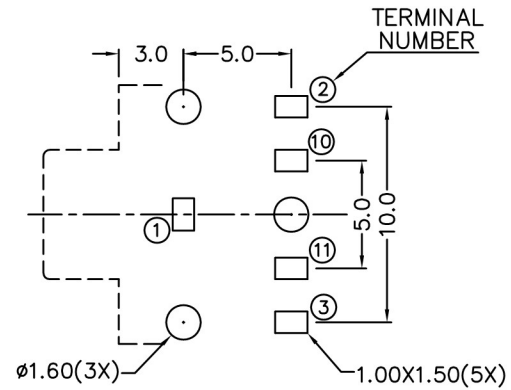
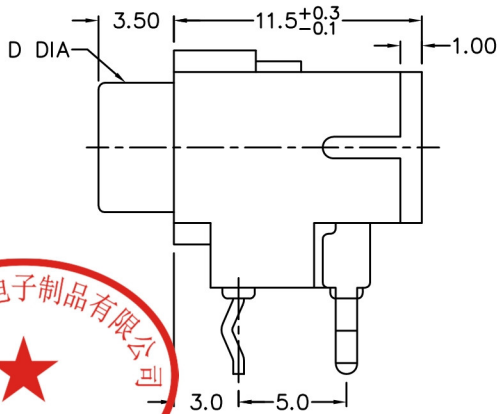
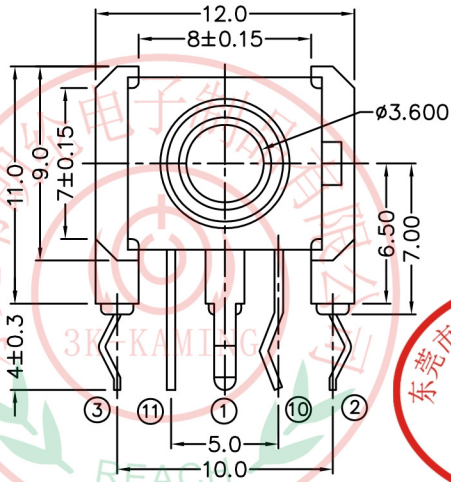
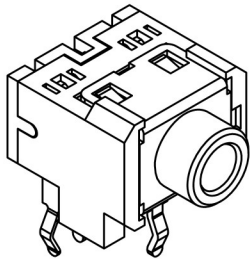


**RoHS**  
**Compatible**



**\* MATERIAL**

TERMINAL 1 : COLD ROLLED STEEL	BUSHING : BRASS
TERMINAL 2 : COPPER ALLOY	SPRING : STAINLESS STEEL
TERMINAL 3 : COPPER ALLOY	HOUSING : PBT
TERMINAL 10 : BRASS	COVER : PBT
TERMINAL 11 : BRASS	



THREADED	M6X0.5	MODEL NO.	PJ-3845N	PJ-3844AN	PJ-3844BN	PJ-3843N	PJ-3843AN
FLASHED	ø6.0	MODEL NO.	PJ-3845F	PJ-3844AF	PJ-3844BF	PJ-3843F	PJ-3843AF
D DIA	SCHMATIC						

**3K-KAMING** 东莞市朗纶电子制品有限公司  
Dongguan langlun electronic products Co., Ltd

TEL: 86-0769-82123233 FAX: 86-0769-83536433

DESIGN	Will	SCALE		
DRAWING	Will	UNIT	mm	
CHECK	Will	SIZE	A4: 210*297	
APPROVAL	Eric	VERSION	01	

TOLERANCE UNLESS OTHERWISE STATED(mm)
less than 10 — ±0.2
10~30 — ±0.3
30~100 — ±0.5
ANGIE — ±2'

PART NAME	PHONE JACK
PART NO	PJ-384 SERIES
DRAWING NO	
DATE	2009/11/24