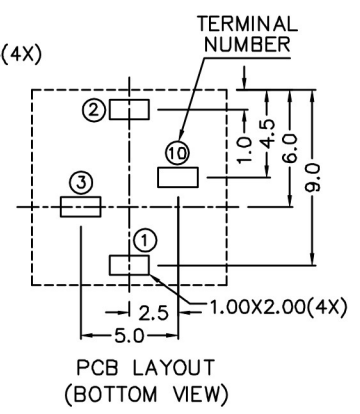
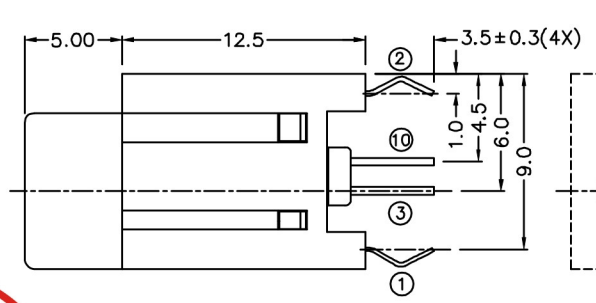
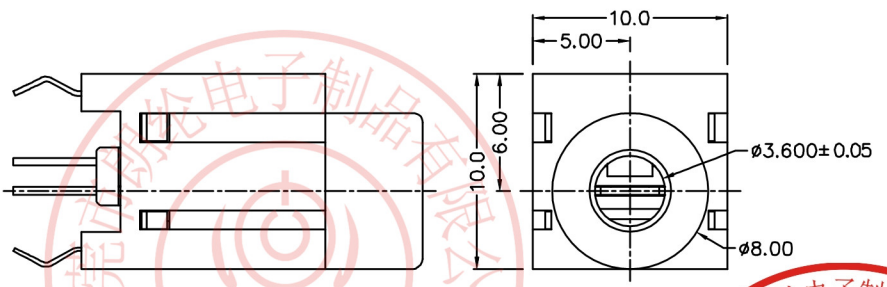
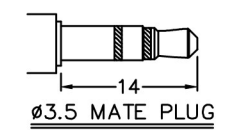
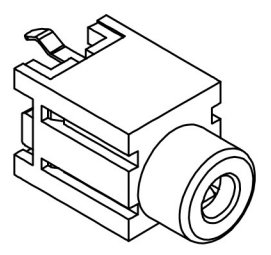


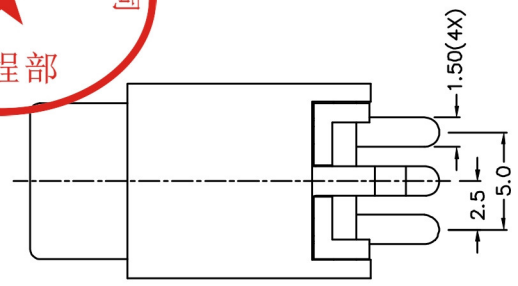
RoHS
Compatible



▲				
▲				
▲				
▲				
ZONE	REV	DESCRIPTION	DATE	APPD.



MODEL NO.	PJ-3834	PJ-3833	PJ-3833A
SCHEMATIC			



- * MATERIAL**
- TERMINAL 1 : Copper Alloy, Sn Plated
 - TERMINAL 2 : Copper Alloy, Sn Plated
 - TERMINAL 3 : Brass, Sn Plated
 - TERMINAL 10 : Brass, Sn Plated
 - HOUSING : PBT
 - COVER : PBT

东莞市朗纶电子制品有限公司
Dongguan langlun electronic products Co., Ltd

DESIGN	Will	SCALE		
DRAWING	Eason	UNIT	mm	
CHECK	Eason	SIZE	A4: 210*297	
APPROVAL	Honda	VERSION	02	

TOLERANCE UNLESS OTHERWISE STATED(mm)	PART NAME	PHONE JACK
0 ——— ±0.5	PART NO	PJ-383 SERIES
0.0 ——— ±0.2	DRAWING NO	
0.00 ——— ±0.1	DATE	2016/06/14
ANGLE ——— ±2'		

TEL: 86-0769-82123233 FAX: 86-0769-83536433