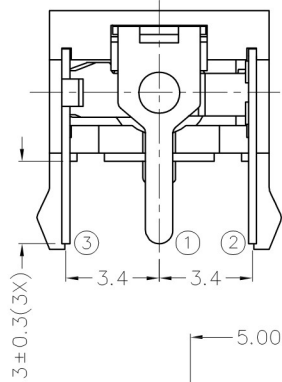
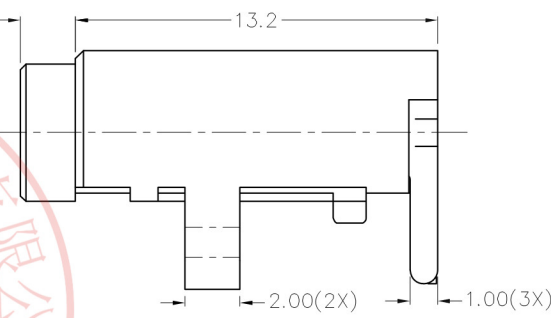
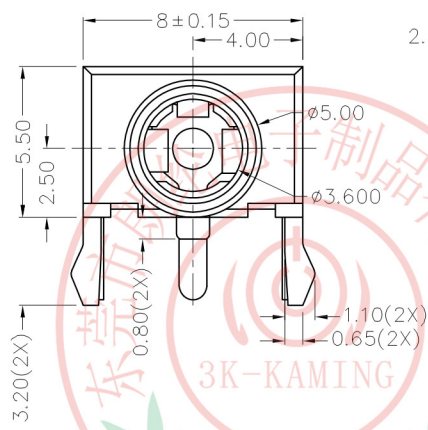
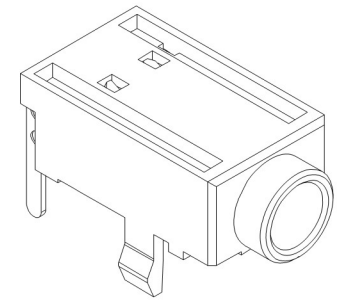
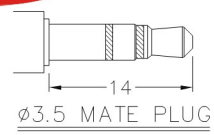
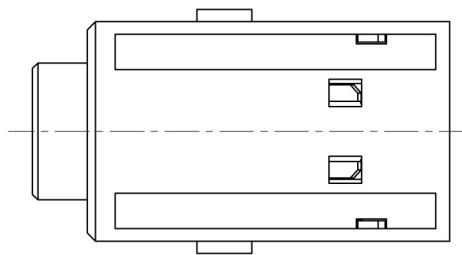


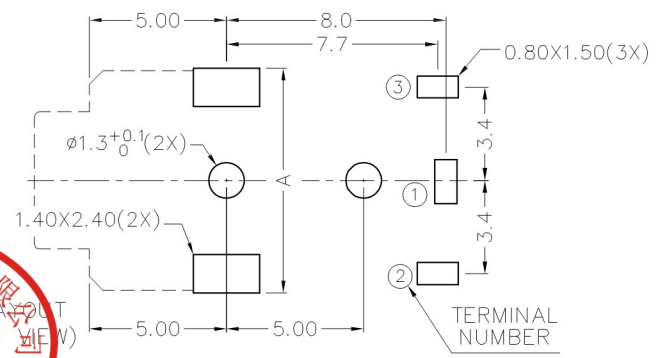
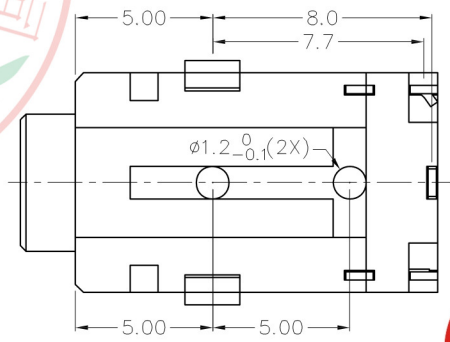
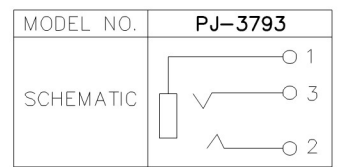
▲				
▲				
▲				
▲				
ZONE	REV	DESCRIPTION	DATE	APPD.

RoHS
Compatible



PCB THK.	A
1	8.2
1.2	8.4
1.6	8.8

*MATERIAL
 TERMINAL 1 : COPPER ALLOY
 TERMINAL 2 : COPPER ALLOY
 TERMINAL 3 : COPPER ALLOY
 HOUSING : PBT



3K-KAMING 东莞市朗纶电子制品有限公司
 Dongguan langlun electronic products Co., Ltd

DESIGN	Will	SCALE			TOLERANCE UNLESS OTHERWISE STATED(mm)	PART NAME	PHONE JACK
DRAWING	Will	UNIT	mm		less than 10 — ±0.2	PART NO	PJ-379 SERIES
CHECK	Will	SIZE	A4: 210*297		10~30 — ±0.3	DRAWING NO	
APPROVAL	Eric	VERSION	01		30~100 — ±0.5	DATE	2009/11/25
					ANGIE — ±2'		

TEL: 86-0769-82123233 FAX: 86-0769-83536433