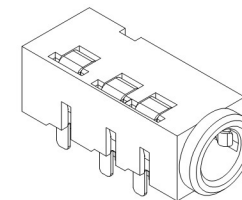
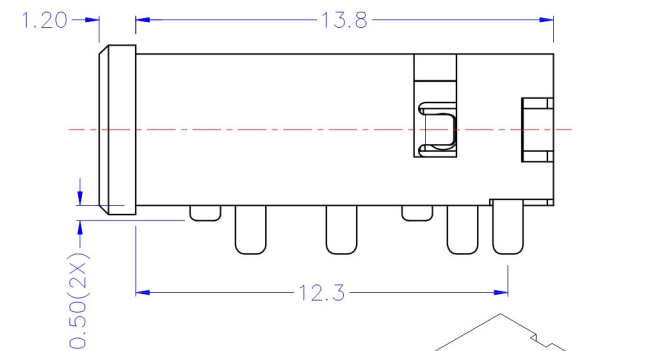
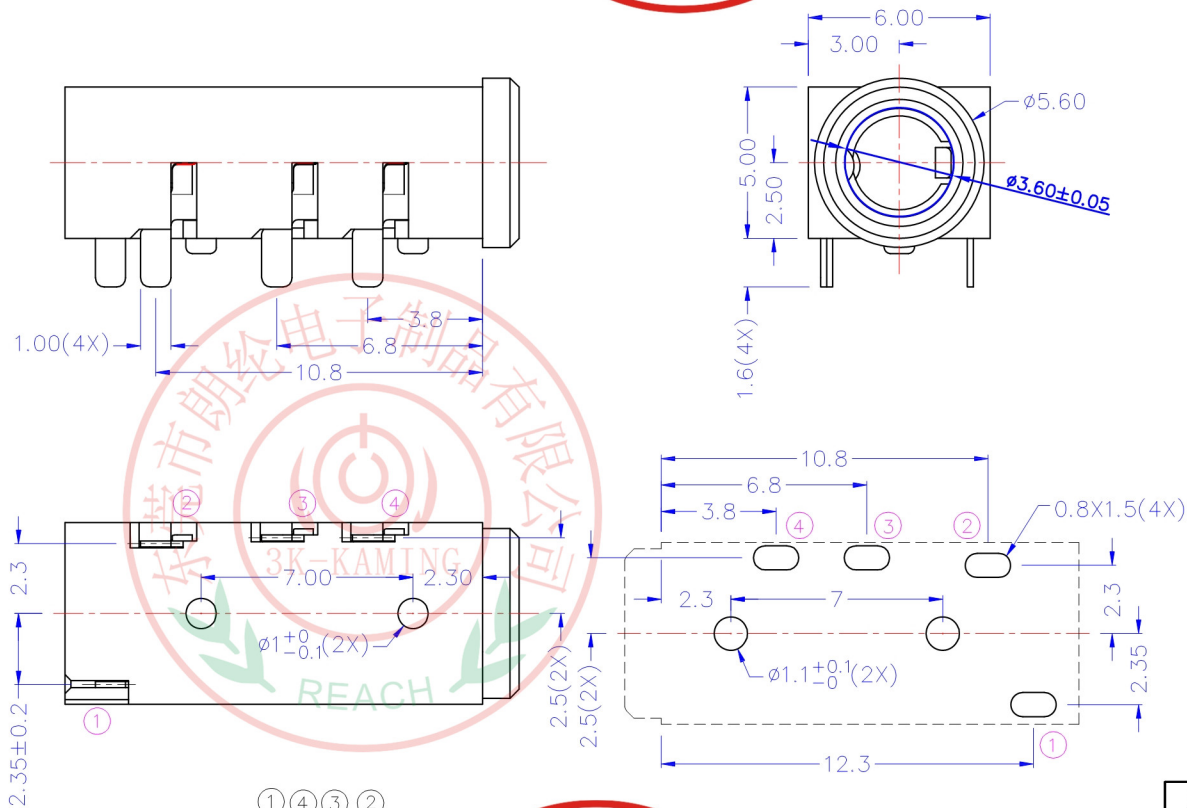


△				
△				
△				
△				
ZONE	REV	DESCRIPTION	DATE	APPD.

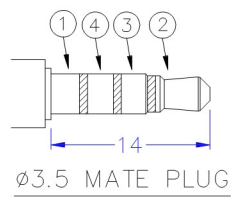


MODEL NO.	PJ-3744	PJ-3743
SCHEMATIC		



Specification

1. Rating : DC 12V, 1A.
2. Contact resistance : $\leq 50m\Omega$;
After test: $\leq 100m\Omega$.
3. Insulation resistance : $\geq 100M\Omega$ (500 VDC)
After test: $\geq 50M\Omega$.
4. Withstand voltage : 500VAC.
5. Insertion and extraction force : 3N~30N.
6. life test : 5,000 cycles.
7. Operation temperature range: $-25^{\circ}C \sim 85^{\circ}C$



RECOMMENDED PCB LAYOUT
TOLERANCE: $\pm 0.05mm$ (TOP VIEW)

5	Terminal 4	Copper Alloy	1	Sn Plated
4	Terminal 3	Copper Alloy	1	Sn Plated
3	Terminal 2	Copper Alloy	1	Sn Plated
2	Terminal 1	Copper Alloy	1	Sn Plated
1	Housing	PA66	1	Black
No.	Part Name	Material	Q'ty	Remarks

东莞市朗纶电子制品有限公司
Dongguan langlun electronic products Co., Ltd

DESIGN	Jeff	SCALE		
DRAWING	Jeff	UNIT	mm	
CHECK	Jeff	SIZE	A4: 210*297	
APPROVAL	Honda	VERSION	02	

TOLERANCE UNLESS OTHERWISE STATED(mm)	PART NAME	PHONE JACK
0 _____ ± 0.30	PART NO	PJ-374X
0.0 _____ ± 0.20	DRAWING NO	
0.00 _____ ± 0.10	DATE	2017/12/05
ANGLE _____ $\pm 2^{\circ}$		

TEL: 86-0769-8212323 FAX: 86-0769-83536433