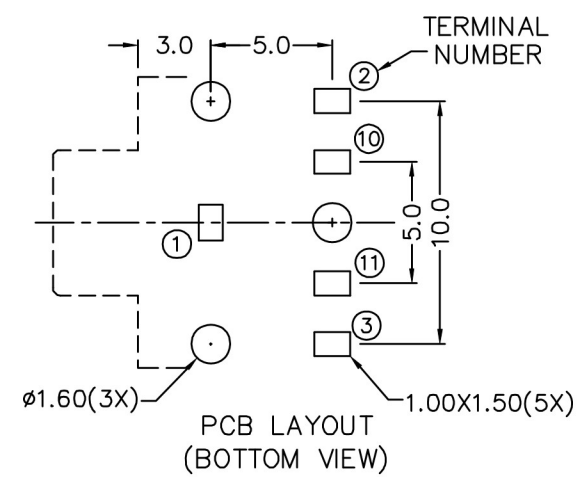
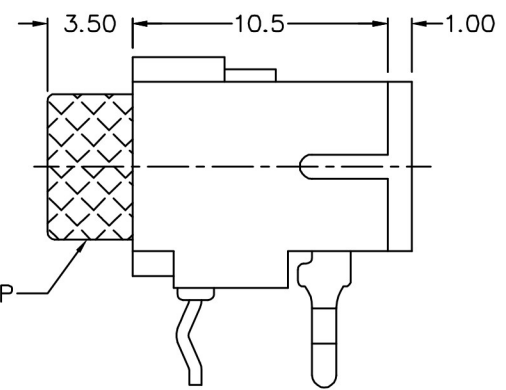
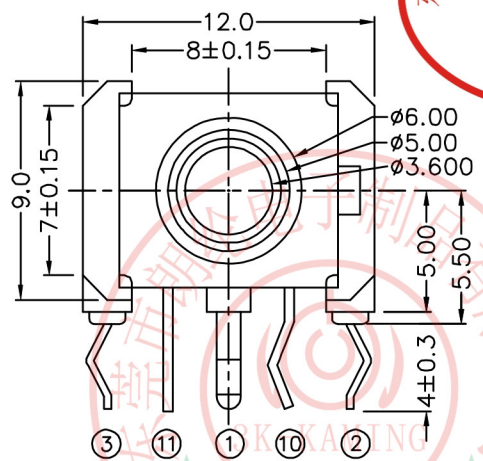
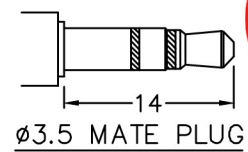
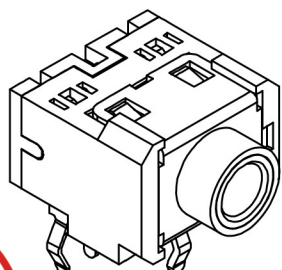


△				
△				
△				
△				
ZONE	REV	DESCRIPTION	DATE	APPD.

**RoHS**  
**Compatible**



MODEL NO.	PJ-3685	PJ-3684A	PJ-3684B	PJ-3683	PJ-3683A
SCHEMATIC					

**\* MATERIAL**

- TERMINAL 1 : COLD ROLLED STEEL
- TERMINAL 2 : COPPER ALLOY
- TERMINAL 3 : COPPER ALLOY
- TERMINAL 10 : BRASS
- TERMINAL 11 : BRASS
- BUSHING : BRASS
- SPRING : STAINLESS STEEL
- HOUSING : PBT
- COVER : PBT
- INSULATION CAP : PBT

东莞市朗纶电子制品有限公司  
Dongguan langlun electronic products Co., Ltd

TEL: 86-0769-82123233 FAX: 86-0769-83536433

DESIGN	Will	SCALE		
DRAWING	Ross	UNIT	mm	
CHECK	Elsa	SIZE	A4: 210*297	
APPROVAL	Eric	VERSION	01	

TOLERANCE UNLESS OTHERWISE STATED(mm)	PART NAME	PHONE JACK
less than 10 — ±0.2	PART NO	PJ-368 SERIES
10~30 — ±0.3	DRAWING NO	
30~100 — ±0.5	DATE	2015/02/04
ANGLE — ±2°		