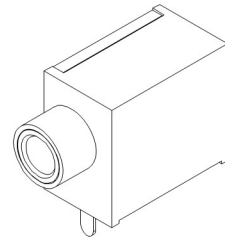
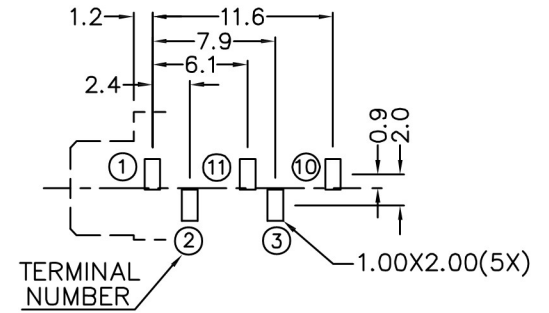
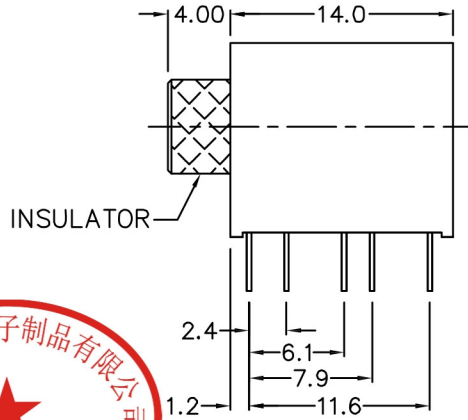
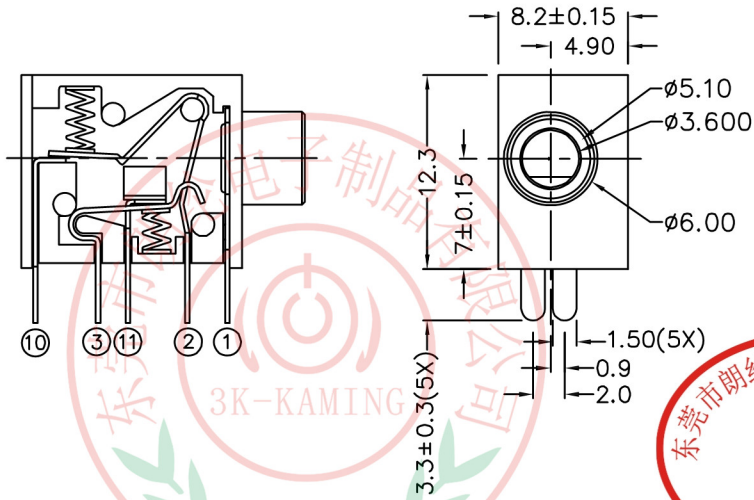


**RoHS**  
**Compatible**



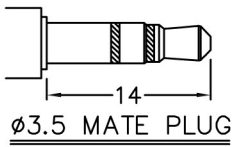
△				
△				
△				
△				
ZONE	REV	DESCRIPTION	DATE	APPD.



PCB LAYOUT (BOTTOM VIEW)



- \* MATERIAL
- TERMINAL 1 : BRASS
  - TERMINAL 2 : BRASS
  - TERMINAL 3 : BRASS
  - TERMINAL 10 : BRASS
  - TERMINAL 11 : BRASS
  - BUSHING : BRASS
  - SPRING : STAINLESS STEEL
  - HOUSING : PA6T
  - COVER : PA6T



MODEL NO.	PJ-3645	PJ-3644A	PJ-3644B	PJ-3643	PJ-3643A
SCHEMATIC					

**3K-KAMING** 东莞市朗纶电子制品有限公司  
Dongguan langlun electronic products Co., Ltd  
TEL: 86-0769-82123233 FAX: 86-0769-83536433

DESIGN	Will	SCALE		
DRAWING	Will	UNIT	mm	
CHECK	Will	SIZE	A4: 210*297	
APPROVAL	Eric	VERSION	01	

TOLERANCE UNLESS OTHERWISE STATED(mm)
less than 10 — ±0.2
10~30 — ±0.3
30~100 — ±0.5
ANGLE — ±2°

PART NAME	PHONE JACK
PART NO	PJ-364 SERIES
DRAWING NO	
DATE	2009/11/24