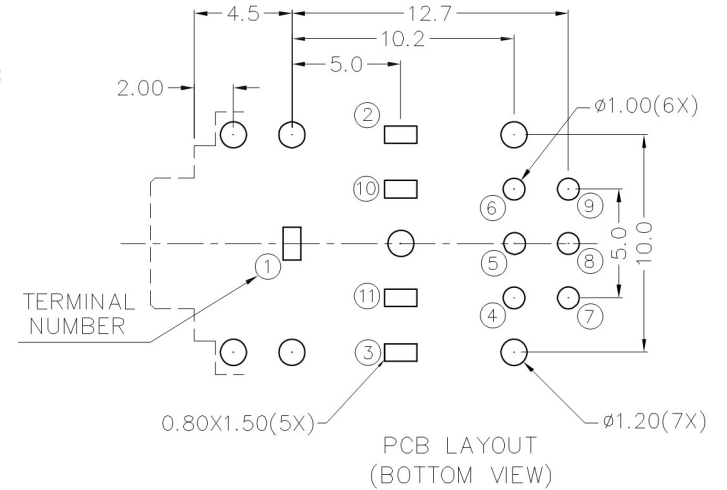
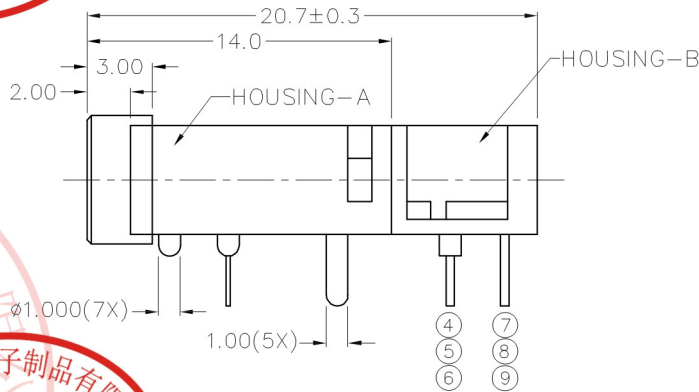
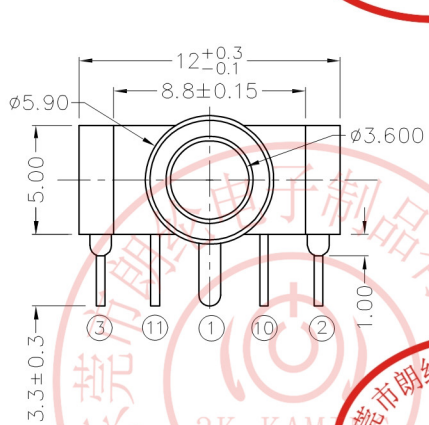
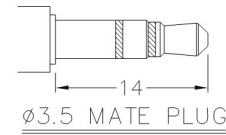
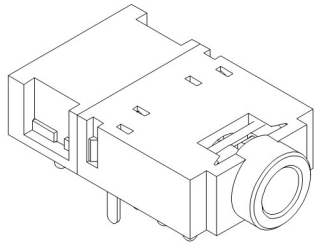


RoHS
Compatible

△				
△				
△				
△				
ZONE	REV	DESCRIPTION	DATE	APPD.



MODEL NO.	PJ-3615-22	PJ-3614A-22	PJ-3614B-22	PJ-3613-22	PJ-3613A-22	PJ-3612-22
SCHEMATIC						

***MATERIAL**

- TERMINAL 1 : COPPER ALLOY
- TERMINAL 2 : COPPER ALLOY
- TERMINAL 3 : COPPER ALLOY
- TERMINAL 10 : BRASS
- TERMINAL 11 : BRASS
- TERMINAL 4,5,6,7,8,9 : BRASS
- HOUSING-A : PBT
- HOUSING-B : PBT
- INSULATOR : PBT
- PIN BOARD : PBT
- CONTACT CLIP : C5210R-EH AG CLAD

3K-KAMING 东莞市朗纶电子制品有限公司
Dongguan langlun electronic products Co., Ltd

TEL: 86-0769-8212323 FAX: 86-0769-83536433

DESIGN	Will	SCALE		
DRAWING	Will	UNIT	mm	
CHECK	Will	SIZE	A4: 210*297	
APPROVAL	Eric	VERSION	01	

TOLERANCE UNLESS OTHERWISE STATED(mm)
less than 10 ±0.2
10~30 ±0.3
30~100 ±0.5
ANGLE ±2'

PART NAME	PHONE JACK
PART NO	PJ-361-22 SERIES
DRAWING NO	
DATE	2009/11/24