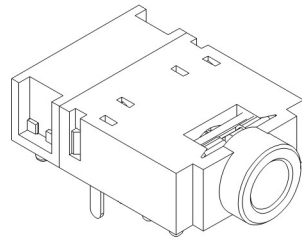
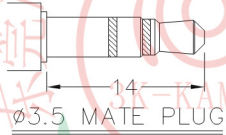
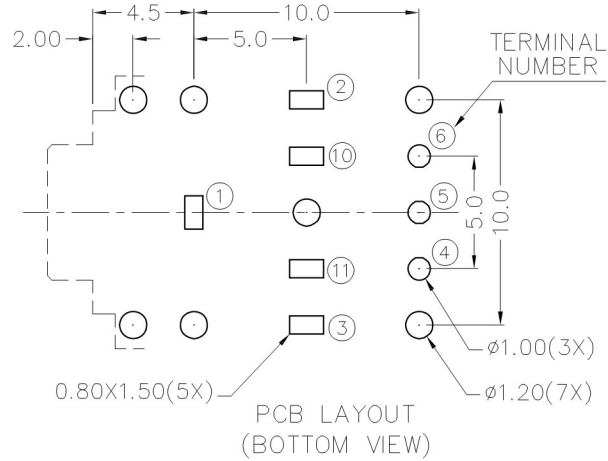
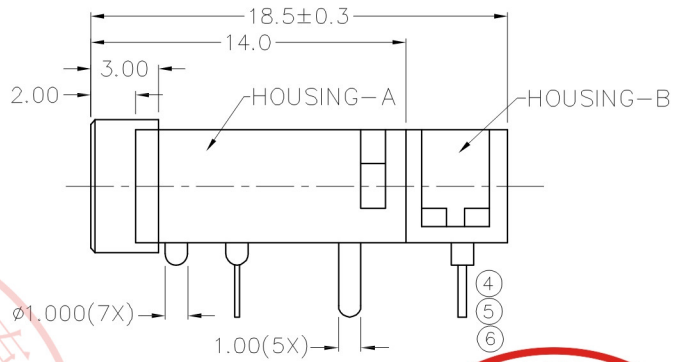
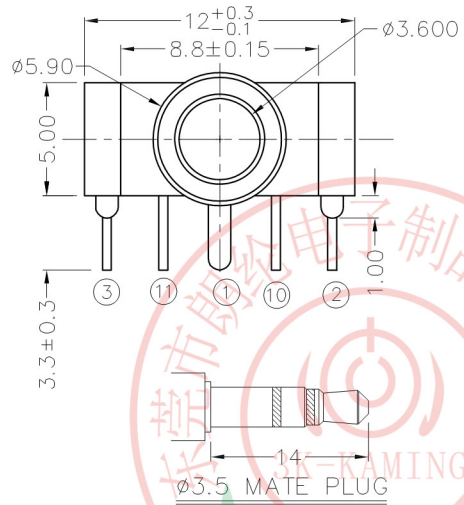


RoHS
Compatible



▲				
▲				
▲				
▲				
ZONE	REV	DESCRIPTION	DATE	APPD.



- * MATERIAL
- TERMINAL 1 : COPPER ALLOY
 - TERMINAL 2 : COPPER ALLOY
 - TERMINAL 3 : COPPER ALLOY
 - TERMINAL 10 : BRASS
 - TERMINAL 11 : BRASS
 - TERMINAL 4,5,6 : BRASS
 - BUSHING : BRASS
 - HOUSING-A : PBT
 - HOUSING-B : PBT
 - INSULATOR : PBT
 - PIN BOARD : PBT
 - CONTACT CLIP : C5210R-EH AG CLAD

MODEL NO.	PJ-3615-12	PJ-3614A-12	PJ-3614B-12	PJ-3613-12	PJ-3613A-12	PJ-3612-12
SCHEMATIC						

3K-KAMING 东莞市朗纶电子制品有限公司
Dongguan langlun electronic products Co., Ltd
TEL: 86-0769-82123233 FAX: 86-0769-83536433

DESIGN	Will	SCALE			TOLERANCE UNLESS OTHERWISE STATED(mm)
DRAWING	Will	UNIT	mm		less than 10 ±0.2
CHECK	Will	SIZE	A4: 210*297		10~30 ±0.3
APPROVAL	Eric	VERSION	01		30~100 ±0.5
					ANGLE ±2'

PART NAME	PHONE JACK
PART NO	PJ-361-12 SERIES
DRAWING NO	
DATE	2009/11/24