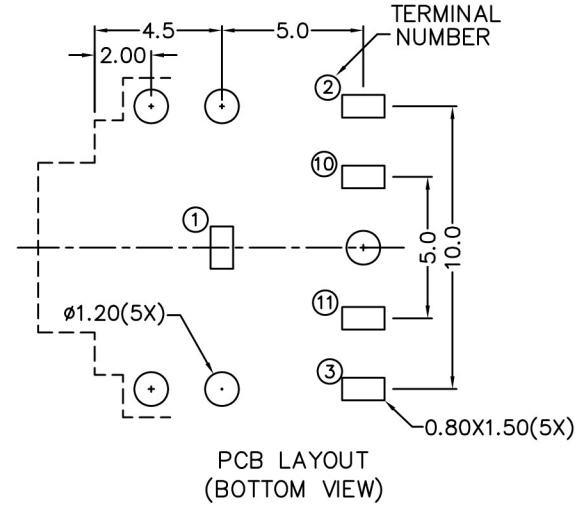
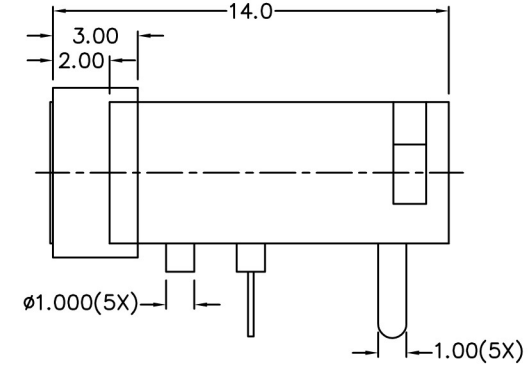
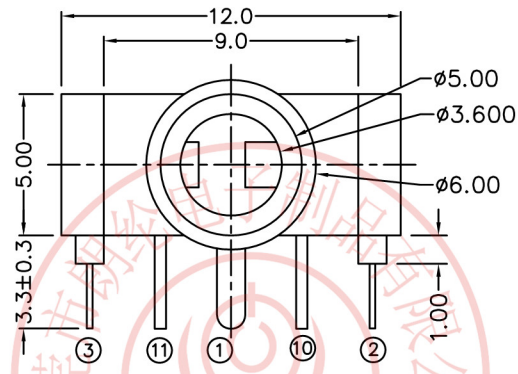
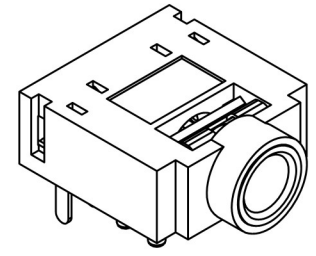


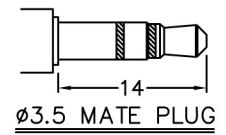
RoHS
Compatible

△				
△				
△				
△				
ZONE	REV	DESCRIPTION	DATE	APPD.



MODEL NO.	PJ-3595	PJ-3594A	PJ-3594B	PJ-3593	PJ-3593A	PJ-3592
SCHEMATIC						

***MATERIAL**
 TERMINAL 1 : COPPER ALLOY
 TERMINAL 2 : COPPER ALLOY
 TERMINAL 3 : COPPER ALLOY
 TERMINAL 10 : BRASS
 TERMINAL 11 : BRASS
 BUSHING : BRASS
 HOUSING : PBT



3K-KAMING 东莞市朗纶电子制品有限公司
 Dongguan langlun electronic products Co., Ltd
 TEL: 86-0769-82123233 FAX: 86-0769-83536433

DESIGN	Will	SCALE		
DRAWING	Will	UNIT	mm	
CHECK	Will	SIZE	A4: 210*297	
APPROVAL	Eric	VERSION	01	

TOLERANCE UNLESS OTHERWISE STATED(mm)	PART NAME	PHONE JACK
less than 10 — ±0.2	PART NO	PJ-359 SERIES
10~30 — ±0.3	DRAWING NO	
30~100 — ±0.5	DATE	2009/11/24
ANGLE — ±2°		