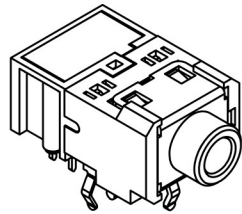
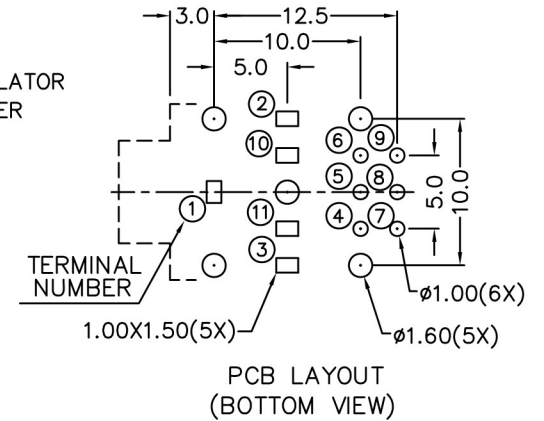
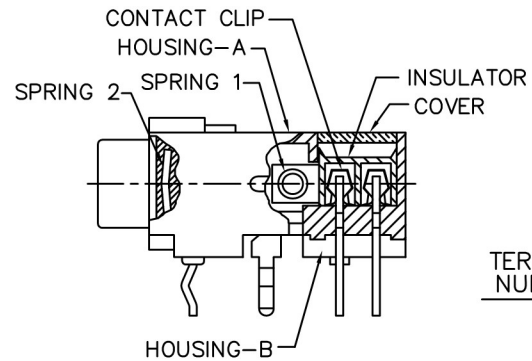
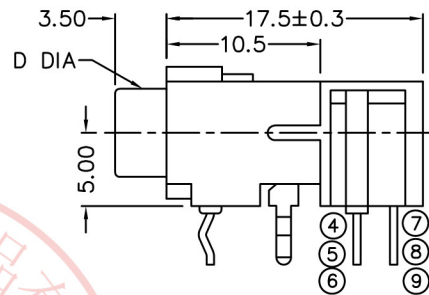
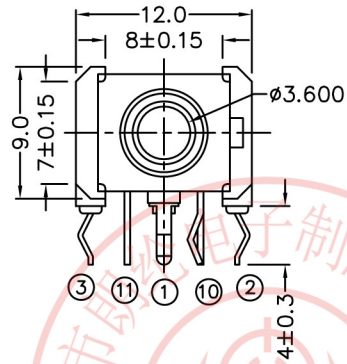


△				
△				
△				
△				
ZONE	REV	DESCRIPTION	DATE	APPD.



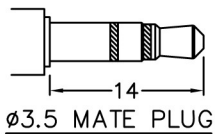
RoHS
Compatible



THREADED	M6X0.5	MODEL NO.	PJ-3575N-22	PJ-3574AN-22	PJ-3574BN-22	PJ-3573N-22	PJ-3573AN-22	PJ-3572N-22
FLASHED	φ6.0	MODEL NO.	PJ-3575F-22	PJ-3574AF-22	PJ-3574BF-22	PJ-3573F-22	PJ-3573AF-22	PJ-3572F-22
D DIA		SCHEMATIC						

*** MATERIAL**

- TERMINAL 1 : COLD ROLLED STEEL
- TERMINAL 2 : COPPER ALLOY
- TERMINAL 3 : COPPER ALLOY
- TERMINAL 10 : BRASS
- TERMINAL 11 : BRASS
- TERMINAL 4,5,6,7,8,9 : BRASS
- BUSHING : BRASS
- HOUSING-A : PBT
- HOUSING-B : PBT
- COVER : PBT
- INSULATOR : PA66
- SPRING 1 : STAINLESS STEEL
- SPRING 2 : COPPER ALLOY
- CONTACT CLIP : C5210R-EH AG CLAD



3K-KAMING 东莞市朗纶电子制品有限公司
Dongguan langlun electronic products Co., Ltd

DESIGN	Will	SCALE		
DRAWING	Will	UNIT	mm	
CHECK	Will	SIZE	A4: 210*297	
APPROVAL	Eric	VERSION	01	

TOLERANCE UNLESS OTHERWISE STATED(mm)
less than 10 — ±0.2
10~30 — ±0.3
30~100 — ±0.5
ANGLE — ±2°

PART NAME	PHONE JACK
PART NO	PJ-357-22 SERIES
DRAWING NO	
DATE	2009/11/24

TEL: 86-0769-82123233 FAX: 86-0769-83536433