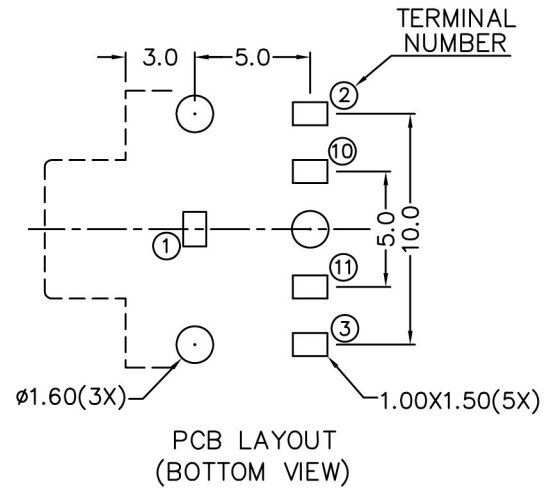
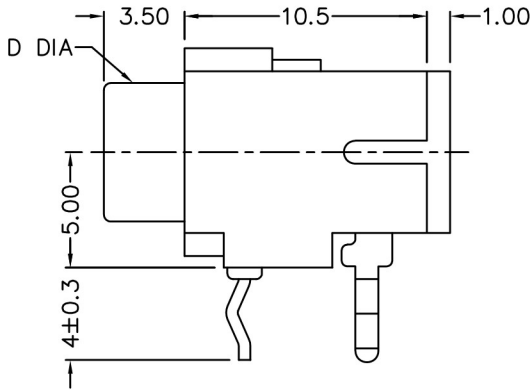
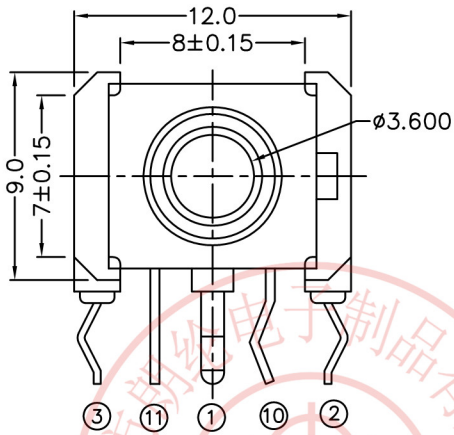


**RoHS**  
**Compatible**



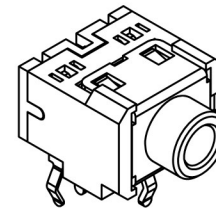
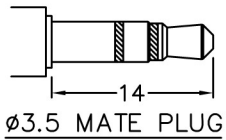
△				
△				
△				
△				
ZONE	REV	DESCRIPTION	DATE	APPD.



THREADED	M6X0.5	MODEL NO.	PJ-3575N	PJ-3574AN	PJ-3574BN	PJ-3573N	PJ-3573AN
FLASHED	Ø6.0	MODEL NO.	PJ-3575F	PJ-3574AF	PJ-3574BF	PJ-3573F	PJ-3573AF
D DIA		SCHEMATIC					

**\* MATERIAL**

- TERMINAL 1 : COLD ROLLED STEEL
- TERMINAL 2 : COPPER ALLOY
- TERMINAL 3 : COPPER ALLOY
- TERMINAL 10 : BRASS
- TERMINAL 11 : BRASS
- BUSHING : BRASS
- SPRING : STAINLESS STEEL
- HOUSING : PBT
- COVER : PBT



**3K-KAMING** 东莞市朗纶电子制品有限公司  
Dongguan langlun electronic products Co., Ltd  
TEL: 86-0769-82123233 FAX: 86-0769-83536433

DESIGN	Will	SCALE		
DRAWING	Will	UNIT	mm	
CHECK	Will	SIZE	A4: 210*297	
APPROVAL	Eric	VERSION	01	

TOLERANCE UNLESS OTHERWISE STATED(mm)
less than 10 — ±0.2
10~30 — ±0.3
30~100 — ±0.5
ANGLE — ±2'

PART NAME	PHONE JACK
PART NO	PJ-357 SERIES
DRAWING NO	
DATE	2009/11/24