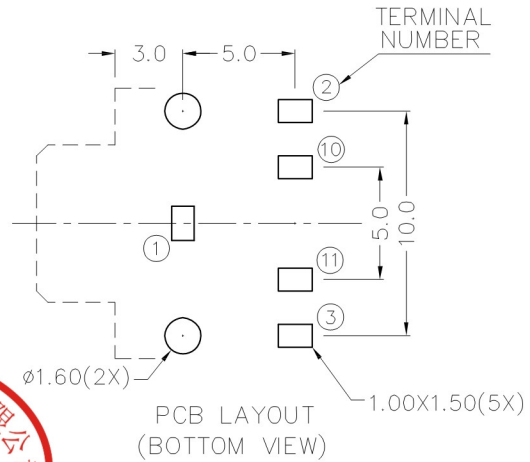
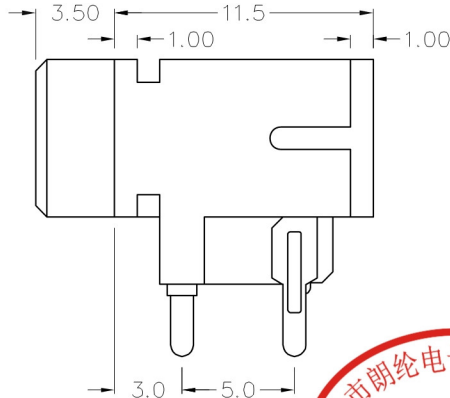
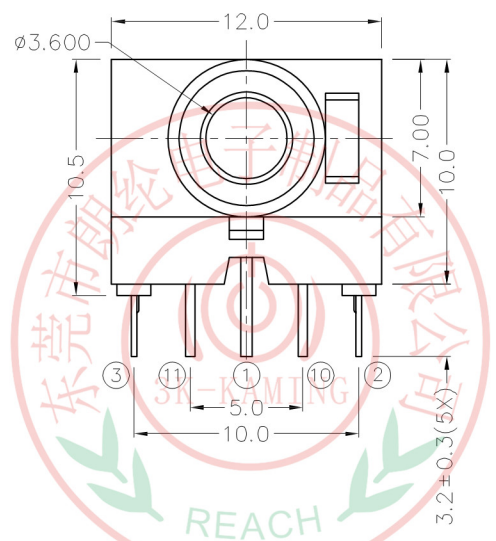
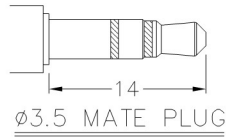
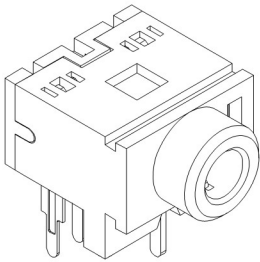


**RoHS**  
**Compatible**

|      |     |             |      |       |
|------|-----|-------------|------|-------|
| △    |     |             |      |       |
| △    |     |             |      |       |
| △    |     |             |      |       |
| △    |     |             |      |       |
| ZONE | REV | DESCRIPTION | DATE | APPD. |



| MODEL NO. | PJ-3565-2 | PJ-3564A-2 | PJ-3564B-2 | PJ-3563-2 | PJ-3563A-2 | PJ-3562-2 |
|-----------|-----------|------------|------------|-----------|------------|-----------|
| SCHMATIC  |           |            |            |           |            |           |

\* MATERIAL

TERMINAL 1 : BRASS  
 TERMINAL 2 : COPPER ALLOY  
 TERMINAL 3 : COPPER ALLOY  
 TERMINAL 10 : BRASS  
 TERMINAL 11 : BRASS  
 HOUSING : PBT  
 COVER : PBT

东莞市朗纶电子制品有限公司  
 Dongguan langlun electronic products Co., Ltd

|          |      |         |             |  |
|----------|------|---------|-------------|--|
| DESIGN   | Will | SCALE   |             |  |
| DRAWING  | Will | UNIT    | mm          |  |
| CHECK    | Will | SIZE    | A4: 210*297 |  |
| APPROVAL | Eric | VERSION | 01          |  |

|                                       |
|---------------------------------------|
| TOLERANCE UNLESS OTHERWISE STATED(mm) |
| less than 10 — ±0.2                   |
| 10~30 — ±0.3                          |
| 30~100 — ±0.5                         |
| ANGLE — ±2'                           |

|            |                 |
|------------|-----------------|
| PART NAME  | PHONE JACK      |
| PART NO    | PJ-356-2 SERIES |
| DRAWING NO |                 |
| DATE       | 2009/11/24      |

TEL: 86-0769-8212323 FAX: 86-0769-83536433