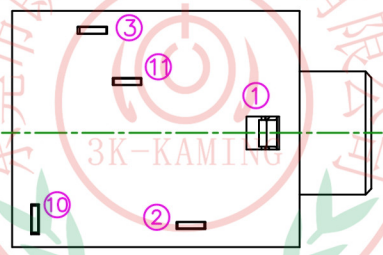
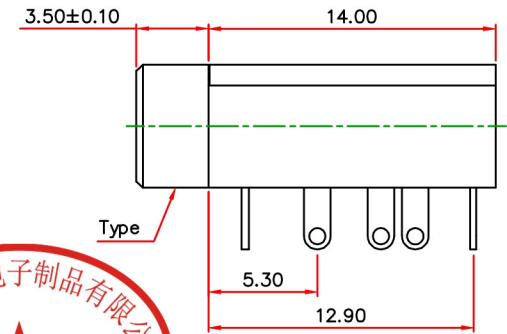
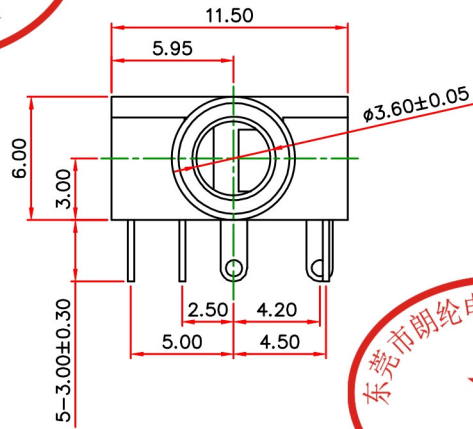
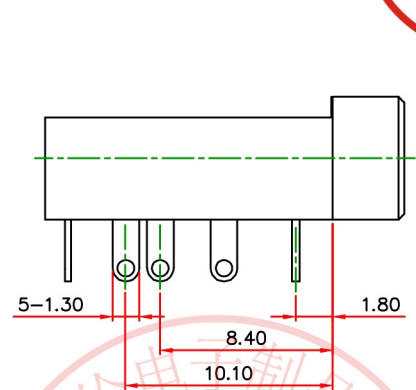


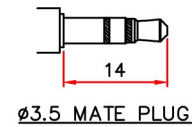
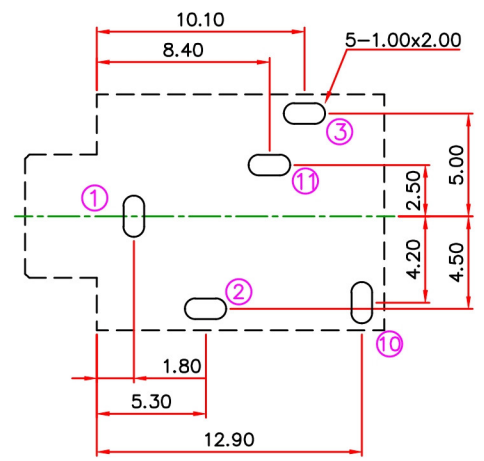
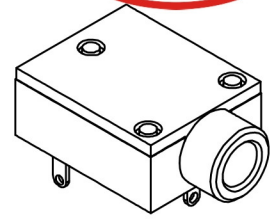
△				
△				
△				
△				
ZONE	REV	DESCRIPTION	DATE	APPD.



RoHS
Compatible



Material :
 TERMINAL 1 : Brass, Ag Plated
 TERMINAL 2 : Brass, Ag Plated
 TERMINAL 3 : Brass, Ag Plated
 TERMINAL 10 : Brass, Ag Plated
 TERMINAL 11 : Brass, Ag Plated
 HOUSING : PBT
 BUSHING : Brass, Ni Plated
 COVER : PBT
 SPRING : Stainless steel



THREADED	M6X0.5	Model	PJ-3525N	PJ-3524AN	PJ-3524BN	PJ-3523N	PJ-3523AN
FLASHED	$\phi 6.0$	Model	PJ-3525F	PJ-3524AF	PJ-3524BF	PJ-3523F	PJ-3523AF
Type		SCHEMATIC					

3K-KAMING 东莞市朗纶电子制品有限公司
 Dongguan langlun electronic products Co., Ltd

DESIGN	Eason	SCALE		
DRAWING	Eason	UNIT	mm	
CHECK	Eason	SIZE	A4: 210*297	
APPROVAL	Honda	VERSION	03	

TOLERANCE UNLESS OTHERWISE STATED(mm)
0 ——— ±0.35
0.0 ——— ±0.30
0.00 ——— ±0.20
ANGLE ——— ±2°

PART NAME	PHONE JACK
PART NO	PJ-352x Series
DRAWING NO	
DATE	2019/01/15

TEL: 86-0769-82123233 FAX: 86-0769-83536433