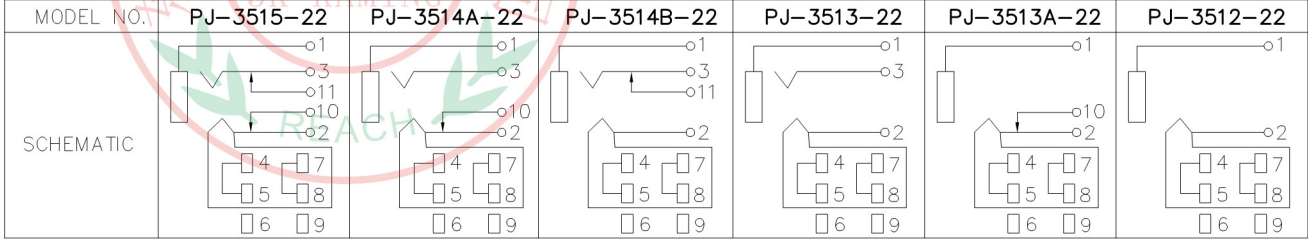
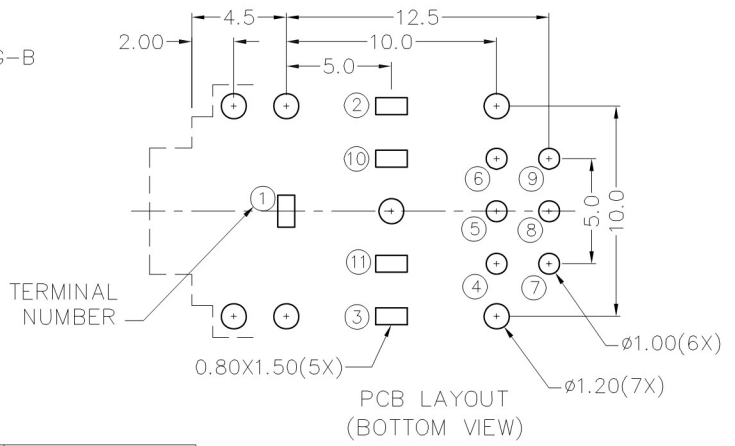
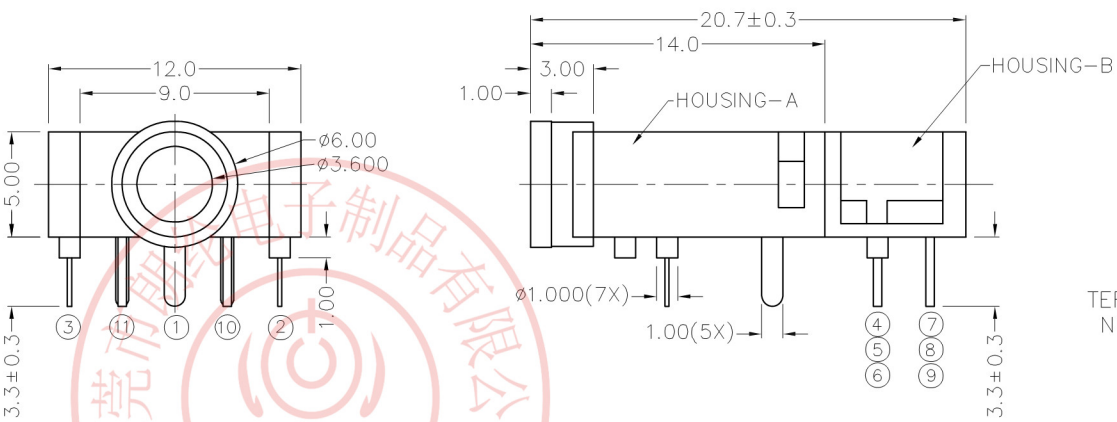
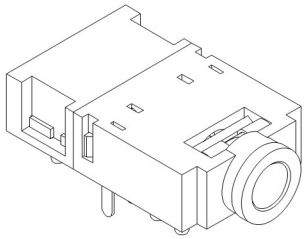
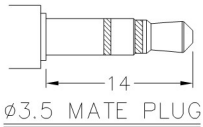


△				
△				
△				
△				
ZONE	REV	DESCRIPTION	DATE	APPD.

RoHS
Compatible



- *MATERIAL**
- TERMINAL 1 : COPPER ALLOY
 - TERMINAL 2 : COPPER ALLOY
 - TERMINAL 3 : COPPER ALLOY
 - TERMINAL 10 : BRASS
 - TERMINAL 11 : BRASS
 - TERMINAL 4,5,6,7,8,9 : BRASS
 - BUSHING : BRASS
 - HOUSING-A : PBT
 - HOUSING-B : PBT
 - INSULATOR : PBT
 - PIN BOARD : PBT
 - CONTACT CLIP : C5210R-EH AG CLAD



3K-KAMING 东莞市朗纶电子制品有限公司
Dongguan langlun electronic products Co., Ltd

DESIGN	Will	SCALE		
DRAWING	Will	UNIT	mm	
CHECK	Will	SIZE	A4: 210*297	
APPROVAL	Eric	VERSION	01	

TOLERANCE UNLESS OTHERWISE STATED(mm)	
less than 10	± 0.2
10~30	± 0.3
30~100	± 0.5
ANGLE	$\pm 2'$

PART NAME	PHONE JACK
PART NO	PJ-351-22 SERIES
DRAWING NO	
DATE	2009/11/24

TEL: 86-0769-8212323 FAX: 86-0769-83536433