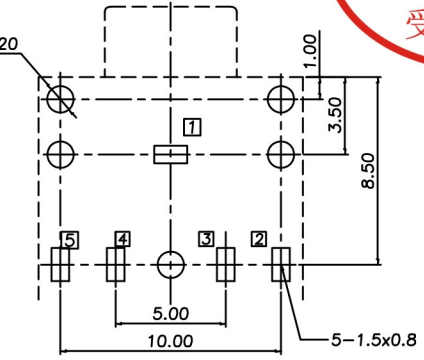
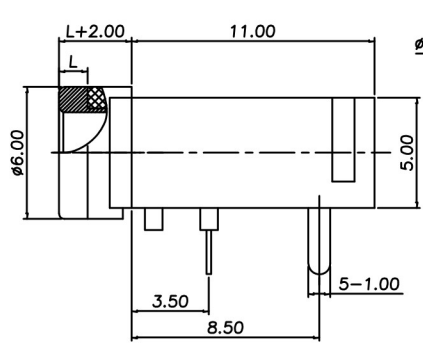
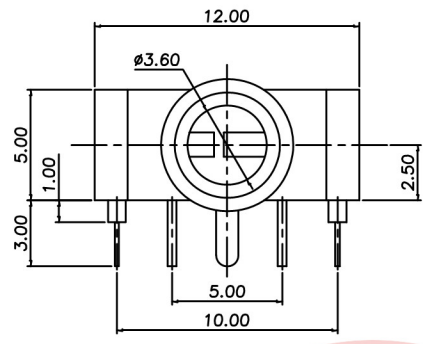


△				
△				
△				
△				
ZONE	REV	DESCRIPTION	DATE	APPD.



RoHS
Compatible

P.C.B Mounting
pattern Dimension

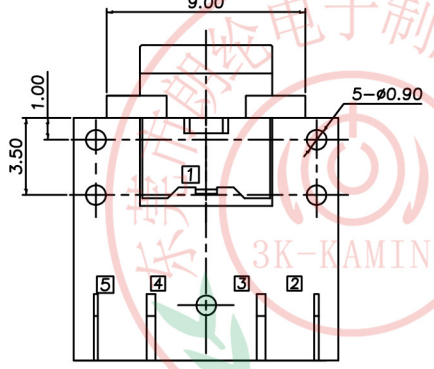


Remark No.	L	Bushing Plated	Housing Material
00	1.30	Nickel	Have Halogen
10	1.00	Nickel	
0G	1.30	Gold	
1G	1.00	Gold	
H0	1.30	Nickel	Halogen Free
H1	1.00	Nickel	
HA	1.30	Gold	
HB	1.00	Gold	

Order Information:

PJ-351 - - - S057

- Terminal Plated : Blank-Sn / S-Silver / G-Gold
- Housing Color : Blank-Black / GR-Green / WH-White
- Bushing Plated And Legth
- Circuit Diagram



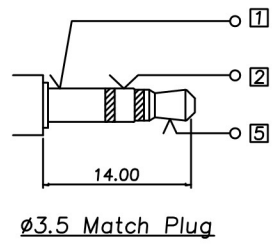
Model No.	PJ-3515	PJ-3515A	PJ-3514B	PJ-3513	PJ-3513A	PJ-3512
Schematic						

□: Terminal No.



Specification :

1. Rating: DC 30V 0.5A;
2. Contact resistance: ≤ 50mΩ;
3. Insulation resistance: ≥ 100MΩ(DC500V);
4. Withstand voltage: 500VAC;
5. Insertion and extraction force: 3-30N;
6. Life test: 5,000 cycles Min.



⑦	Bushing	Copper Alloy	1	Ni Plated
⑥	Tip Terminal ⑤	Stainless	1	See Order Information
⑤	Shunt Terminal ④	Copper Alloy	1	
④	Shunt Terminal ③	Copper Alloy	1	
③	Ring Spring ②	Stainless Steel	1	
②	Earth Spring ①	Copper Alloy	1	
①	Housing	PBT	1	
No.	Part Name	Material	Q"ty	

3K-KAMING 东莞市朗纶电子制品有限公司
Dongguan langlun electronic products Co., Ltd

TEL: 86-0769-82123233 FAX: 86-0769-83536433

DESIGN	Will	SCALE	
DRAWING	Will	UNIT	mm
CHECK	Will	SIZE	A4: 297*210
APPROVAL	Eric	VERSION	01

TOLERANCE UNLESS OTHERWISE STATED(mm)	PART NAME	PHONE JACK
less than 10 — ±0.3	PART NO	PJ-351-S057 SERIES
10~30 — ±0.4	DRAWING NO	
30~100 — ±0.5	DATE	2012/11/14
ANGIE — ±2'		