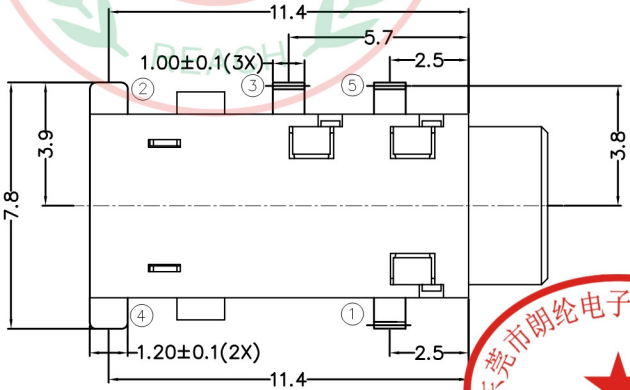
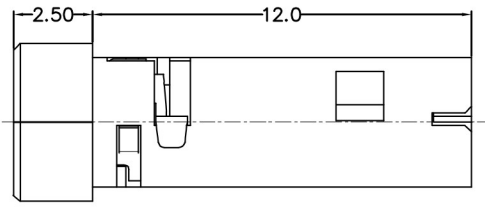
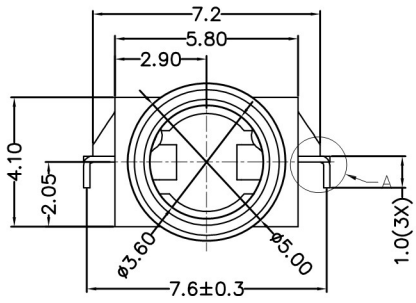
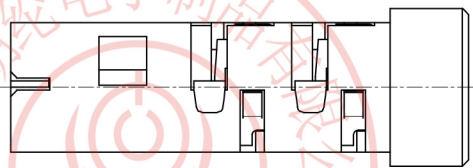
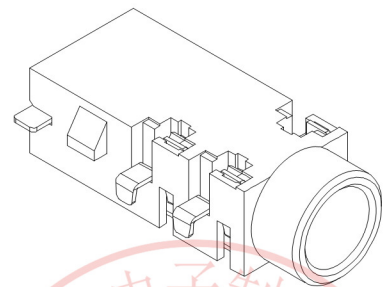
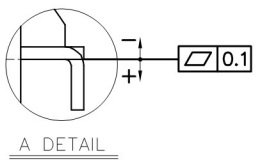
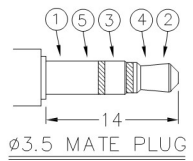
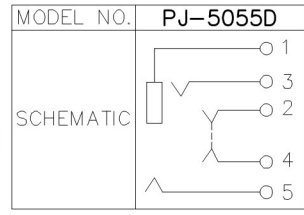
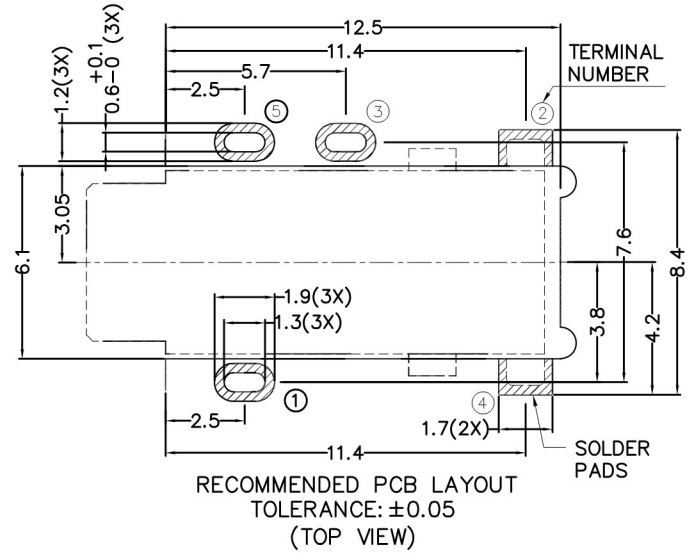


RoHS
Compatible

△				
△				
△				
△				
ZONE	REV	DESCRIPTION	DATE	APPD.



TERMINAL 1 : COPPER ALLOY,GOLD FLASH
 TERMINAL 2 : COPPER ALLOY,GOLD FLASH
 TERMINAL 3 : COPPER ALLOY,GOLD FLASH
 TERMINAL 4 : COPPER ALLOY,GOLD FLASH
 TERMINAL 5 : COPPER ALLOY,GOLD FLASH
 HOUSING : PA10T



3K-KAMING 东莞市朗纶电子制品有限公司
 Dongguan langlun electronic products Co., Ltd
 TEL: 86-0769-82123233 FAX: 86-0769-83536433

DESIGN	Sean	SCALE		
DRAWING	Sean	UNIT	mm	
CHECK	Sean	SIZE	A4: 210*297	
APPROVAL	Honda	VERSION	02	

TOLERANCE UNLESS OTHERWISE STATED(mm)	PART NAME	PHONE JACK
0 ——— ±0.5	PART NO	PJ-5055D
0.0 ——— ±0.25	DRAWING NO	
0.00 ——— ±0.15	DATE	2016/12/05
ANGLE ——— ±2°		