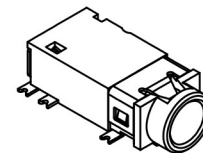
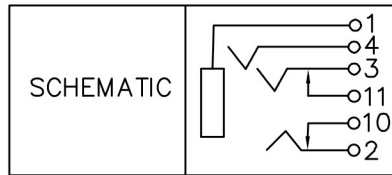
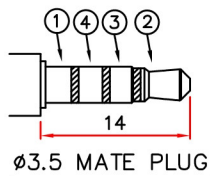
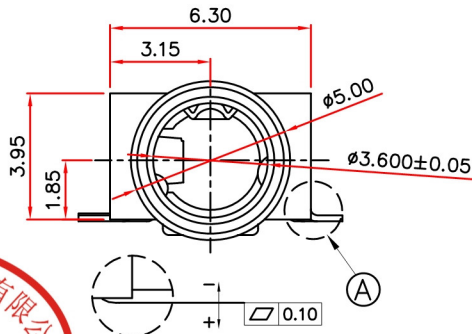
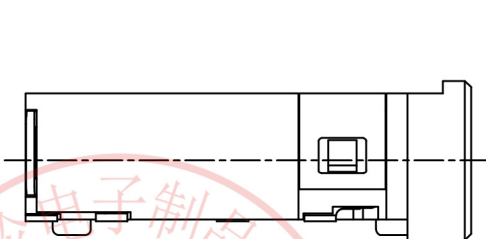


△				
△				
△				
ZONE	REV	DESCRIPTION	DATE	APPD.

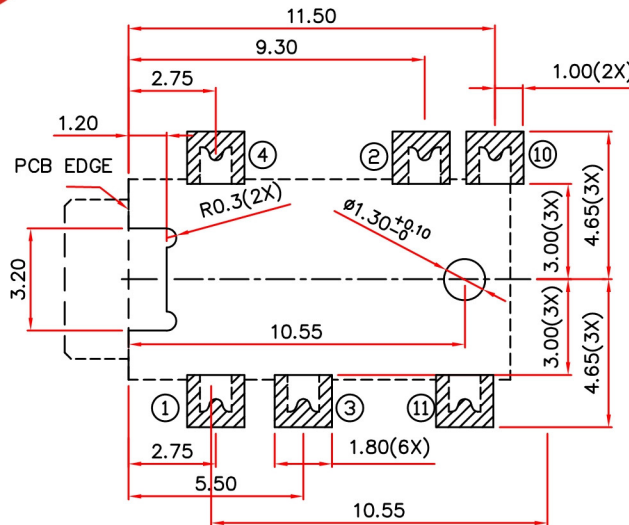
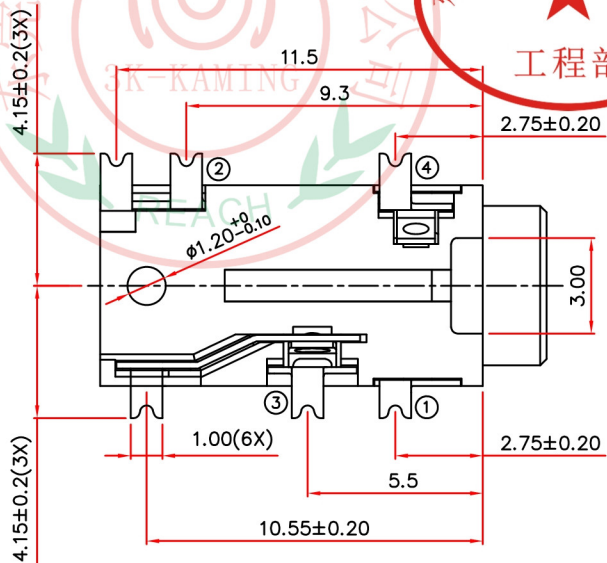


RoHS
Compatible



A detail Coplanarity

RECOMMENDED PCB LAYOUT
TOLERANCE: ±0.05mm(TOP VIEW)



Specification

- Rating : DC 12V, 1A.
- Contact resistance : ≤ 50mΩ;
After test: ≤100mΩ.
- Insulation resistance : ≥100MΩ (500 VDC)
After test: ≤50MΩ
- Withstand voltage : 500VAC.
- Insertion and extraction force : 3N~30N.
- life test : 5,000 cycles min.

7	Terminal 11	Copper Alloy	1	Au Plated
6	Terminal 10	Copper Alloy	1	Au Plated
5	Terminal 4	Copper Alloy	1	Au Plated
4	Terminal 3	Copper Alloy	1	Au Plated
3	Terminal 2	Copper Alloy	1	Au Plated
2	Terminal 1	Copper Alloy	1	Au Plated
1	Housing	PA10T	1	Black
No.	Part Name	Material	Q'ty	Remarks

3K-KAMING 东莞市朗纶电子制品有限公司
Dongguan langlun electronic products Co., Ltd

TEL: 86-0769-82123233 FAX: 86-0769-83536433

DESIGN	Jeff	SCALE			TOLERANCE UNLESS OTHERWISE STATED(mm) 0 ——— ±0.30 0.0 ——— ±0.20 0.00 ——— ±0.10 ANGLE ——— ±2°
DRAWING	Jeff	UNIT	mm		
CHECK	Jeff	SIZE	A4: 210*297		
APPROVAL	Honda	VERSION	01		

PART NAME	PHONE JACK
PART NO	PJ-3956D
DRAWING NO	
DATE	2019/08/02