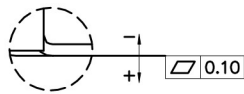
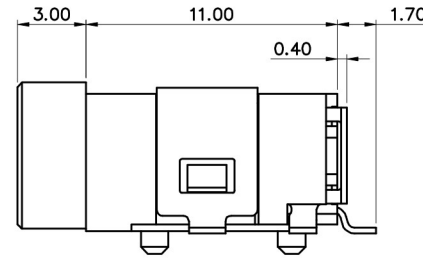
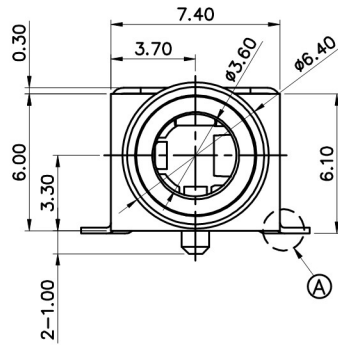
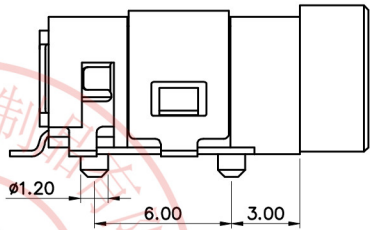
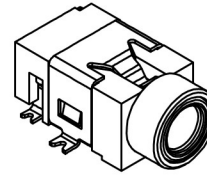


△				
△				
△				
△				
ZONE	REV	DESCRIPTION	DATE	APPD.

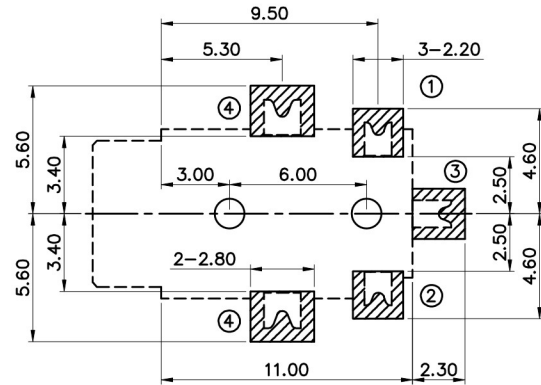
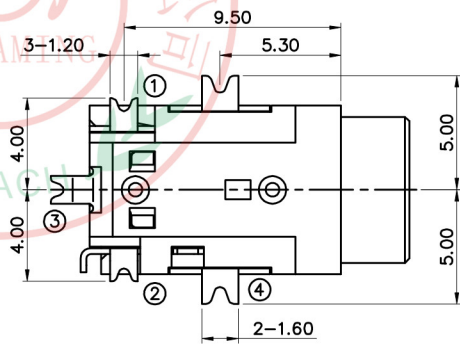


RoHS
Compatible

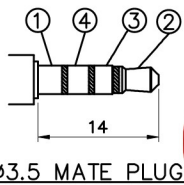


A detail Coplanarity

RECOMMENED P.C.B MOUNTING
PATTERN DIMENSION



Material :
Terminal 1: Copper Alloy, Ag Plated
Terminal 2: Copper Alloy, Ag Plated
Terminal 3: Copper Alloy, Ag Plated
Terminal 4: Copper Alloy, Ag Plated
Bushing : Brass, Ni Plated
Plastic : PA10T



Ø3.5 MATE PLUG



	PJ-3944DM	PJ-3943DM
SCHEMATIC		

3K-KAMING 东莞市朗纶电子制品有限公司
Dongguan langlun electronic products Co., Ltd

DESIGN	Eason	SCALE	
DRAWING	Eason	UNIT	mm
CHECK	Eason	SIZE	A4: 210*297
APPROVAL	Honda	VERSION	02

TOLERANCE UNLESS OTHERWISE STATED(mm)
0 — ±0.30
0.0 — ±0.25
0.00 — ±0.20
ANGLE — ±2°

PART NAME	3.5mm PHONE JACK
PART NO	PJ-394DM Series
DRAWING NO	
DATE	2018/12/18

TEL: 86-0769-82123233 FAX: 86-0769-83536433