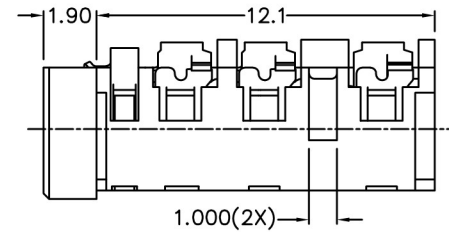
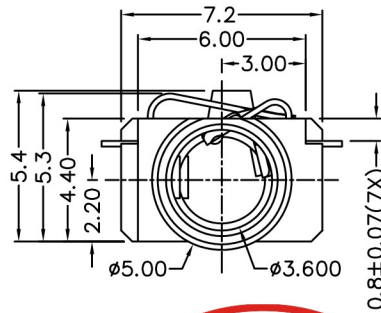
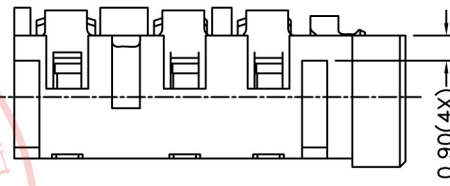
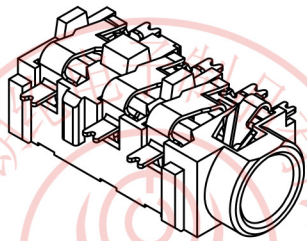


RoHS
Compatible

△				
△				
△				
△				
ZONE	REV	DESCRIPTION	DATE	APPD.

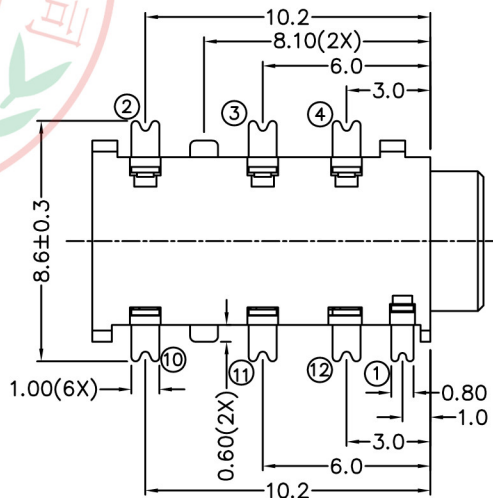
MODEL NO.	PJ-3927D	PJ-3926AD	PJ-3925AD	PJ-3925BD	PJ-3924D
SCHMATIC					



3K-KAMING

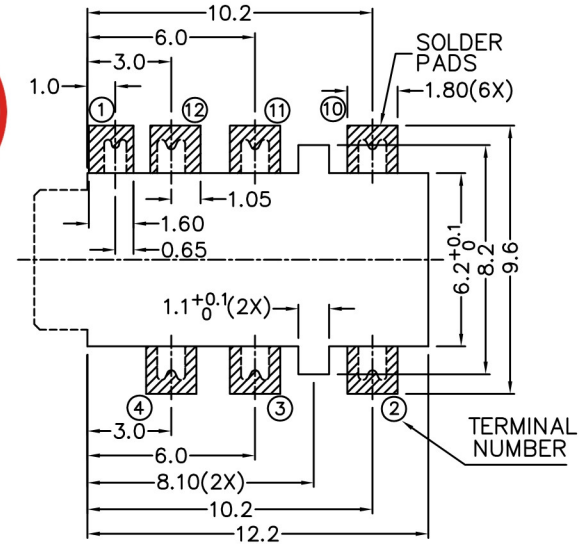
REACH

Ø3.5 MATE PLUG



*** MATERIAL**

- TERMINAL 1 : COPPER ALLOY
- TERMINAL 2 : COPPER ALLOY
- TERMINAL 3 : COPPER ALLOY
- TERMINAL 4 : COPPER ALLOY
- TERMINAL 10: COPPER ALLOY
- TERMINAL 11: COPPER ALLOY
- TERMINAL 12: COPPER ALLOY
- HOUSING : PA6T



RECOMMENDED
SOLDER PAD LAYOUT

东莞市朗纶电子制品有限公司
Dongguan langlun electronic products Co., Ltd

DESIGN	Will	SCALE		
DRAWING	Will	UNIT	mm	
CHECK	Will	SIZE	A4: 210*297	
APPROVAL	Eric	VERSION	01	

TOLERANCE UNLESS OTHERWISE STATED(mm)
less than 10 — ±0.2
10~30 — ±0.3
30~100 — ±0.5
ANGLE — ±2°

PART NAME	PHONE JACK
PART NO	PJ-392D SERIES
DRAWING NO	
DATE	2009/11/30

TEL: 86-0769-82123233 FAX: 86-0769-83536433