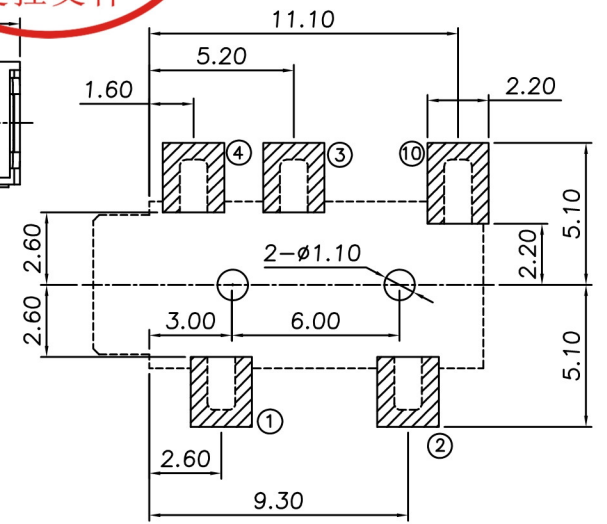
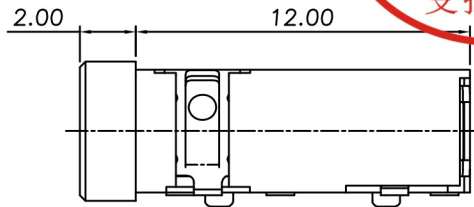
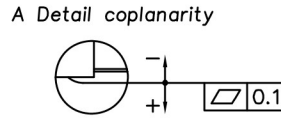
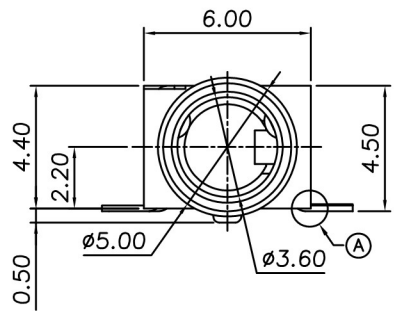
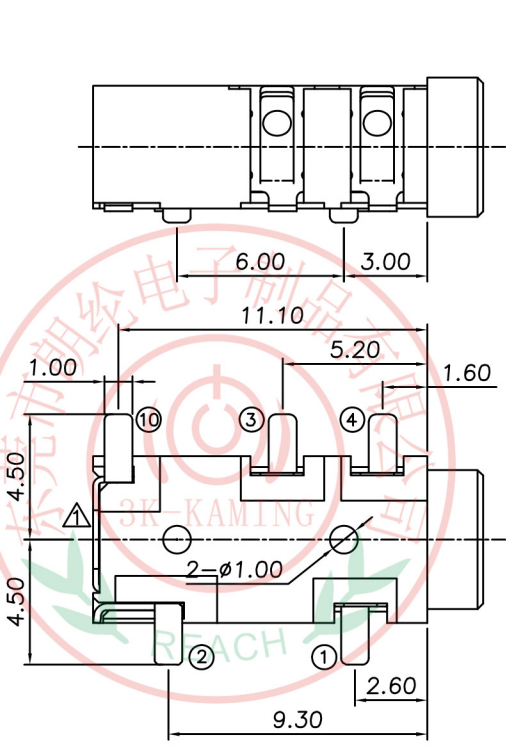


△				
△				
△				
△	02	修改端子與本體	2012/10/02	Will Chang
ZONE	REV	DESCRIPTION	DATE	APPD.

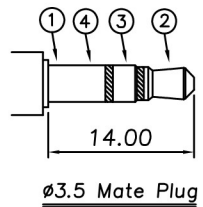


RoHS
Compatible

P.C.B Mounting
pattern Dimension



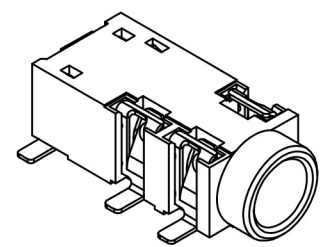
Order Information:
PJ-386_D
SCHEMATIC



Model No.	PJ-3865D	PJ-3864D	PJ-3864AD	PJ-3863D	PJ-3863AD
Schematic					

Specifications

1. Rating : 12V 1A Max.
2. Contact resistance: 30mΩ Max.
3. Insulation resistance : 100MΩ Min.
4. Withstand voltage : 500VAC
5. Insertion and extraction force : 0.3-2Kgf
6. Life test : 5,000 cycles Min.
7. Operating temperature : -25°C~85°C



6	Terminal 10	Brass	1	Sn Plated
5	Terminal 4	Copper Alloy	1	Sn Plated
4	Terminal 3	Copper Alloy	1	Sn Plated
3	Terminal 2	Copper Alloy	1	Sn Plated
2	Terminal 1	Copper Alloy	1	Sn Plated
1	Plastic Housing	PA6T	1	Black
No.	Part Name	Material	Q'ty	Finishing

3K-KAMING 东莞市朗纶电子制品有限公司
Dongguan langlun electronic products Co., Ltd
TEL: 86-0769-82123233 FAX: 86-0769-83536433

DESIGN	Will	SCALE		 TOLERANCE UNLESS OTHERWISE STATED(mm) less than 10 — ±0.2 10~30 — ±0.3 30~100 — ±0.4 ANGLE — ±2°	PART NAME	PHONE JACK
DRAWING	Will	UNIT	mm		PART NO	PJ-386D SERIES
CHECK	Will	SIZE	A4: 210*297		DRAWING NO	
APPROVAL	Eric	VERSION	02		DATE	2012/10/02