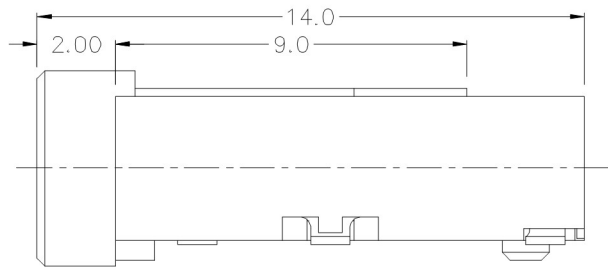
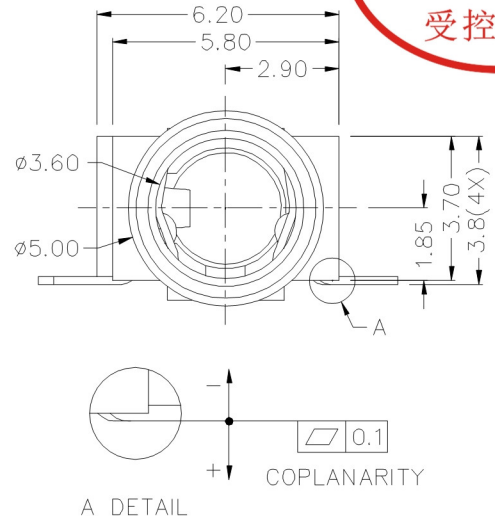
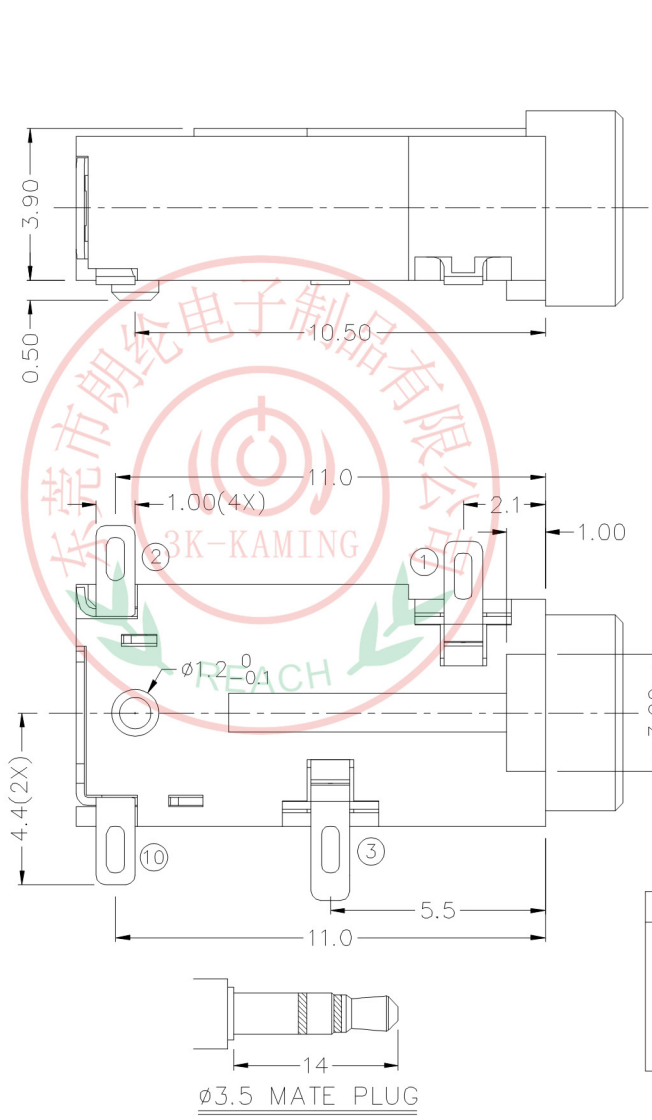


RoHS
Compatible

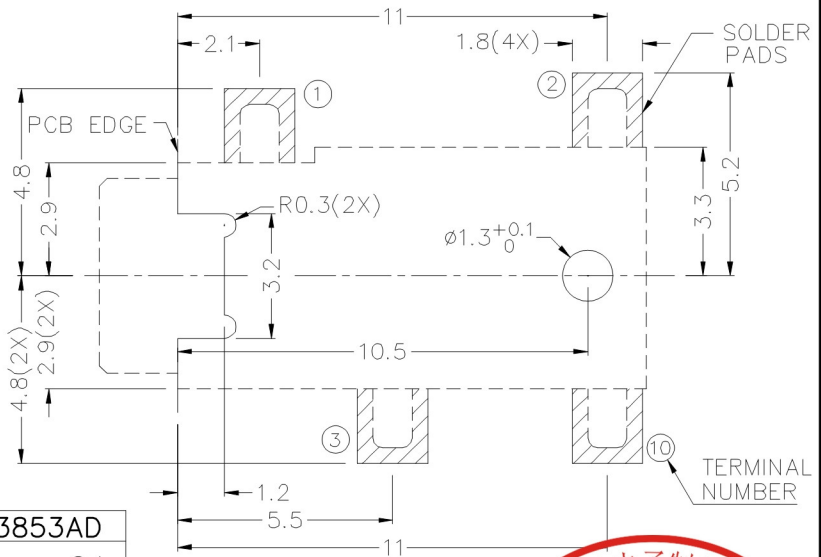


▲				
▲				
▲				
▲				
ZONE	REV	DESCRIPTION	DATE	APPD.



* MATERIAL
 TERMINAL 1 : COPPER ALLOY, GOLD FLASH
 TERMINAL 2 : COPPER ALLOY, GOLD FLASH
 TERMINAL 3 : COPPER ALLOY, GOLD FLASH
 TERMINAL 10: BRASS, GOLD FLASH
 HOUSING : PA10T

MODEL NO.	PJ-3854D	PJ-3853D	PJ-3853AD
SCHEMATIC			



RECOMMENDED PCB LAYER THICKNESS
 TOLERANCE: ±0.05 (TOP VIEW)



东莞市朗纶电子制品有限公司 Dongguan langlun electronic products Co., Ltd TEL: 86-0769-82123233 FAX: 86-0769-83536433	DESIGN	Sean	SCALE			TOLERANCE UNLESS OTHERWISE STATED(mm)	PART NAME	PHONE JACK
	DRAWING	Sean	UNIT	mm		0 ——— ±0.5	PART NO	PJ-385 SERIES
	CHECK	Sean	SIZE	A4: 210*297		0.0 ——— ±0.25	DRAWING NO	
	APPROVAL	Honda	VERSION	03		0.00 ——— ±0.15	DATE	2017/06/05
						ANGLE ——— ±2°		