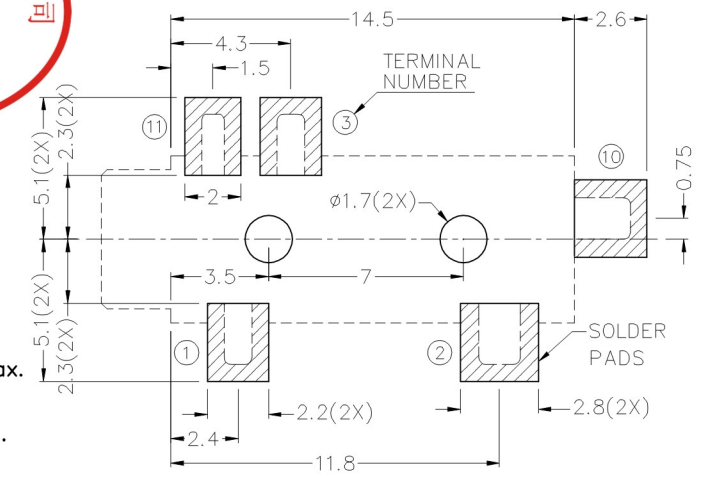
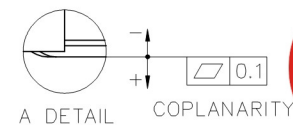
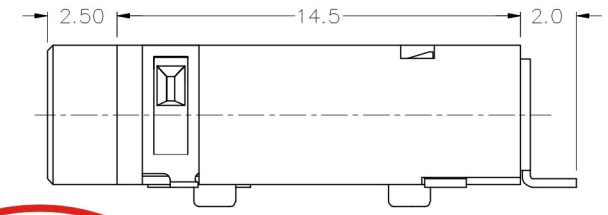
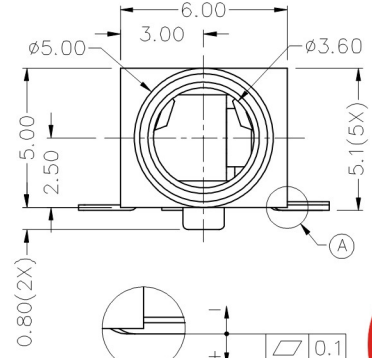
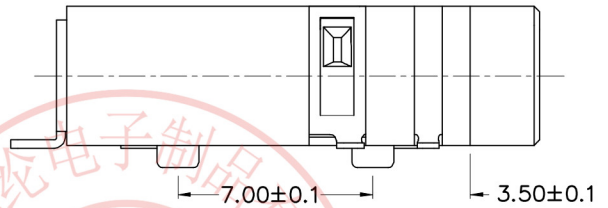
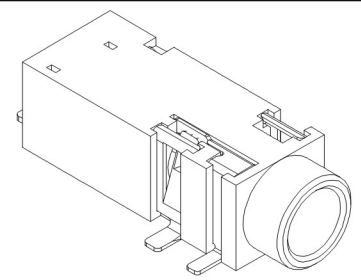


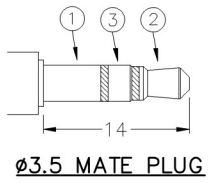
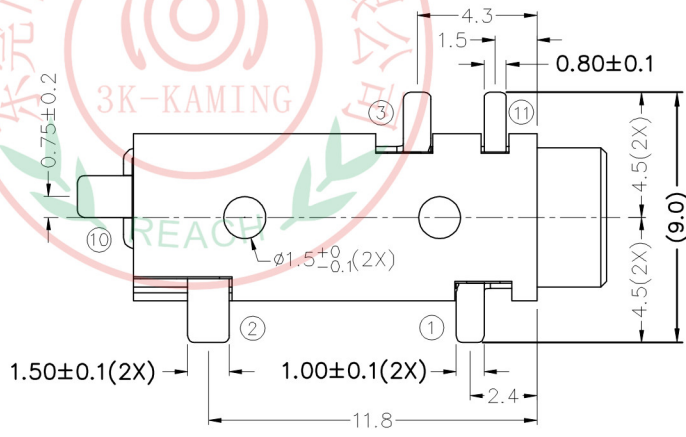
RoHS
Compatible

▲				
▲				
▲				
▲				
ZONE	REV	DESCRIPTION	DATE	APPD.



Material :
 TERMINAL 1 : Copper Alloy, Ag Plated
 TERMINAL 2 : Copper Alloy, Ag Plated
 TERMINAL 3 : Copper Alloy, Ag Plated
 TERMINAL 10 : Brass, Ag Plated
 TERMINAL 11 : Copper Alloy, Ag Plated
 HOUSING : PA10T

- Specifications**
1. Rating : DC 12V, 1A Max.
 2. Contact resistance : 50mΩ Max (initial), 100mΩ Max.
 3. Insulation resistance : 100MΩ Min (initial).
 4. Insertion and Withdrawal force : 0.3~3kgs at initial. and 0.2~2kgs after life test.
 5. Operating life : 5,000 cycles.



MODEL NO.	PJ-3695D	PJ-3694AD	PJ-3694BD	PJ-3693D	PJ-3693AD
SCHEMATIC					

RECOMMENDED PCB LAYOUT
TOLERANCE: ±0.05
(TOP VIEW)

<p>东莞市朗纶电子制品有限公司 Dongguan langlun electronic products Co., Ltd</p> <p>TEL: 86-0769-82123233 FAX: 86-0769-83536433</p>	DESIGN	Sean	SCALE		<p>TOLERANCE UNLESS OTHERWISE STATED(mm)</p> <p>0 _____ ±0.50</p> <p>0.0 _____ ±0.25</p> <p>0.00 _____ ±0.15</p> <p>ANGLE _____ ±2°</p>	PART NAME	PHONE JACK
	DRAWING	Sean	UNIT	mm		PART NO	PJ-369D SERIES
	CHECK	Sean	SIZE	A4: 210*297		DRAWING NO	
	APPROVAL	Honda	VERSION	02		DATE	2017/02/13