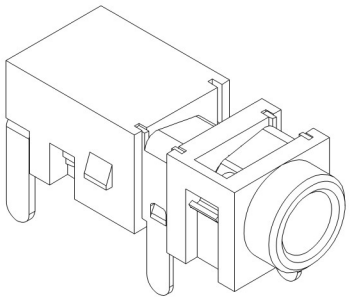
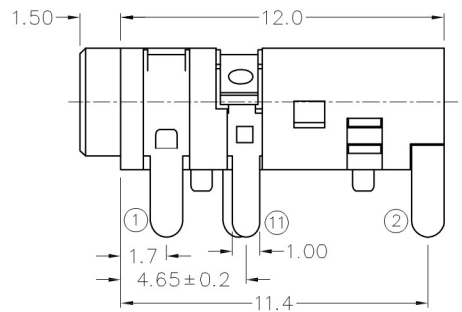
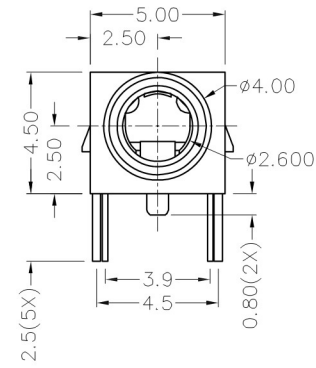
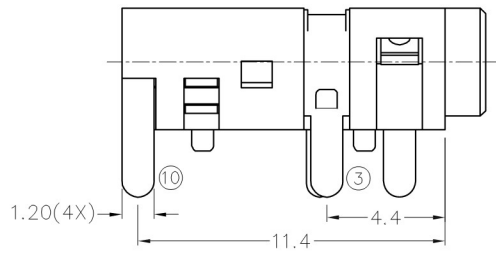


RoHS
Compatible

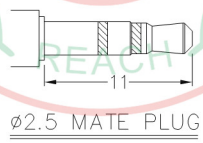
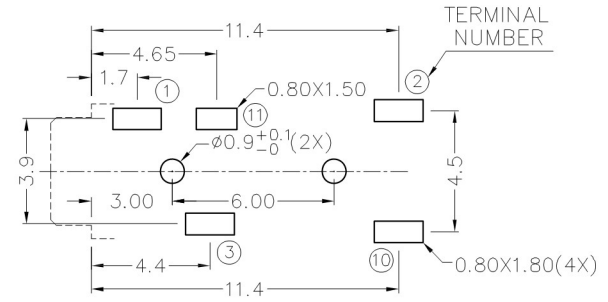
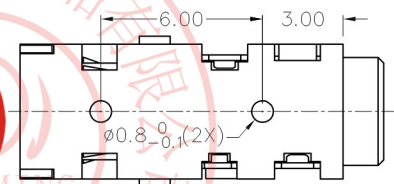


△				
△				
△				
△				
ZONE	REV	DESCRIPTION	DATE	APPD.

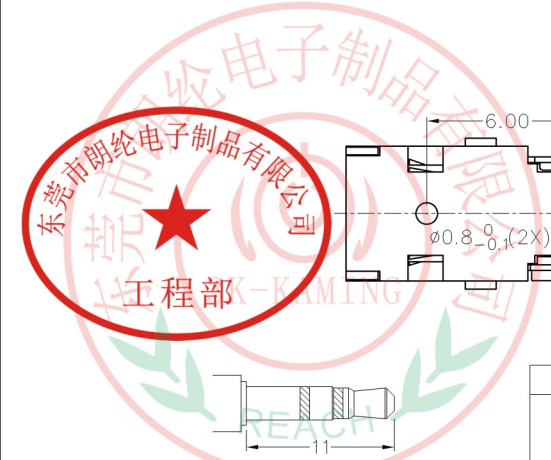


* MATERIAL

- TERMINAL 1 : COPPER ALLOY
- TERMINAL 2 : COPPER ALLOY
- TERMINAL 3 : COPPER ALLOY
- TERMINAL 10: BRASS
- TERMINAL 11: BRASS
- HOUSING : PA66



MODEL NO.	PJ-2915	PJ-2914A	PJ-2914B	PJ-2913	PJ-2913A
SCHEMATIC					



3K-KAMING 东莞市朗纶电子制品有限公司
Dongguan langlun electronic products Co., Ltd
TEL: 86-0769-82123233 FAX: 86-0769-83536433

DESIGN	Will	SCALE		
DRAWING	Will	UNIT	mm	
CHECK	Will	SIZE	A4: 210*297	
APPROVAL	Eric	VERSION	01	

TOLERANCE UNLESS OTHERWISE STATED(mm)	PART NAME	PHONE JACK
less than 10 — ±0.2	PART NO	PJ-291 SERIES
10~30 — ±0.3	DRAWING NO	
30~100 — ±0.5	DATE	2009/11/24
ANGLE — ±2'		