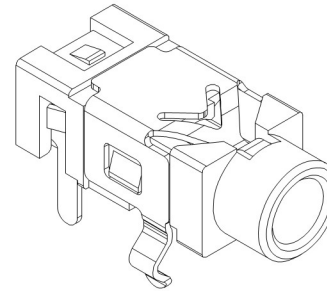
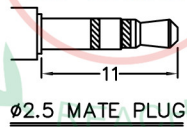
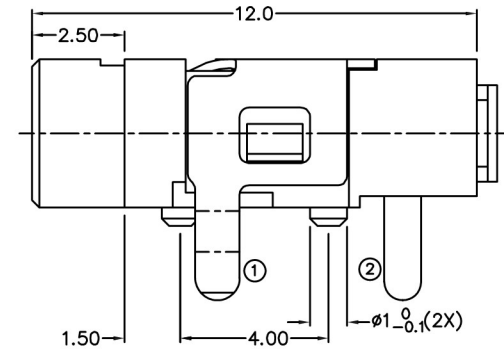
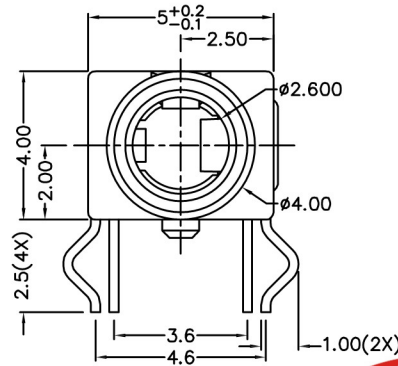
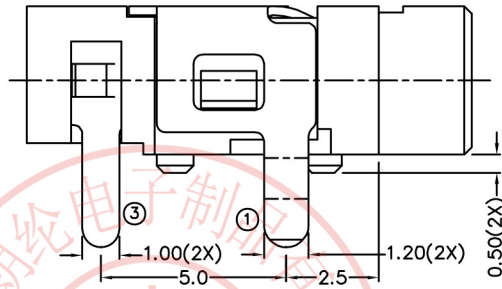


**RoHS**  
**Compatible**

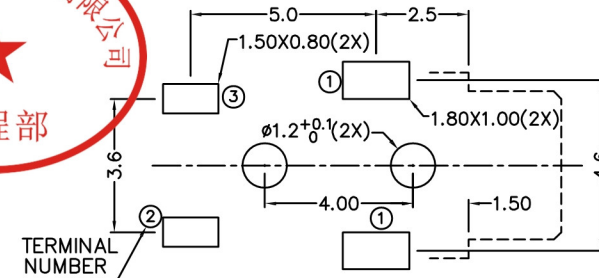


△				
△				
△				
△				
ZONE	REV	DESCRIPTION	DATE	APPD.



MODEL NO.	PJ-2803
SCHEMATIC	1
	3
	2

**\* MATERIAL**  
 TERMINAL 1 : COPPER ALLOY  
 TERMINAL 2 : COPPER ALLOY  
 TERMINAL 3 : COPPER ALLOY  
 HOUSING : PA66



PCB LAYOUT  
(BOTTOM VIEW)

**3K-KAMING** 东莞市朗纶电子制品有限公司  
 Dongguan langlun electronic products Co., Ltd

DESIGN	Will	SCALE		
DRAWING	Will	UNIT	mm	
CHECK	Will	SIZE	A4: 210*297	
APPROVAL	Eric	VERSION	01	

**TOLERANCE UNLESS OTHERWISE STATED(mm)**  
 less than 10 — ±0.2  
 10~30 — ±0.3  
 30~100 — ±0.5  
 ANGLE — ±2°

PART NAME	PHONE JACK
PART NO	PJ-280 SERIES
DRAWING NO	
DATE	2009/11/24

TEL: 86-0769-82123233 FAX: 86-0769-83536433