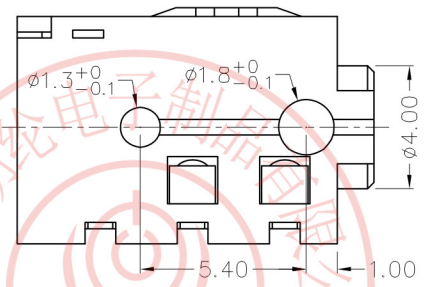
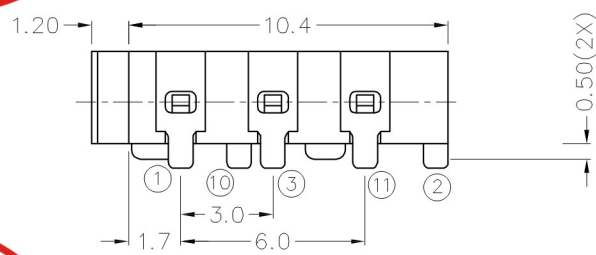
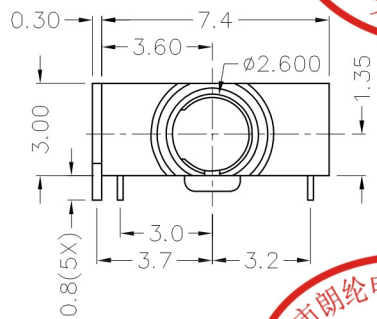
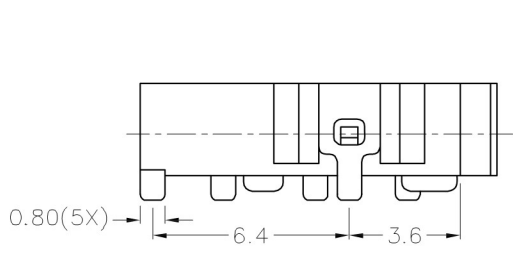


RoHS
Compatible

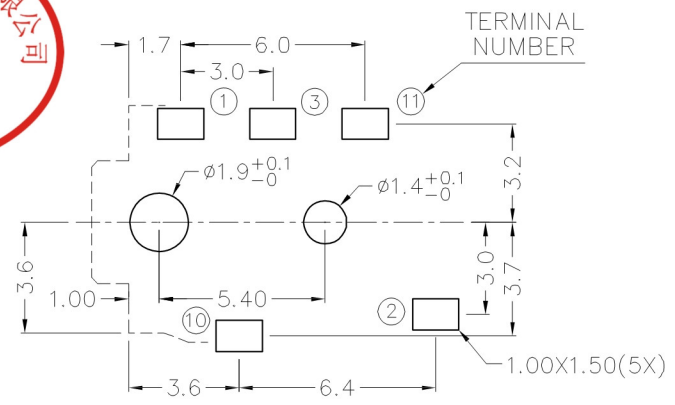
东莞市朗纶电子制品有限公司
受控文件

东莞市朗纶电子制品有限公司
工程部

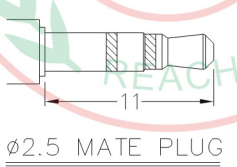
▲				
▲				
▲				
▲				
ZONE	REV	DESCRIPTION	DATE	APPD.



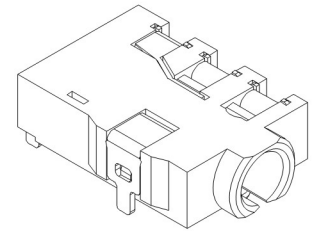
* MATERIAL
 TERMINAL 1 : COPPER ALLOY
 TERMINAL 2 : COPPER ALLOY
 TERMINAL 3 : COPPER ALLOY
 TERMINAL 10 : BRASS
 TERMINAL 11 : COPPER ALLOY
 HOUSING : PA66



PCB LAYOUT
(BOTTOM VIEW)



MODEL NO.	PJ-2745	PJ-2744A	PJ-2744B	PJ-2743	PJ-2743A
SCHEMATIC					



3K-KAMING 东莞市朗纶电子制品有限公司
Dongguan langlun electronic products Co., Ltd
TEL: 86-0769-82123233 FAX: 86-0769-83536433

DESIGN	Will	SCALE		
DRAWING	Will	UNIT	mm	
CHECK	Will	SIZE	A4: 210*297	
APPROVAL	Eric	VERSION	01	

TOLERANCE UNLESS OTHERWISE STATED(mm)	PART NAME	PHONE JACK
less than 10 ±0.2	PART NO	PJ-274 SERIES
10~30 ±0.3	DRAWING NO	
30~100 ±0.5	DATE	2009/11/24
ANGIE ±2'		