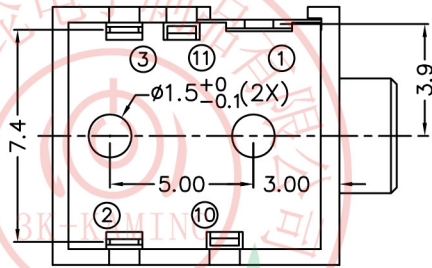
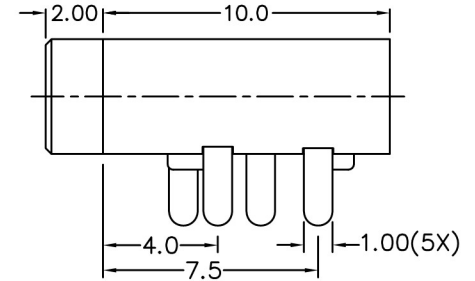
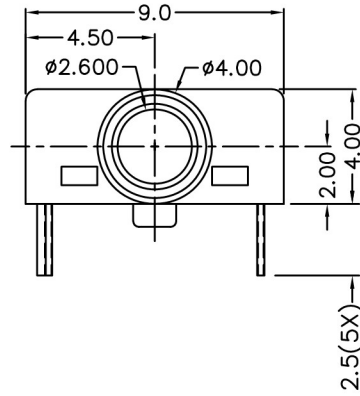
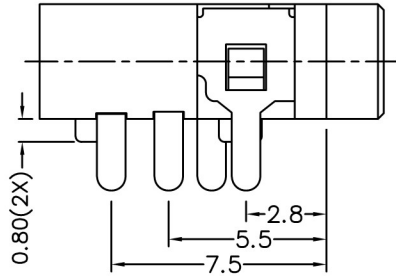
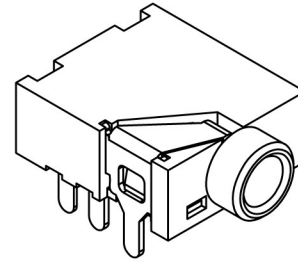


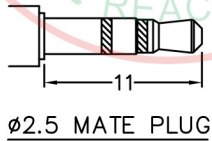
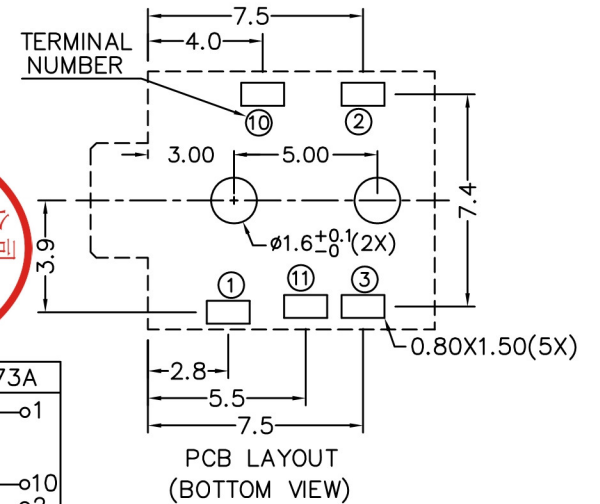
▲				
▲				
▲				
▲				
ZONE	REV	DESCRIPTION	DATE	APPD.



RoHS
Compatible



* MATERIAL
 TERMINAL 1 : COPPER ALLOY
 TERMINAL 2 : COPPER ALLOY
 TERMINAL 3 : COPPER ALLOY
 TERMINAL 10 : BRASS
 TERMINAL 11 : BRASS
 HOUSING : PA66
 COVER : PA66



MODEL NO.	PJ-2675	PJ-2674A	PJ-2674B	PJ-2673	PJ-2673A
SCHEMATIC					

3K-KAMING 东莞市朗纶电子制品有限公司
 Dongguan langlun electronic products Co., Ltd

DESIGN	Will	SCALE		
DRAWING	Will	UNIT	mm	
CHECK	Will	SIZE	A4: 210*297	
APPROVAL	Eric	VERSION	01	

TOLERANCE UNLESS OTHERWISE STATED(mm)
less than 10 — ±0.2
10~30 — ±0.3
30~100 — ±0.5
ANGLE — ±2°

PART NAME	PHONE JACK
PART NO	PJ-267 SERIES
DRAWING NO	
DATE	2009/11/01

TEL: 86-0769-82123233 FAX: 86-0769-83536433