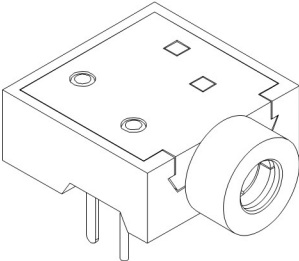
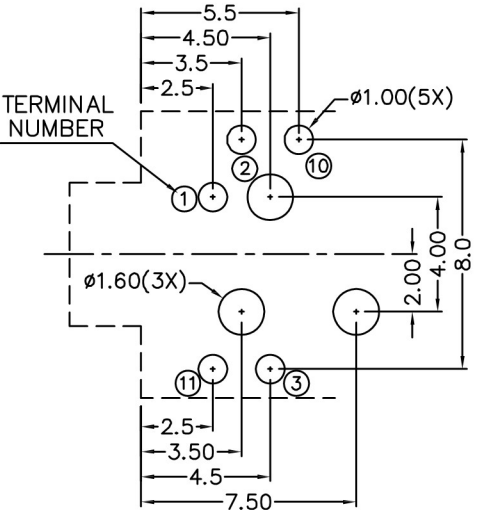
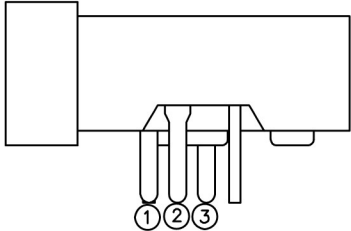
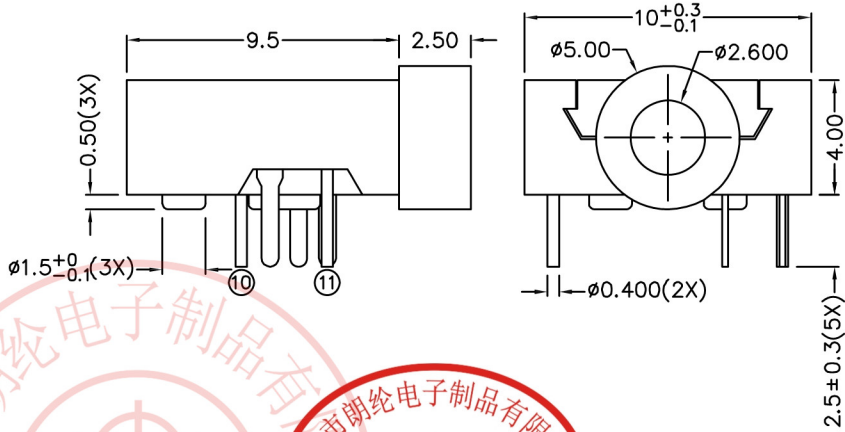


RoHS
Compatible



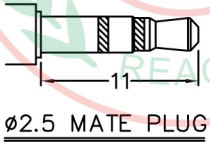
△				
△				
△				
△				
ZONE	REV	DESCRIPTION	DATE	APPD.



PCB LAYOUT
(BOTTOM VIEW)

*** MATERIAL**

- TERMINAL 1 : BRASS
- TERMINAL 2 : COPPER ALLOY
- TERMINAL 3 : COPPER ALLOY
- TERMINAL 10 : COPPER ALLOY
- TERMINAL 11 : COPPER ALLOY
- BUSHING : PA66
- HOUSING : PA66
- COVER : PA66



MODEL NO.	PJ-2645P	PJ-2644AP	PJ-2644BP	PJ-2643P	PJ-2643AP	PJ-2642P
SCHEMATIC						

3K-KAMING 东莞市朗纶电子制品有限公司
Dongguan langlun electronic products Co., Ltd

TEL: 86-0769-82123233 FAX: 86-0769-83536433

DESIGN	Will	SCALE		
DRAWING	Will	UNIT	mm	
CHECK	Will	SIZE	A4: 210*297	
APPROVAL	Eric	VERSION	01	

TOLERANCE UNLESS OTHERWISE STATED(mm)
less than 10 ± 0.2
10~30 ± 0.3
30~100 ± 0.5
ANGIE $\pm 2'$

PART NAME	PHONE JACK
PART NO	PJ-264P SERIES
DRAWING NO	
DATE	2009/12/01