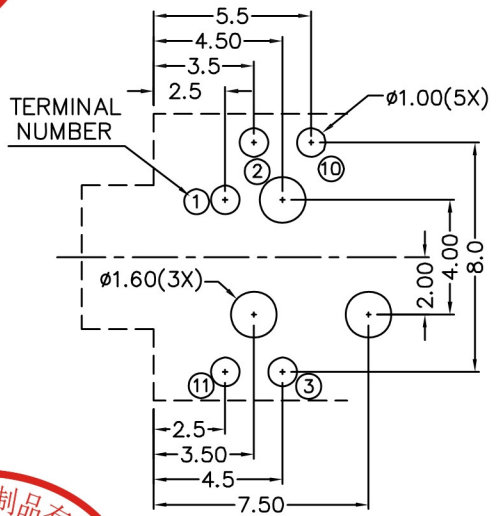
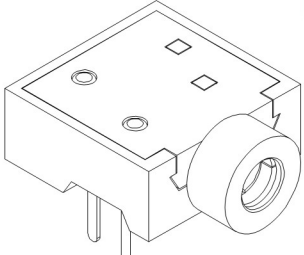


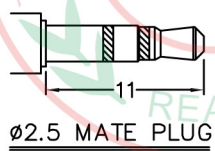
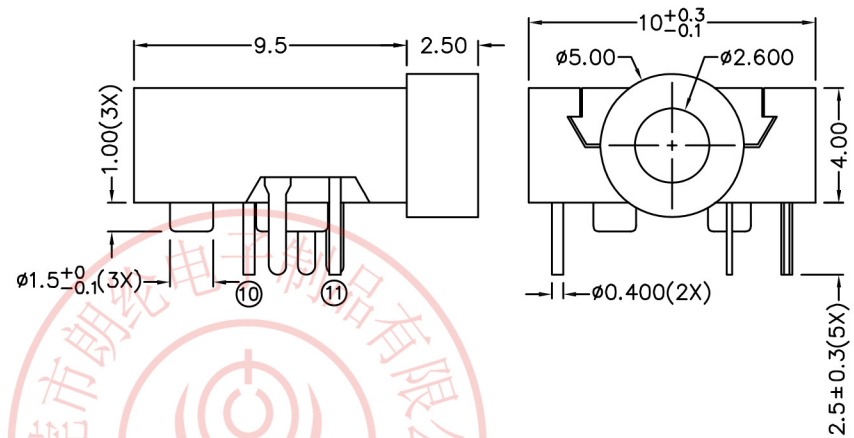
**RoHS**  
**Compatible**



PCB LAYOUT  
(BOTTOM VIEW)

**\* MATERIAL**

- TERMINAL 1 : BRASS
- TERMINAL 2 : COPPER ALLOY
- TERMINAL 3 : COPPER ALLOY
- TERMINAL 10: COPPER ALLOY
- TERMINAL 11: COPPER ALLOY
- BUSHING : PA66
- HOUSING : PA66
- COVER : PA66



MODEL NO.	PJ-2635P	PJ-2634AP	PJ-2634BP	PJ-2633P	PJ-2633AP	PJ-2632P
SCHMATIC						

△				
△				
△				
△				
ZONE	REV	DESCRIPTION	DATE	APPD.

**3K-KAMING** 东莞市朗纶电子制品有限公司  
Dongguan langlun electronic products Co., Ltd  
TEL: 86-0769-82123233 FAX: 86-0769-83536433

DESIGN	Will	SCALE		
DRAWING	Will	UNIT	mm	
CHECK	Will	SIZE	A4: 210*297	
APPROVAL	Eric	VERSION	01	

TOLERANCE UNLESS OTHERWISE STATED(mm)	PART NAME	PHONE JACK
less than 10 — ±0.2	PART NO	PJ-263P SERIES
10~30 — ±0.3	DRAWING NO	
30~100 — ±0.5	DATE	2009/12/01
ANGIE — ±2'		