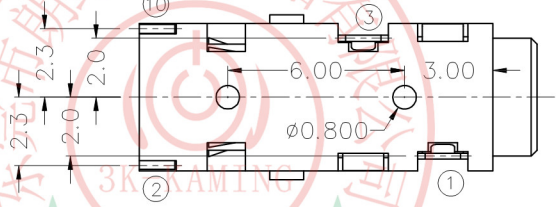
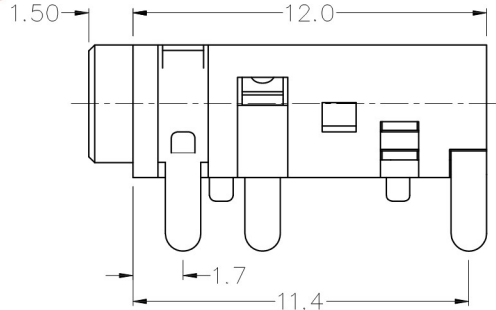
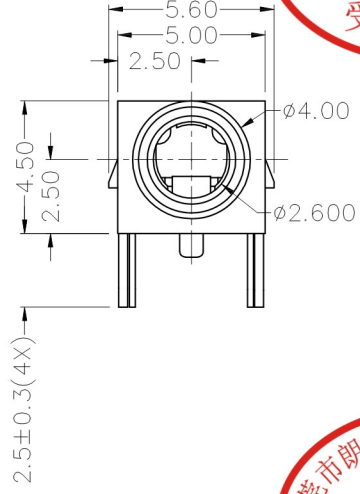
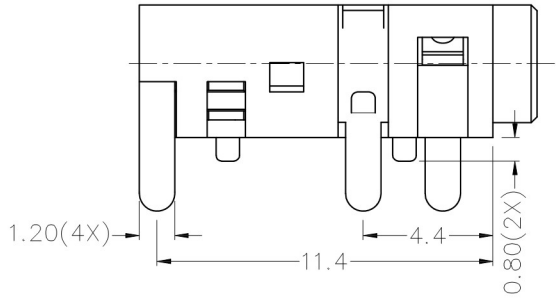
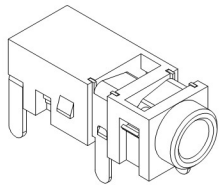


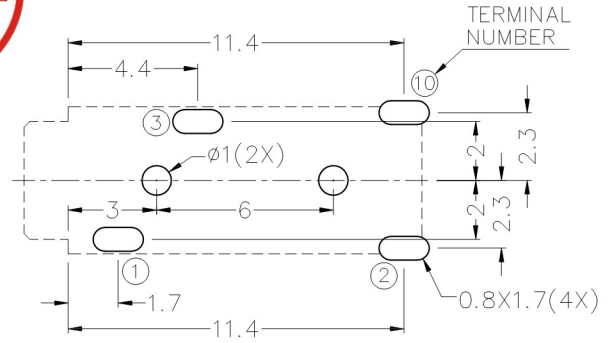
**RoHS**  
Compatible



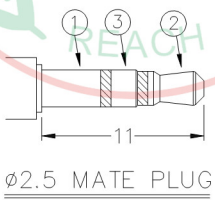
△				
△				
△				
△				
ZONE	REV	DESCRIPTION	DATE	APPD.



Material :  
 TERMINAL 1 : COPPER ALLOY  
 TERMINAL 2 : COPPER ALLOY  
 TERMINAL 3 : COPPER ALLOY  
 TERMINAL 10 : BRASS  
 HOUSING : PA66



RECOMMENDED PCB LAYOUT  
 TOLERANCE: ±0.05mm(TOP VIEW)



MODEL NO.	PJ-2584	PJ-2583	PJ-2583A
SCHMATIC			

**3K-KAMING** 东莞市朗纶电子制品有限公司  
 Dongguan langlun electronic products Co., Ltd  
 TEL: 86-0769-82123233 FAX: 86-0769-83536433

DESIGN	Jeff	SCALE		
DRAWING	Jeff	UNIT	mm	
CHECK	Jeff	SIZE	A4: 210*297	
APPROVAL	Honda	VERSION	02	

TOLERANCE UNLESS OTHERWISE STATED(mm)	
0	±0.30
0.0	±0.20
0.00	±0.10
ANGLE	±2°

PART NAME	PHONE JACK
PART NO	PJ-258 SERIES
DRAWING NO	
DATE	2019/05/29