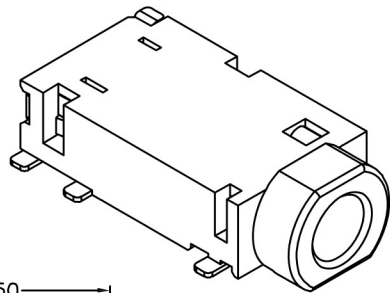
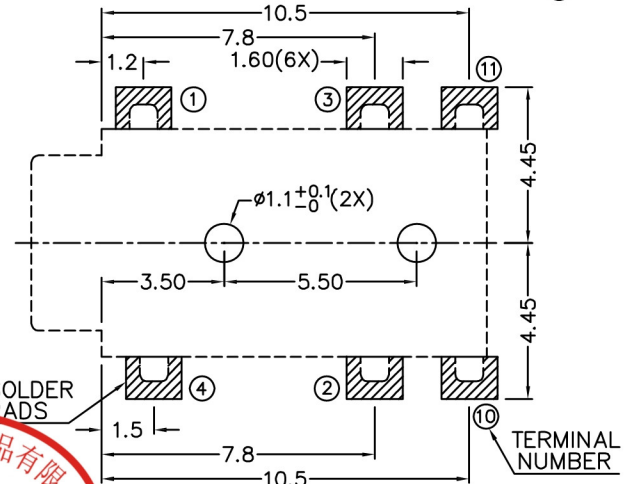
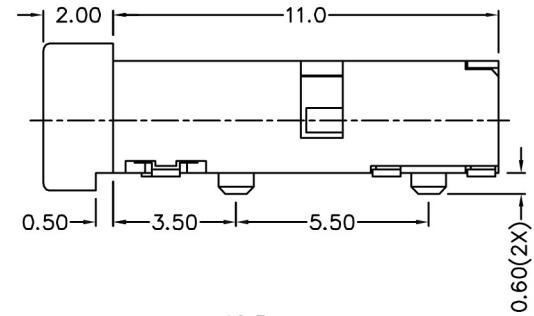
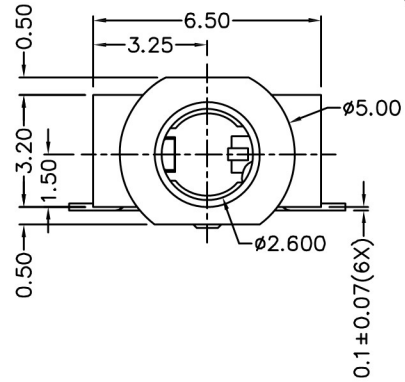
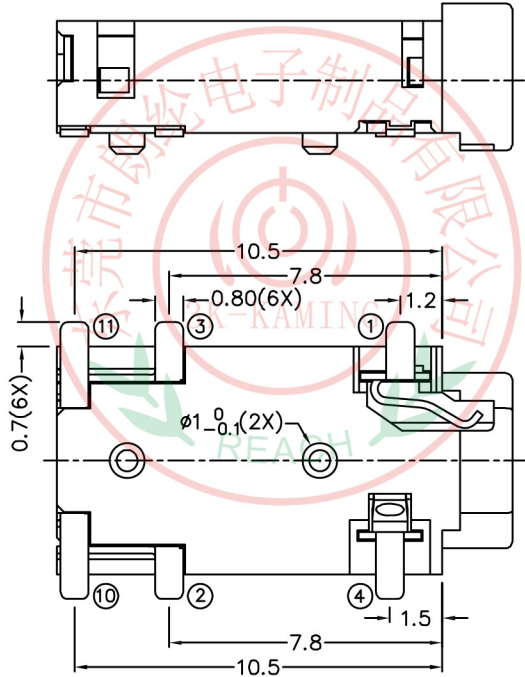


RoHS
Compatible

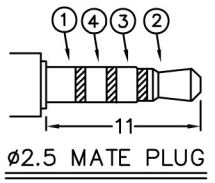


| △ | | | | |
|------|-----|-------------|------|-------|
| △ | | | | |
| △ | | | | |
| △ | | | | |
| ZONE | REV | DESCRIPTION | DATE | APPD. |



*** MATERIAL**
 TERMINAL 1 : COPPER ALLOY
 TERMINAL 2 : COPPER ALLOY
 TERMINAL 3 : COPPER ALLOY
 TERMINAL 4 : COPPER ALLOY
 TERMINAL 10 : COPPER ALLOY
 TERMINAL 11 : COPPER ALLOY
 HOUSING : PA6T

| | |
|-----------|----------|
| MODEL NO. | PJ-4056D |
| SCHMATIC | |



3K-KAMING 东莞市朗纶电子制品有限公司
 Dongguan langlun electronic products Co., Ltd
 TEL: 86-0769-82123233 FAX: 86-0769-83536433

| | | | | |
|----------|------|---------|-------------|--|
| DESIGN | Will | SCALE | | |
| DRAWING | Will | UNIT | mm | |
| CHECK | Will | SIZE | A4: 210*297 | |
| APPROVAL | Eric | VERSION | 01 | |

| | | |
|---------------------------------------|------------|----------------|
| TOLERANCE UNLESS OTHERWISE STATED(mm) | PART NAME | PHONE JACK |
| less than 10 — ±0.2 | PART NO | PJ-405D SERIES |
| 10~30 — ±0.3 | DRAWING NO | |
| 30~100 — ±0.5 | DATE | 2010/03/08 |
| ANGIE — ±2' | | |