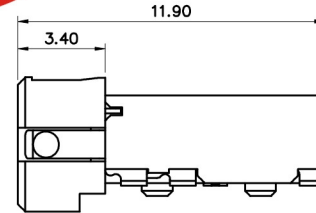
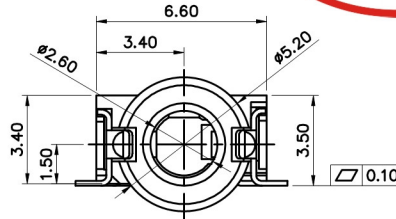
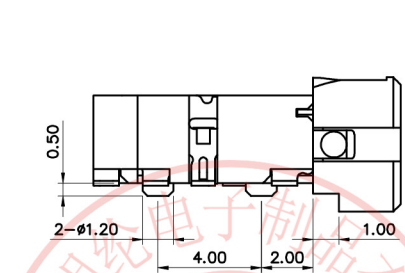


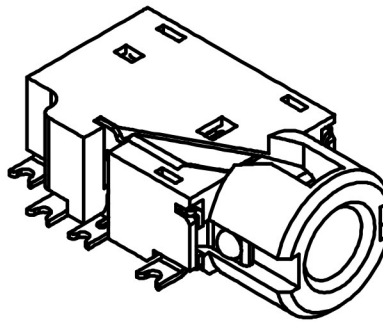
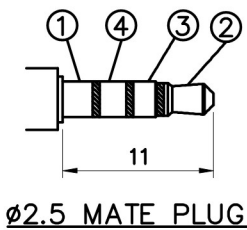
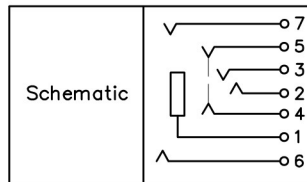
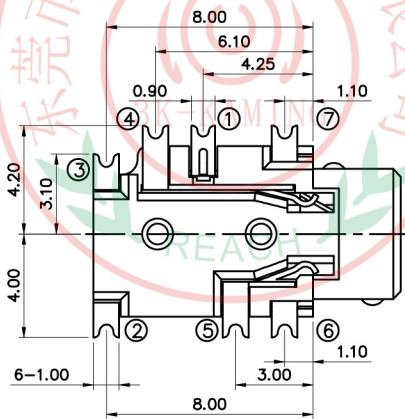
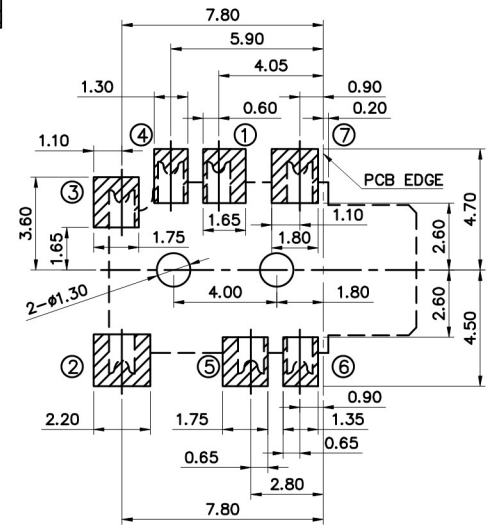
△				
△				
△				
△				
ZONE	REV	DESCRIPTION	DATE	APPD.



RoHS
Compatible



RECOMMENED P.C.B MOUNTING
PATTERN DIMENSION
(Bottom view)



8	Terminal 7	Copper alloy	1	Gold flash
7	Terminal 6	Copper alloy	1	Gold flash
6	Terminal 5	Copper alloy	1	Gold flash
5	Terminal 4	Copper alloy	1	Gold flash
4	Terminal 3	Copper alloy	1	Gold flash
3	Terminal 2	Copper alloy	1	Gold flash
2	Terminal 1	Copper alloy	1	Gold flash
1	Housing	PA10T	1	Black
No.	Part Name	Material	Q'ty	Finishing

3K-KAMING 东莞市朗纶电子制品有限公司
Dongguan langlun electronic products Co., Ltd
TEL: 86-0769-82123233 FAX: 86-0769-83536433

DESIGN	Eason	SCALE		
DRAWING	Eason	UNIT	mm	
CHECK	Eason	SIZE	A4: 210*297	
APPROVAL	Honda	VERSION	02	

TOLERANCE UNLESS OTHERWISE STATED(mm)	PART NAME	2.5mm PHONE JACK
0 ——— ±0.50	PART NO	PJ-2897D
0.0 ——— ±0.30	DRAWING NO	
0.00 ——— ±0.20	DATE	2019/07/02
ANGLE ——— ±3°		