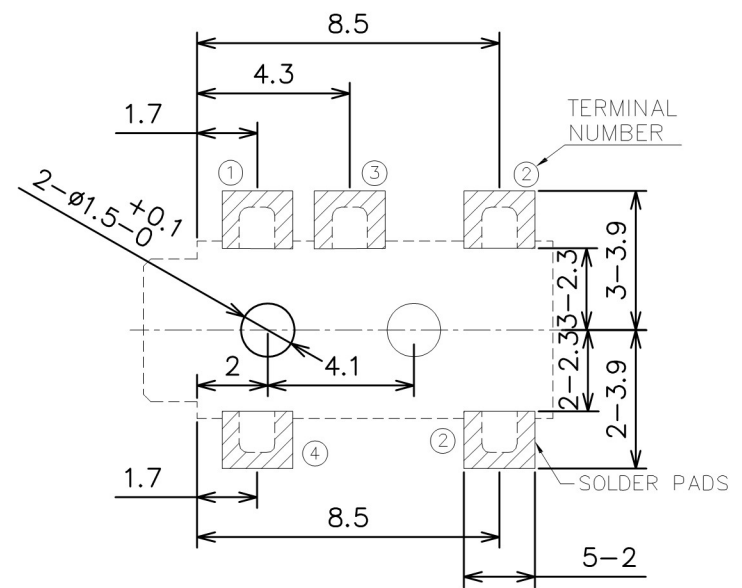
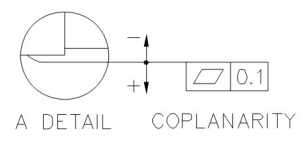
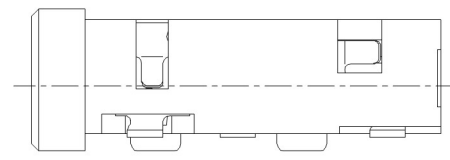
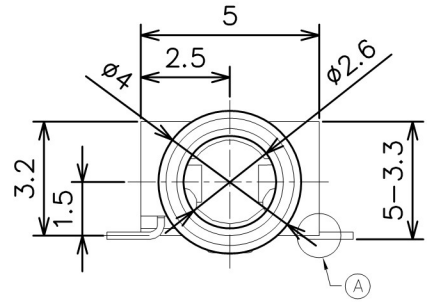
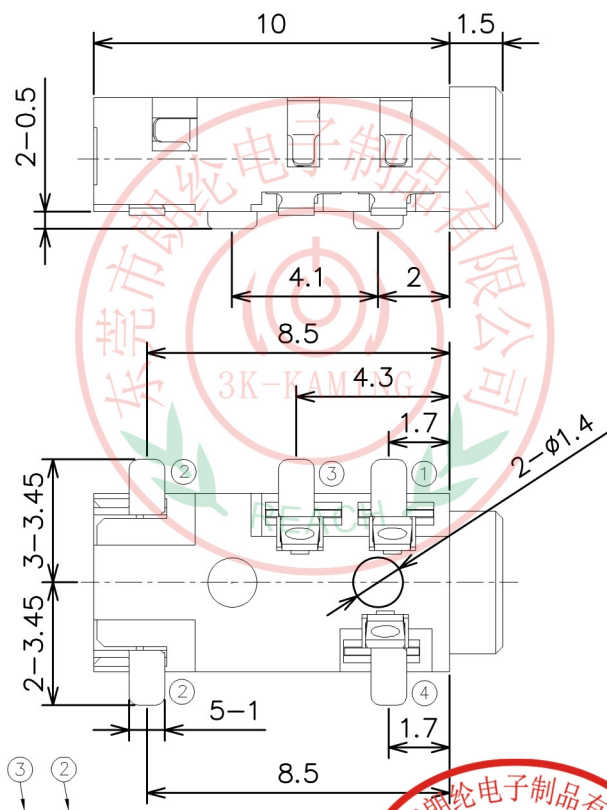
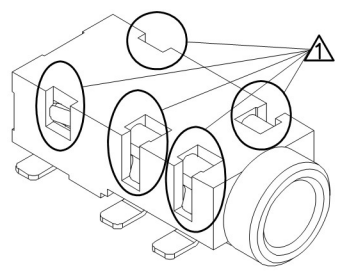


△					
△					
△	02	Modify	Design	11/03/14	Eric
ZONE	REV	DESCRIPTION	DATE	APPD.	

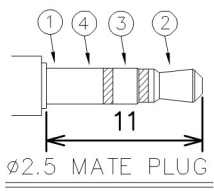
**RoHS**  
Compatible



RECOMMENDED PCB LAYOUT  
TOLERANCE: ±0.05  
(TOP VIEW)

\* MATERIAL  
 TERMINAL 1 : COPPER ALLOY  
 TERMINAL 2 : COPPER ALLOY  
 TERMINAL 3 : COPPER ALLOY  
 TERMINAL 4 : COPPER ALLOY  
 HOUSING : PA6T

MODEL NO.	PJ-2854D
SCHMATIC	



**3K-KAMING** 东莞市朗纶电子制品有限公司  
Dongguan langlun electronic products Co., Ltd

DESIGN	Sean	SCALE		
DRAWING	Sean	UNIT	mm	
CHECK		SIZE	A4: 210*297	
APPROVAL	Eric	VERSION	02	

TOLERANCE UNLESS OTHERWISE STATED(mm)	PART NAME	PHONE JACK
less than 10 — ±0.2	PART NO	PJ-2854D
10~30 — ±0.3	DRAWING NO	
30~100 — ±0.4	DATE	2014/11/03
ANGLE — ±2°		

TEL: 86-0769-82123233 FAX: 86-0769-83536433