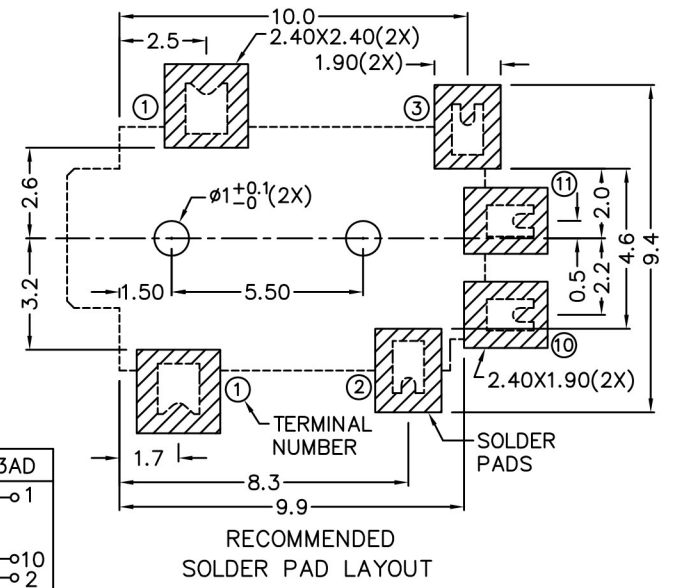
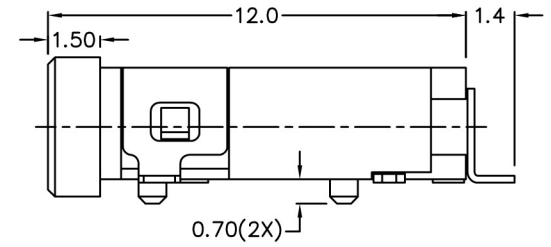
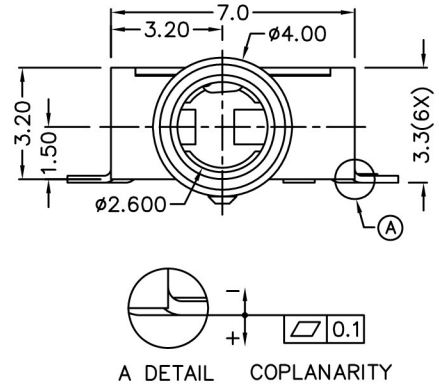
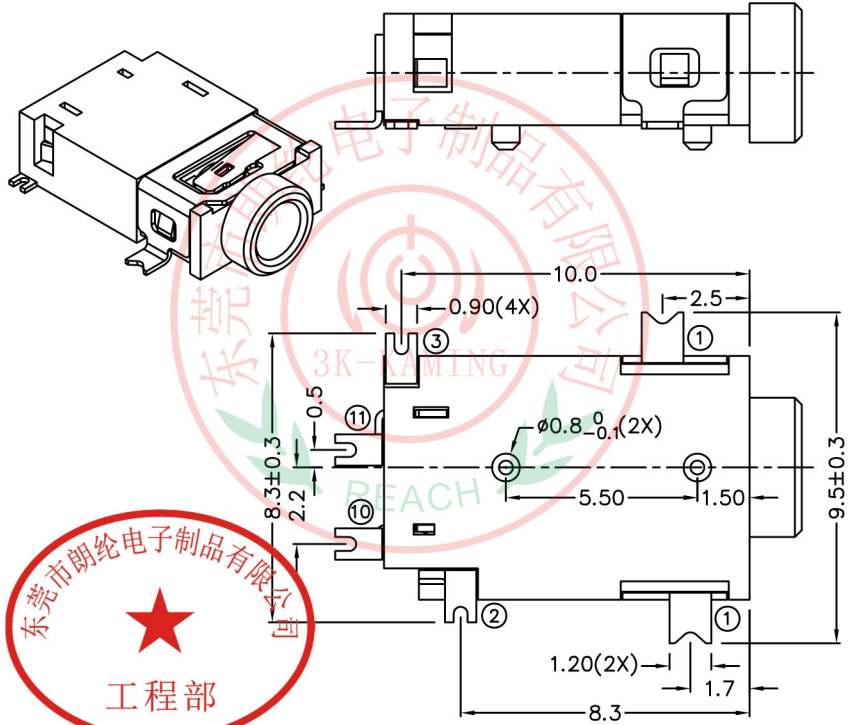


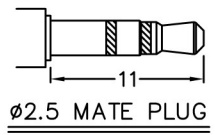
**RoHS**  
Compatible



4				
3				
2				
1				
ZONE	REV	DESCRIPTION	DATE	APPD.



**\* MATERIAL**  
 TERMINAL 1 : COPPER ALLOY  
 TERMINAL 2 : COPPER ALLOY  
 TERMINAL 3 : COPPER ALLOY  
 TERMINAL 10 : BRASS  
 TERMINAL 11 : BRASS  
 HOUSING : PA6T



MODEL NO.	PJ-2835D	PJ-2834AD	PJ-2834BD	PJ-2833D	PJ-2833AD
SCHMATIC					

**3K-KAMING** 东莞市朗纶电子制品有限公司  
 Dongguan langlun electronic products Co., Ltd  
 TEL: 86-0769-82123233 FAX: 86-0769-83536433

DESIGN	Will	SCALE		
DRAWING	Will	UNIT	mm	
CHECK	Will	SIZE	A4: 210*297	
APPROVAL	Eric	VERSION	01	

TOLERANCE UNLESS OTHERWISE STATED(mm)	PART NAME	PHONE JACK
less than 10 ±0.2	PART NO	PJ-283D SEIES
10~30 ±0.3	DRAWING NO	
30~100 ±0.5	DATE	2010/11/03
ANGIE ±2°		