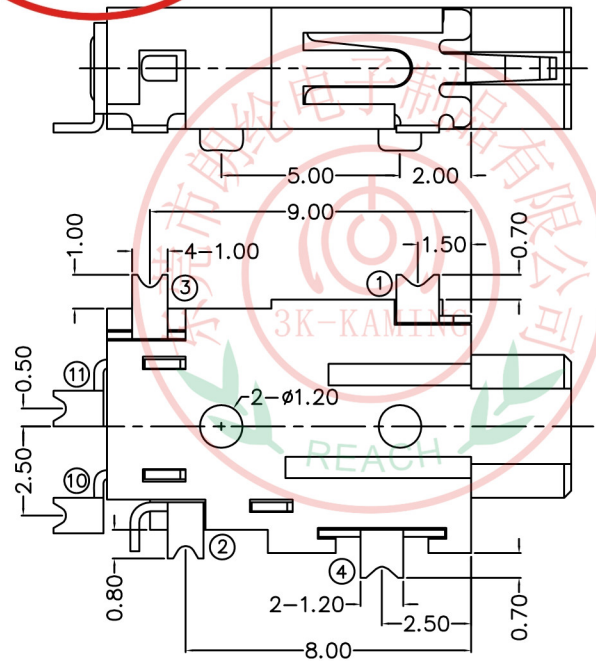
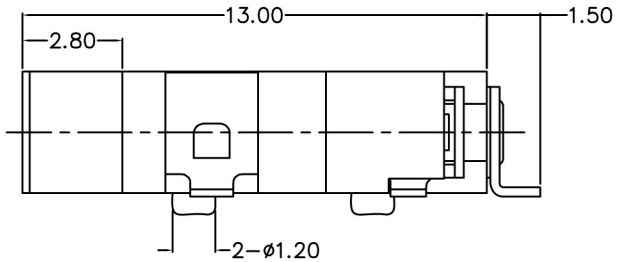
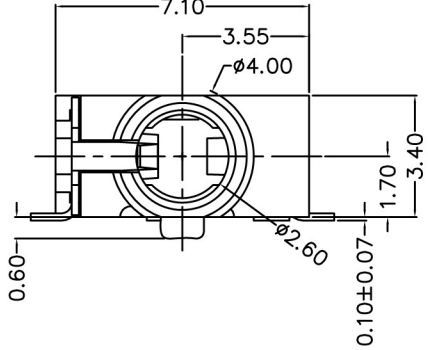
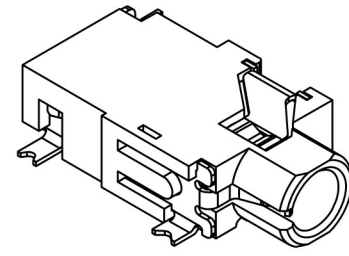
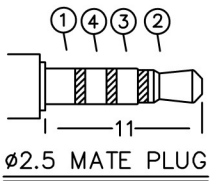
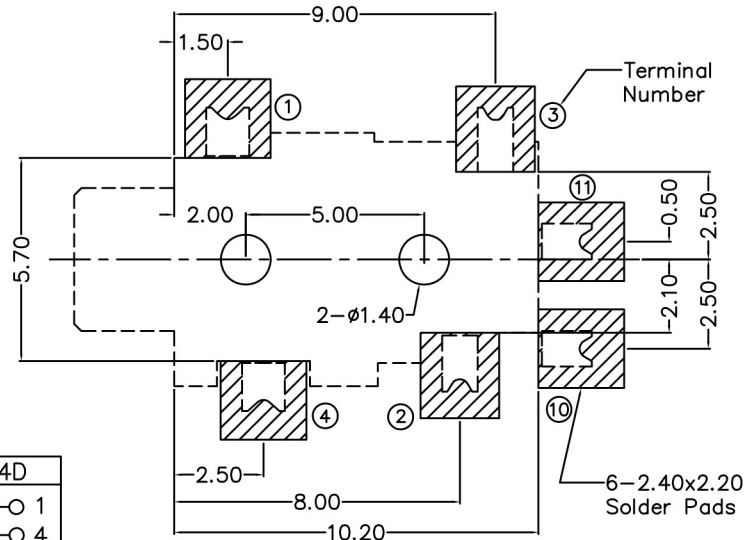


**RoHS**  
Compatible

△				
△				
△				
△				
ZONE	REV	DESCRIPTION	DATE	APPD



\* MATERIAL  
 TERMINAL 1 : COPPER ALLOY  
 TERMINAL 2 : COPPER ALLOY  
 TERMINAL 3 : COPPER ALLOY  
 TERMINAL 4 : COPPER ALLOY  
 TERMINAL 10: BRASS  
 TERMINAL 11: BRASS  
 HOUSING : PA6T



MODEL NO.	PJ-2796D	PJ-2795AD	PJ-2795BD	PJ-2795D	PJ-2794D
SCHEMATIC					

**3K-KAMING** 东莞市朗纶电子制品有限公司  
 Dongguan langlun electronic products Co., Ltd

TEL: 86-0769-82123233 FAX: 86-0769-83536433

DESIGN	Will	SCALE		
DRAWING	Will	UNIT	mm	
CHECK	Will	SIZE	A4: 210*297	
APPROVAL	Eric	VERSION	01	

TOLERANCE UNLESS OTHERWISE STATED(mm)
less than 10 — ±0.2
10~30 — ±0.3
30~100 — ±0.5
ANGLE — ±2'

PART NAME	PHONE JACK
PART NO	PJ-279D SERIES
DRAWING NO	
DATE	2009/11/24