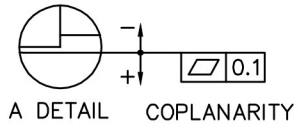
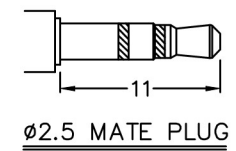
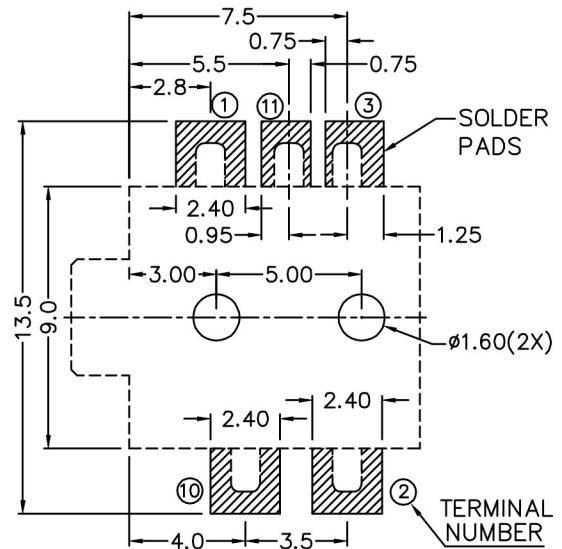
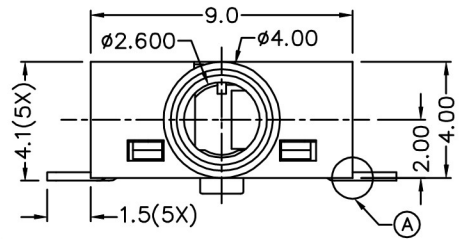
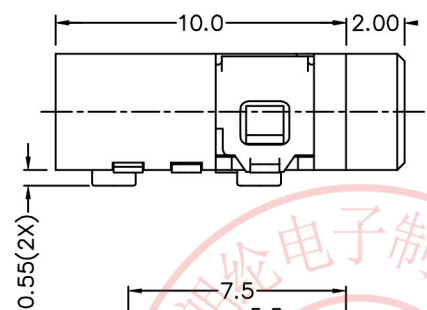


**RoHS**  
**Compatible**

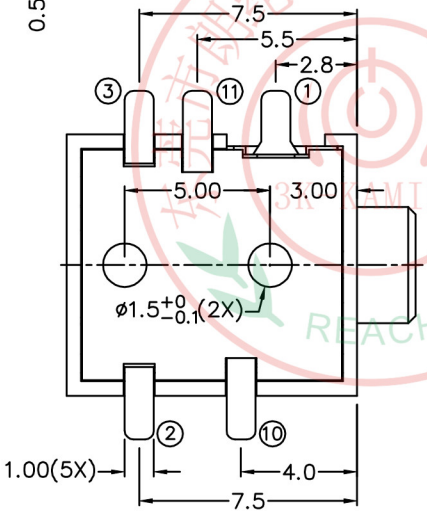
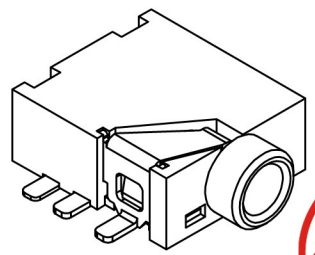
△				
△				
△				
△				
ZONE	REV	DESCRIPTION	DATE	APPD.



RECOMMENDED  
SOLDER PAD LAYOUT

**SPECIFICATION**

- Rating : DC 12V 1A.
- Contact resistance :  $\leq 30m \Omega$  ; After test :  $\leq 50m \Omega$
- Insulation resistance :  $\geq 100M \Omega$  (DC250V)  
After test :  $\geq 50M \Omega$
- Insertion and extraction force : 0.3 - 3kgs Max.
- Life test : 5,000 cycles.



MODEL NO.	PJ - 2595	PJ - 2594A	PJ - 2594B	PJ - 2593	PJ - 2593A	PJ - 2592
SCHEMATIC						

NO	Part Name	Material	Q'ty	Finishing
5	Terminal [11]	Brass	1	Au plating
5	Terminal [10]	Brass	1	Au plating
5	Terminal [3]	Copper alloy	1	Au plating
4	Terminal [2]	Copper alloy	1	Au plating
3	Terminal [1]	Copper alloy	1	Au plating
2	Cover	PA9T	1	Black
1	Housing	PA9T	1	Black

**3K-KAMING** 东莞市朗纶电子制品有限公司  
Dongguan langlun electronic products Co., Ltd  
TEL: 86-0769-82123233 FAX: 86-0769-83536433

DESIGN	Ross	SCALE	
DRAWING	Ross	UNIT	mm
CHECK	Elsa	SIZE	A4: 210*297
APPROVAL	Eric	VERSION	01

TOLERANCE UNLESS OTHERWISE STATED(mm)	PART NAME	Phone JACK
less than 10 — ±0.3	PART NO	PJ-259 SERIES
10~30 — ±0.4	DRAWING NO	
30~100 — ±0.5	DATE	2015/03/05
ANGIE — ±2°		