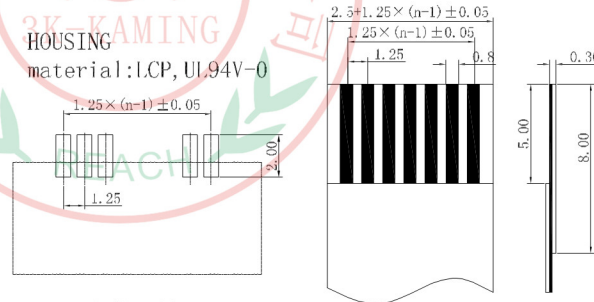


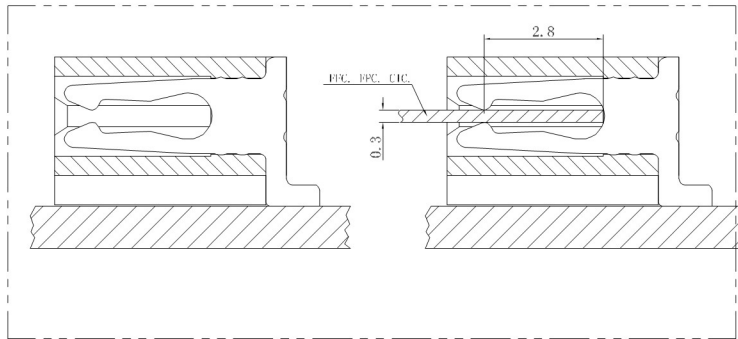
SPECIFICATIONS

Poles: 4 to 33
 Voltage rating (MAX): 50V DC/AV (rms)
 Current rating: 0.5A AC/DC
 Working Temperature: -20° C to +85° C
 Withstand voltage: 500VAC/minute
 Insulation resistance: $\geq 800M\Omega$
 Contact resistance: $\leq 0.04\Omega$
 Single Contact

HOUSING material: I.C.P, UL94V-0



PC BOARD LAYOUT



UNITS mm		东莞市朗纶电子制品有限公司 Dongguan langlun electronic products Co., Ltd									
MAT'L		PART NO.(INTENDED USE) 1.25-B-nPWB		TITLE: 1.25双面接卧贴FPC连接器							
FINISH		APPD:		DWG NO.: 1.25-B-nPWB							
Q'TY		CHKD:		DR: HU 2016.09.28							
.X±0.3		X°±5°		 <table border="1"> <tr> <td>SCALE</td> <td>SHEET</td> <td>REV.</td> </tr> <tr> <td>1/1</td> <td>1/1</td> <td>A</td> </tr> </table>		SCALE	SHEET	REV.	1/1	1/1	A
SCALE	SHEET	REV.									
1/1	1/1	A									
.X±0.25		.X°±2°									
.XX±0.20		.XX°±1°									
.XXX±0.10		.XXX°±0.5°									

PCS