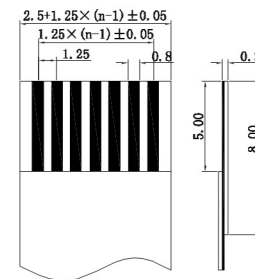
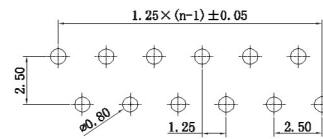
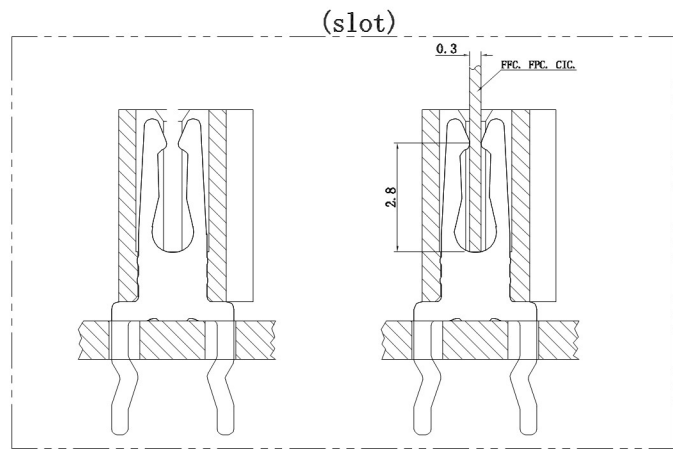


Electrical

Voltage: 50 V AC (rms) / DC
 Current: 0.5 A AC (rms) / DC
 Contact Resistance: 40 mΩ max (initial)
 Dielectric Withstanding Voltage: 200 V AC / rms
 Insulation Resistance: 800 MΩ min
 Operating Temp: -25° C ~ +85° C



UNITS	mm	东莞市朗纶电子制品有限公司 Dongguan langlun electronic products Co., Ltd			
MAT'L		PART NO. (INTENDED USE)	TITLE:		
		1.25-B-nP	1.25 双面接直插FPC连接器		
		APPD:	DWG NO.:		
			1.25-B-nP		
		Q'TY	CHKD:	SCALE	SHEET
			DR:	1/1	1/1
			HU 2016.09.28	REV.	A

X. ± 0.3	X° ± 5°
.X ± 0.25	.X° ± 2°
.XX ± 0.20	.XX° ± 1°
.XXX ± 0.10	.XXX° ± 0.5°

PCS

