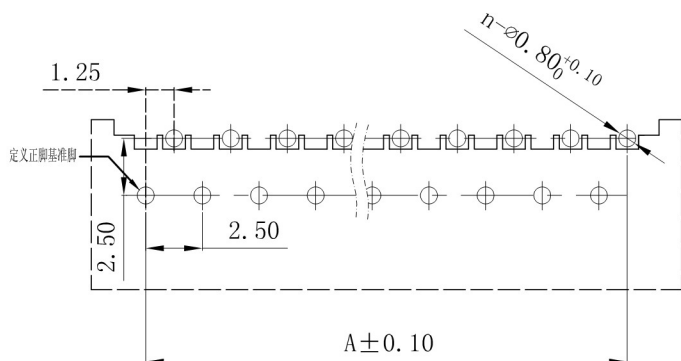
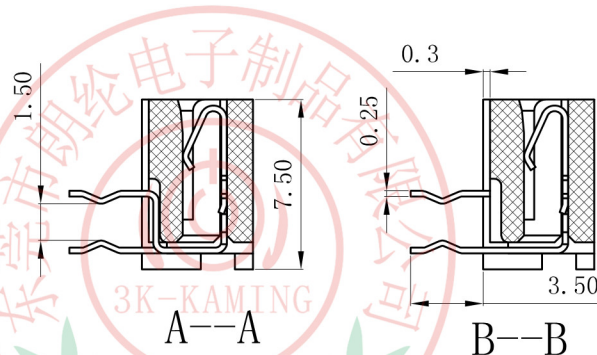
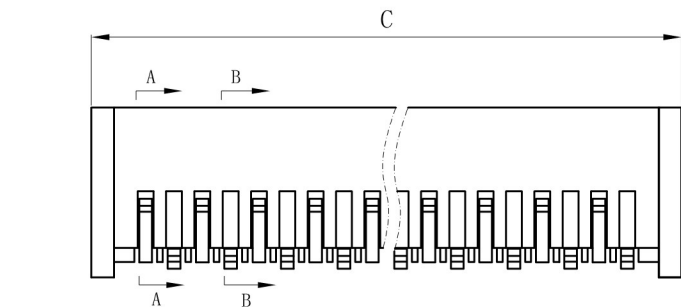
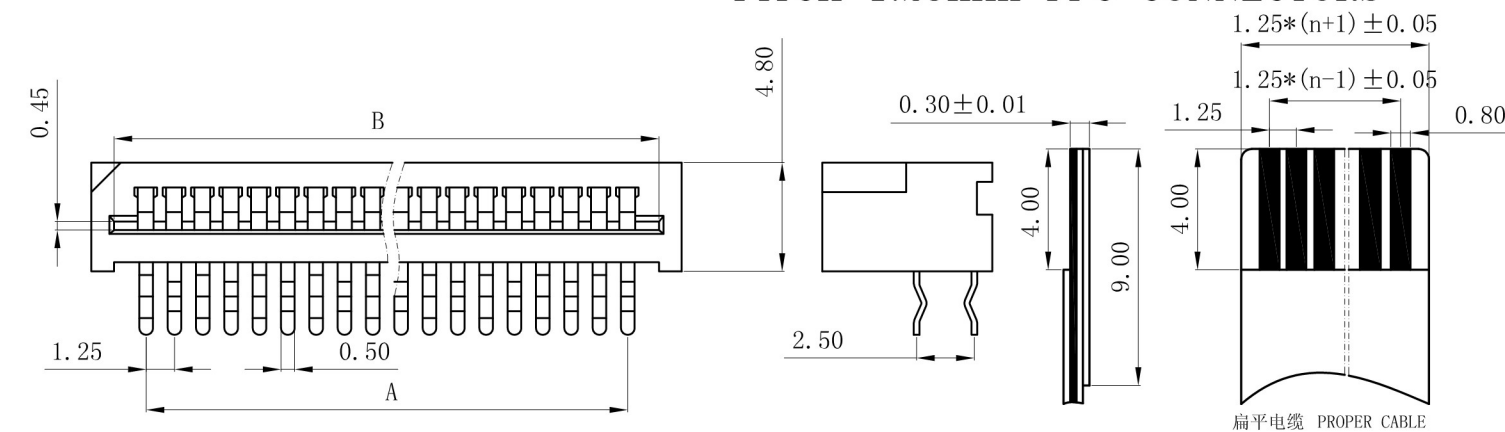


# PITCH 1.25mm FPC CONNECTORS



P. C. B Layout

性能:

- 额定电流: 1A
- 额定电压: 200V
- 耐电压: 500V
- 接触电阻:  $\leq 20m\Omega$
- 绝缘电阻:  $500M\Omega$
- 工作温度:  $-20^{\circ}C \sim +85^{\circ}C$
- 塑件(材质): PBT, UL94V-0
- 插簧(材质): 磷青铜, 镀锡/镀金

孔位	A	B	C
4	3.75	6.25	8.55
5	5.00	7.50	9.80
6	6.25	8.75	11.05
7	7.50	10.00	12.30
8	8.75	11.25	13.55
9	10.00	12.50	14.80
10	11.25	13.75	16.05
11	12.50	15.00	17.30
12	13.75	16.25	18.55
13	15.00	17.50	19.80
14	16.25	18.75	21.05
15	17.50	20.00	22.30
16	18.75	21.25	23.55
17	20.00	22.50	24.80
18	21.25	23.75	26.05
19	22.50	25.00	27.30
20	23.75	26.25	28.55
21	25.00	27.50	29.80
22	26.25	28.75	31.05
23	27.50	30.00	32.30
24	28.75	31.25	33.55
25	30.00	32.50	34.80
26	31.25	33.75	36.05
27	32.50	35.00	37.30
28	33.75	36.25	38.55
29	35.00	37.50	39.80
30	36.25	38.75	41.05
31	37.50	40.00	42.30
32	38.75	41.25	43.55
33	40.00	42.50	44.80
34	41.25	43.75	46.05
35	42.50	45.00	47.30
36	43.75	46.25	48.55
37	45.00	47.50	49.80
38	46.25	48.75	51.05
39	47.50	50.00	52.30
40	48.75	51.25	53.55



X. $\pm 0.3$	X°. $\pm 5^{\circ}$	UNITS mm	NAME (INTENDED USE)	东莞市朗伦电子制品有限公司 Dongguan langlun electronic products Co., Ltd
.X $\pm 0.25$	.X°. $\pm 2^{\circ}$	MAT'L	1.25mm FPC(A型)弯插(正脚)	
.XX $\pm 0.20$	.XX°. $\pm 1^{\circ}$	FINISH	PART NO. (INTENDED USE) 1.25-A-nPW	
.XXX $\pm 0.10$	.XXX°. $\pm 0.5^{\circ}$	Q'TY	APPD:	
THESE DRAWINGS AND SPECIFICATIONS ARE THE PROPERTY OF ACCURATE 3K-KAMING (LANG LUN) INC. AND SHALL NOT BE REPRODUCED, COPIED OR USED IN ANY MANNER WITHOUT THE PRIOR WRITTEN CONSENT OF ACCURATE 3K-KAMING (LANG LUN) INC.			CHKD:	TITLE: 1.25mm FPC(A型)弯插(正脚)
			DR: YLZ 2011.09.28	DWG NO.: 125N03-AUH0000000
				SCALE SHEET REV. 1/1 1/1 A