

REV	LOCATIONS	DESCRIPTION	DATE	REVISER	APPD

SPECIFICATIONS

Electrical

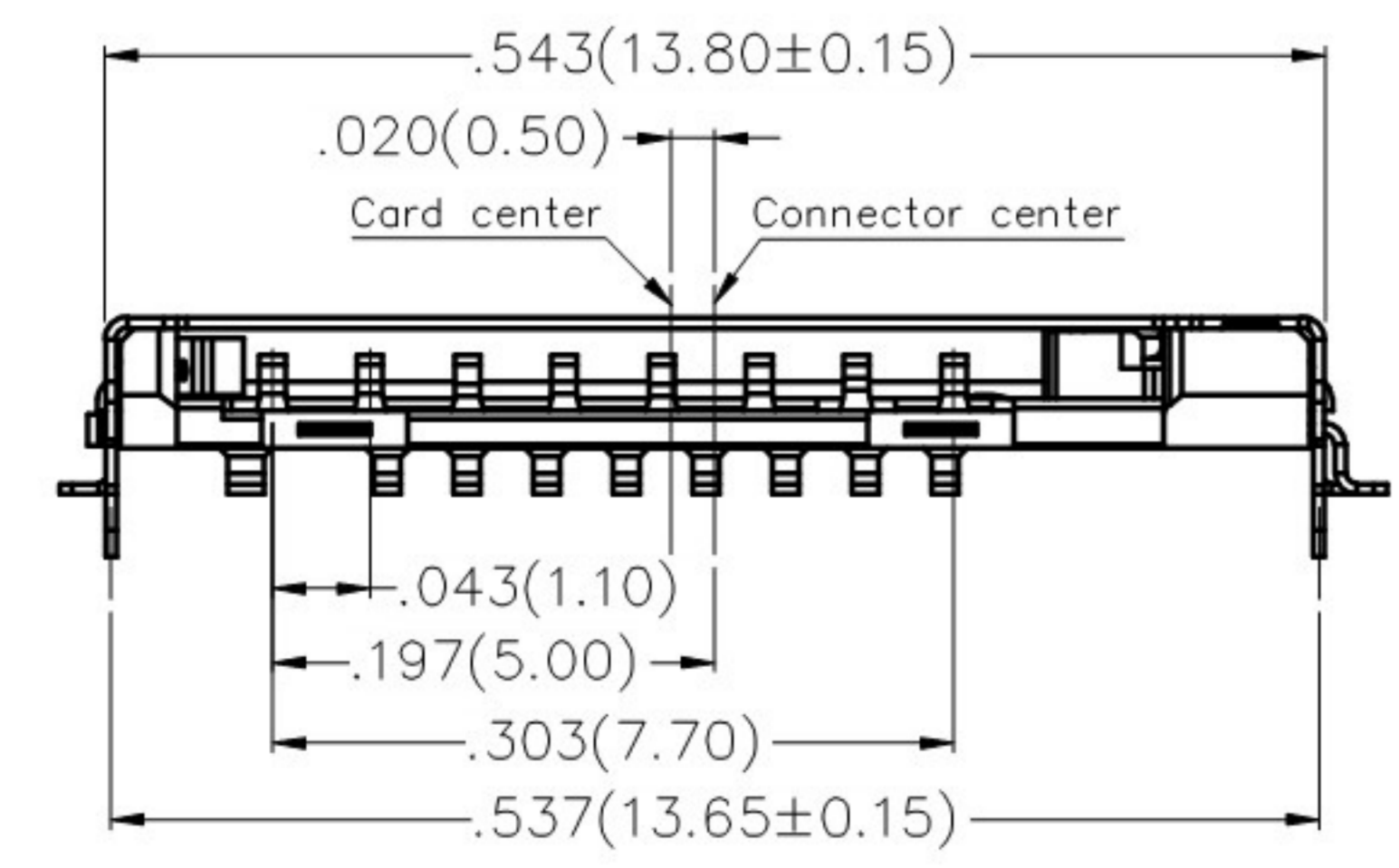
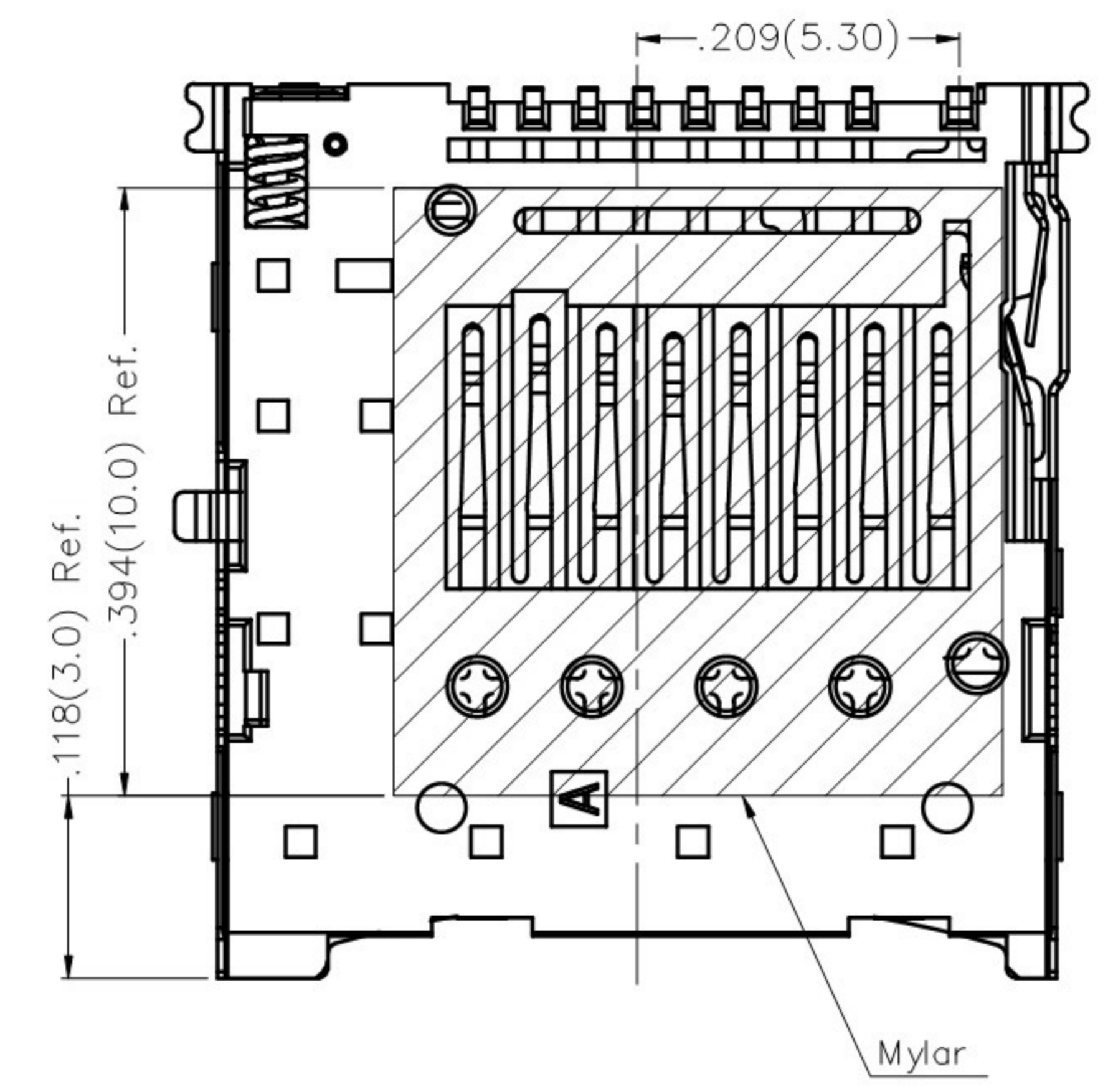
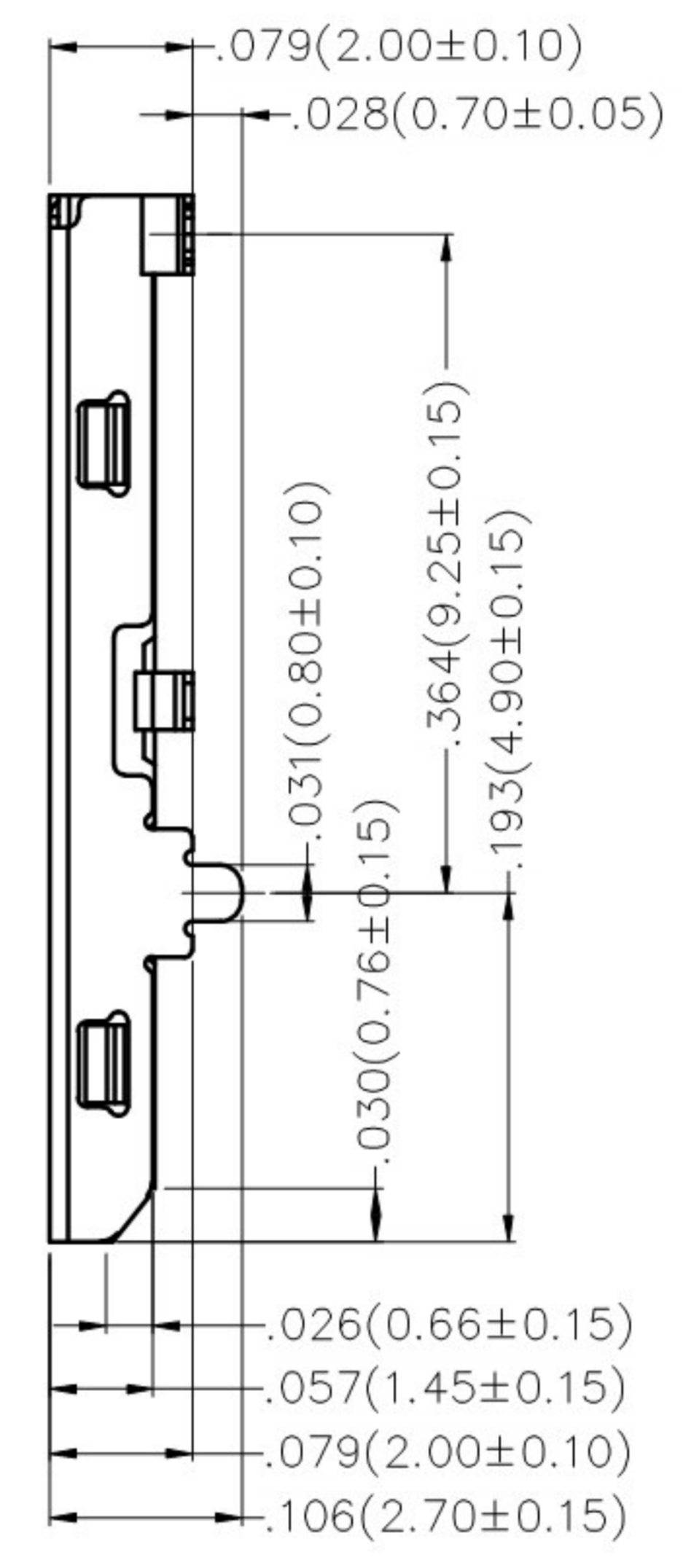
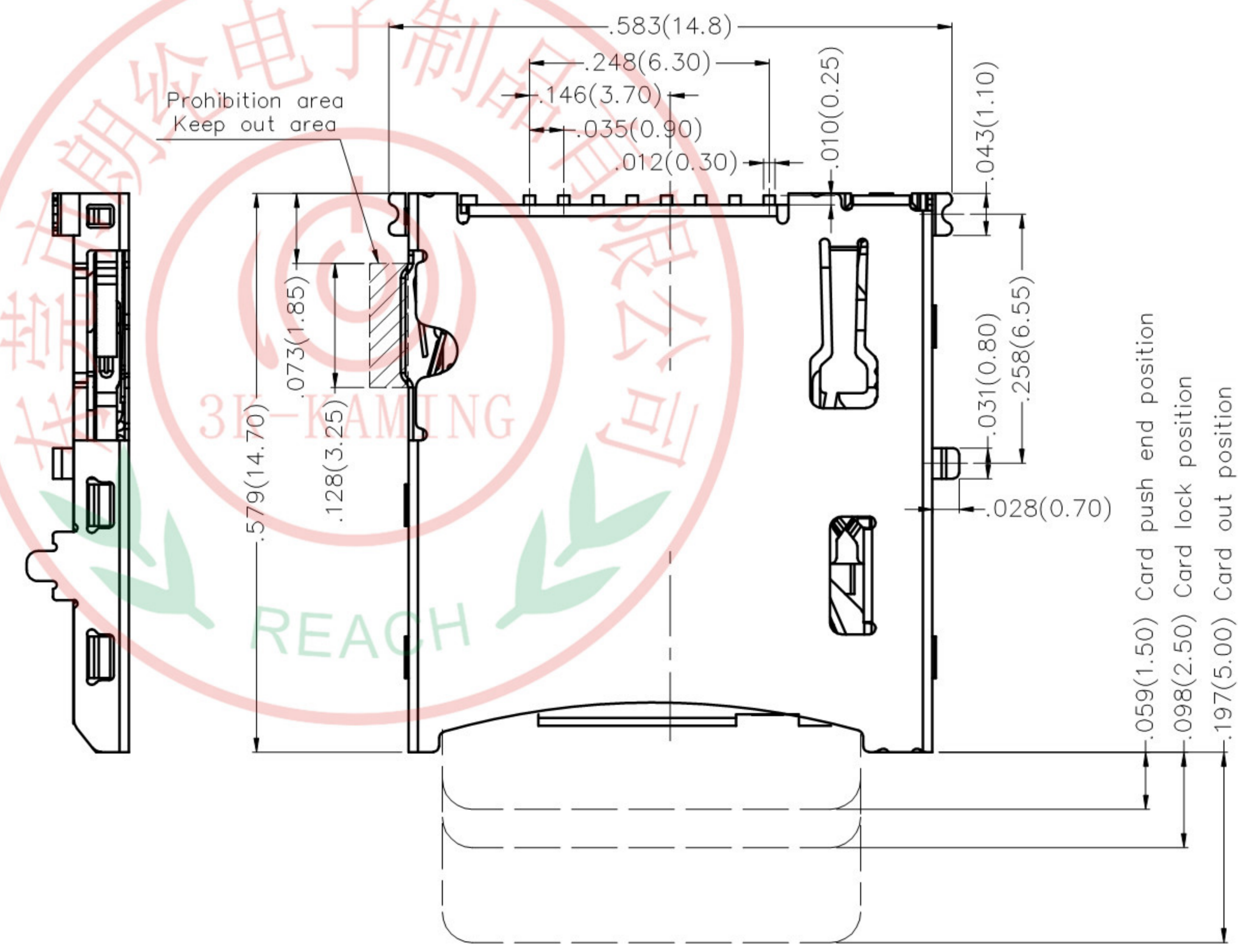
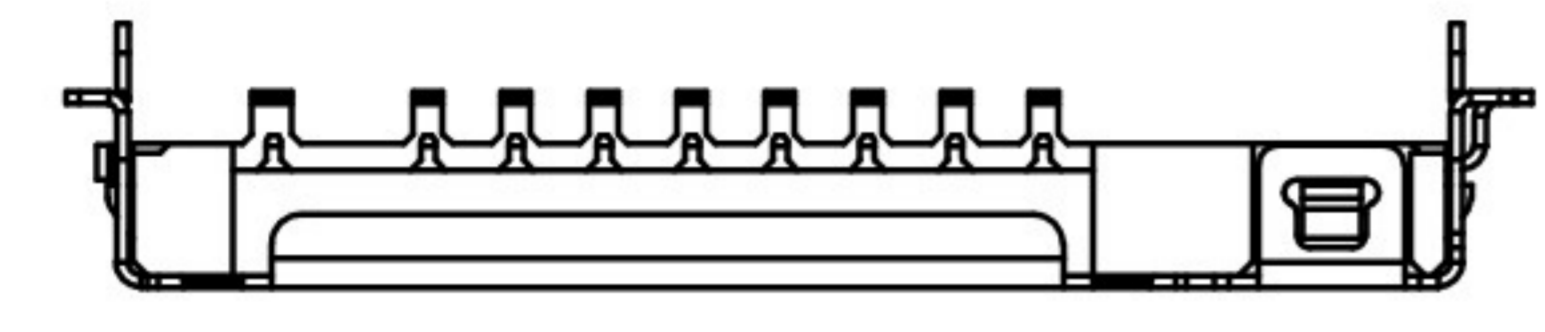
Current Rating: 0.5A AC(rms)/DC
Voltage Rating: 100V AC(rms)/DC
Contact Resistance: 100 mΩ Max
Insulation Resistance: 1000 MΩ Min/DC 250V
Withstanding Voltage: 500V AC r.m.s
Temperature Range-Operating: -25°C~+85°C

Material

Housing: LCP (UL 94V-0) Black
Contact: Copper alloy
Shell: Stainless steel

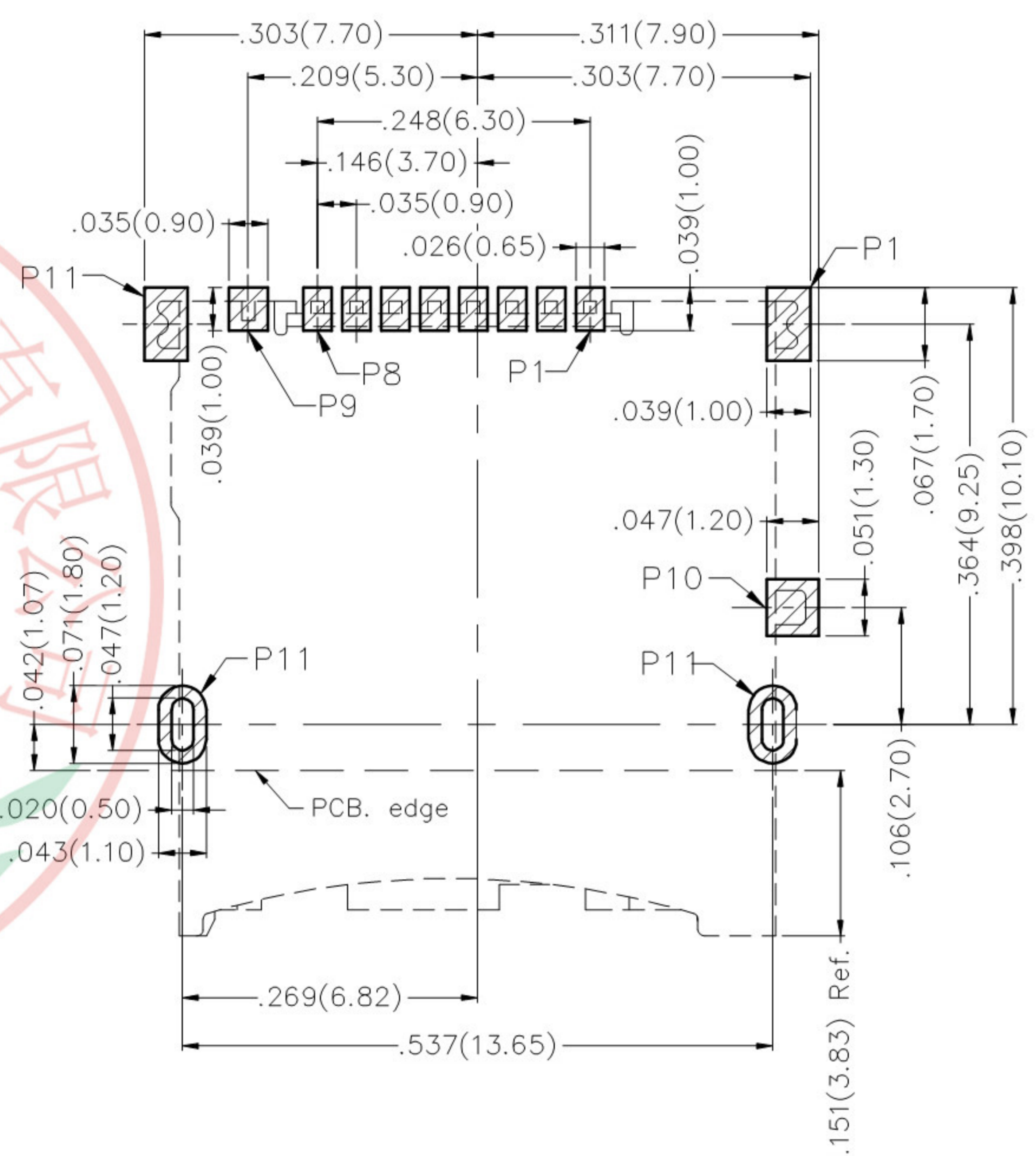
Plating

Contact: 1μ" gold in contact area, gold flash in solder area, Nickel plated overall
Shell: 1μ" gold in solder area, Nickel plated overall



<p>THIRD ANGLE PROJECTION</p>	GENERAL TOLERANCES (UNLESS SPECIFIED)		APPROVE BY	DATE	PART NO.	ITEM NO.	<p>3K-KAMING</p>
	X.±.012(0.30)	X'.±5'	FRANK	16/JUL/19	FCD430-7M	FCD430	
	X.X±.008(0.20)	.X'±2'	CHECKED BY	DATE	TITLE		
	X.XX±.006(0.15)	.XX'±1'	CHERRY	16/JUL/19	Micro sd card connector(H=2mm)		
SCALE	SIZE	X.XXX±.004(0.10)	.XXX'±0.5'	DRAWN BY	DATE	THIS DRAWING CONTAINS INFORMATION THAT IS PROPRIETARY TO DONG GUAN LANG LUN(3K-KAMING) ELECTRONIC PRODUCTS CO.,LTD. AND SHOULD NOT BE USED WITHOUT WRITTEN PERMISSION	
5:1	A4			KATE	16/JUL/19	REV 0	SHEET NO. 1/3

REV	LOCATIONS	DESCRIPTION	DATE	REVISER	APPD



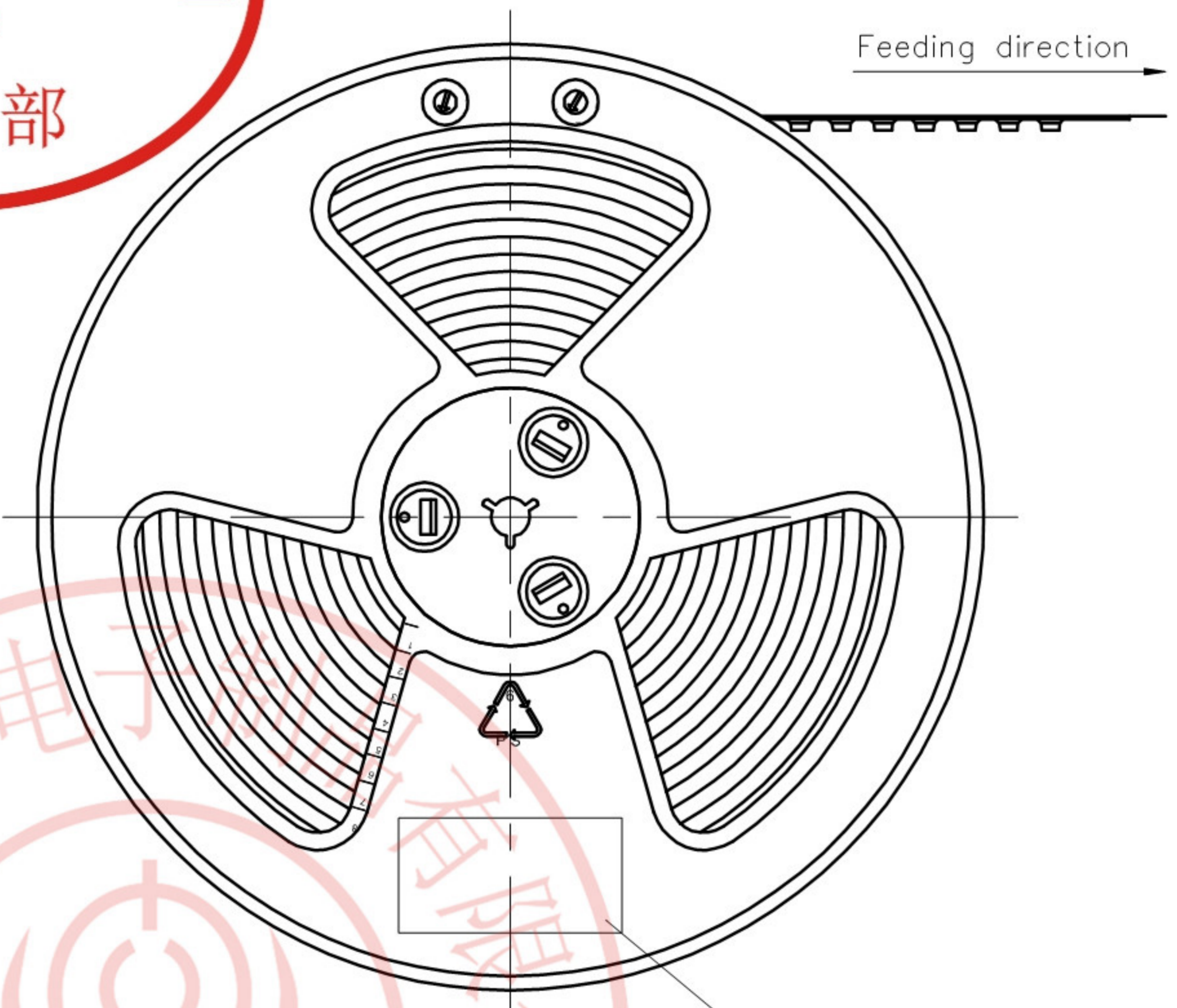
Pad area
 Keep out area

Pin No.	PIN ASSIGNMENT
P1	MICRO SD_DAT2
P2	MICROSD SD_CD/DAT3
P3	MICRO SD_CMD
P4	MICRO SD_VDD
P5	MICRO SD_CLK
P6	MICRO SD_VSS
P7	MICRO SD_DAT0
P8	MICRO SD_DAT1
P9	MICRO SD_CD
P10	MICRO SD_GND

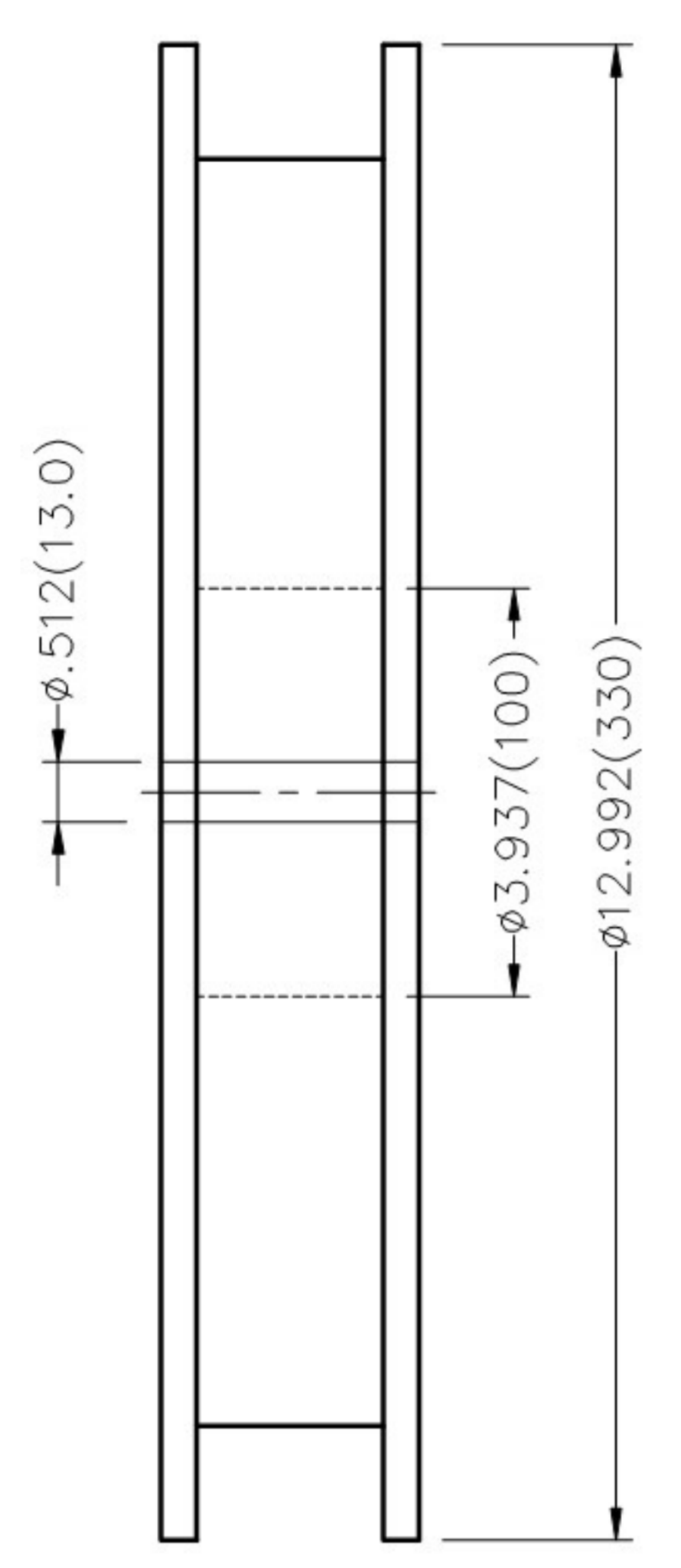
Recommended P.C.Board Layout
 General tolerances: $\pm 0.002(0.05)$



 THIRD ANGLE PROJECTION DESIGN UNITS Inch (metric) SCALE 5:1 SIZE A4	GENERAL TOLERANCES (UNLESS SPECIFIED)		APPROVE BY FRANK	DATE 16/JUL/19	PART NO. FCD430-7M	ITEM NO. FCD430	 3K-KAMING
	X.±.012(0.30)	X.±5'	CHECKED BY CHERRY	DATE 16/JUL/19	TITLE Micro sd card connector(H=2mm)		
	X.XX±.008(0.20)	.X'±2'	DRAWN BY KATE	DATE 16/JUL/19	THIS DRAWING CONTAINS INFORMATION THAT IS PROPRIETARY TO DONG GUAN LANG LUN(3K-KAMING) ELECTRONIC PRODUCTS CO.,LTD. AND SHOULD NOT BE USED WITHOUT WRITTEN PERMISSION		
	X.XX±.006(0.15)	.XX'±1'			SHEET NO. 2/3		
	X.XXX±.004(0.10)	.XXX'±0.5'					

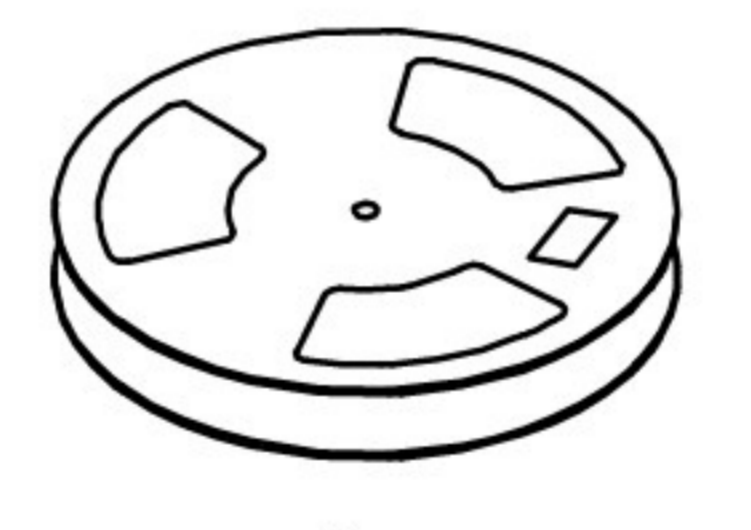
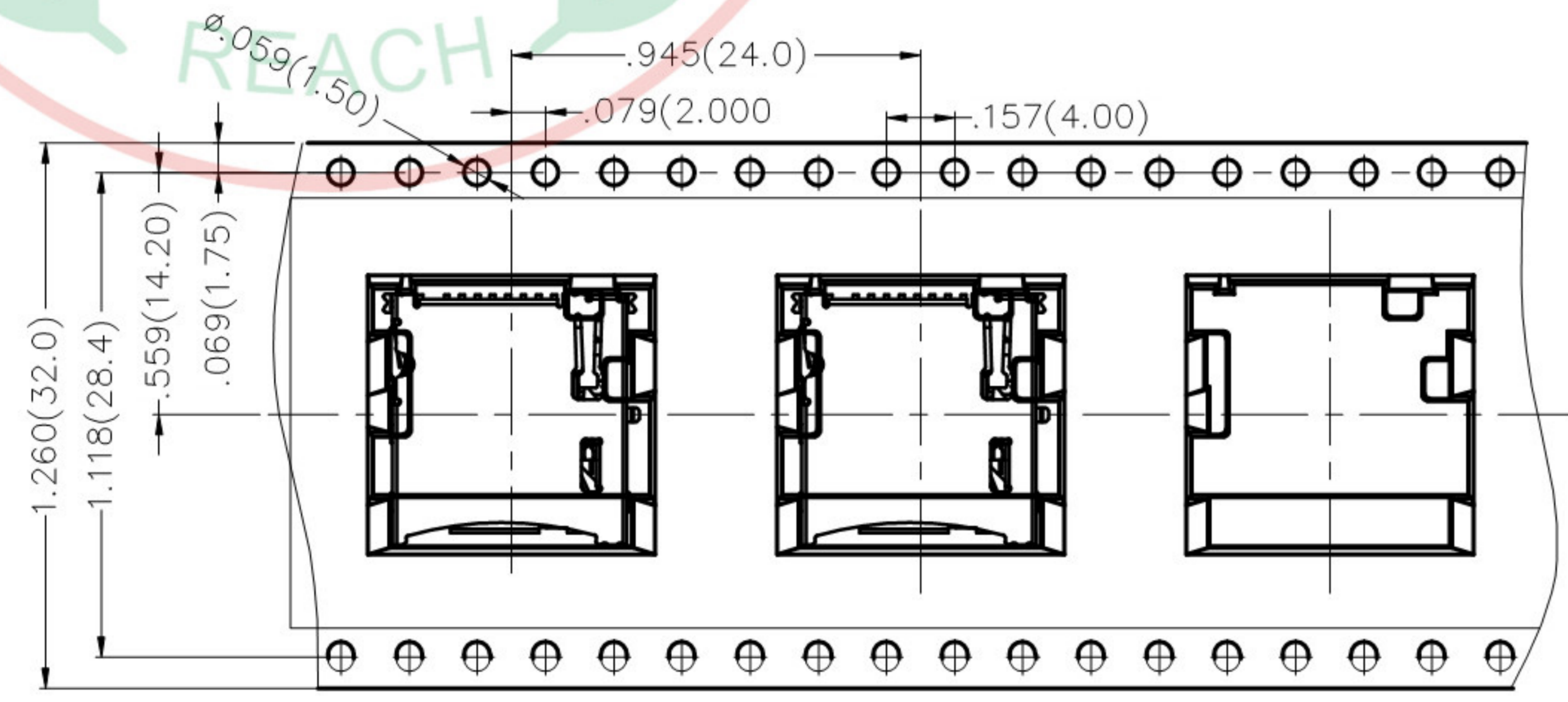
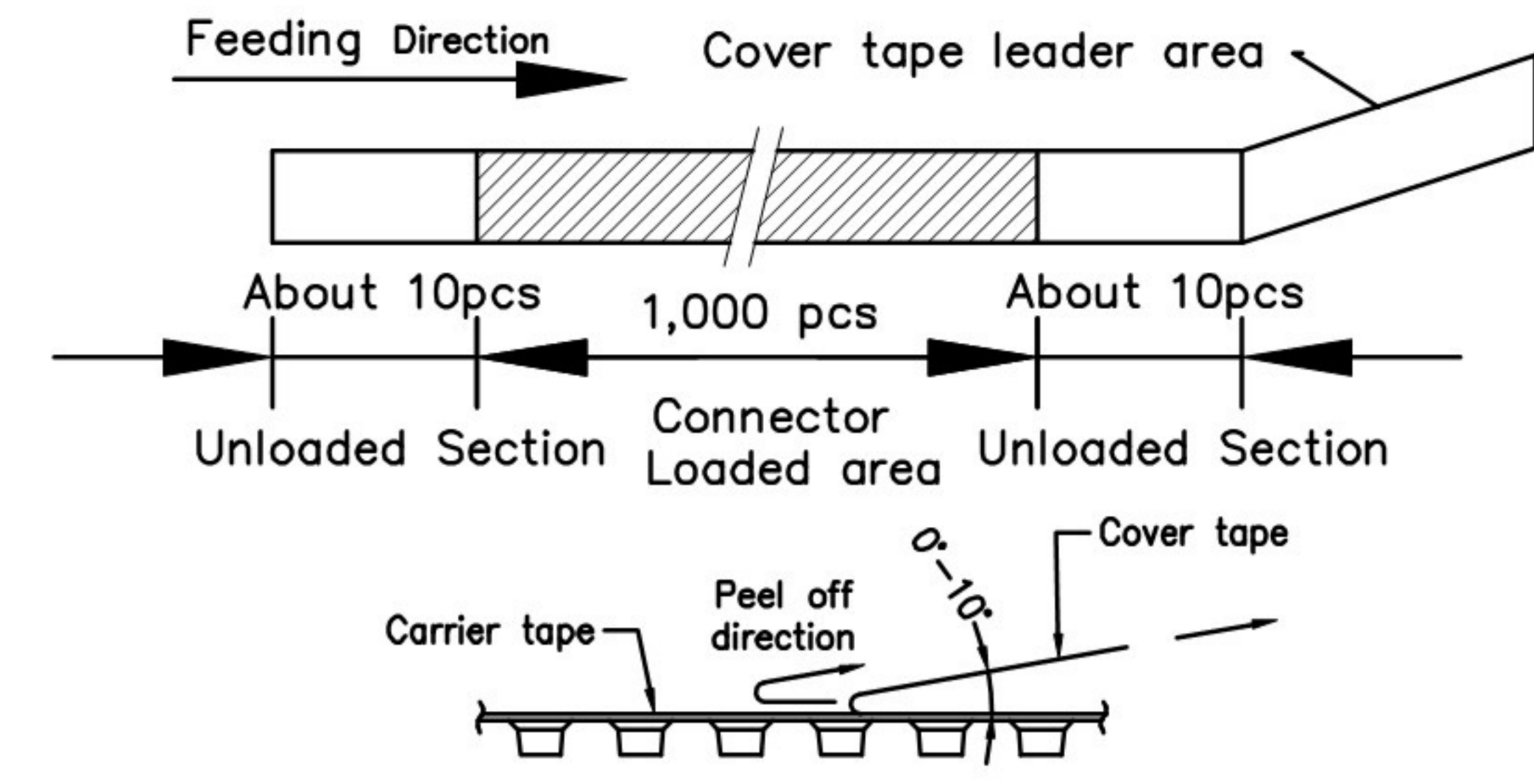


Interior Lable



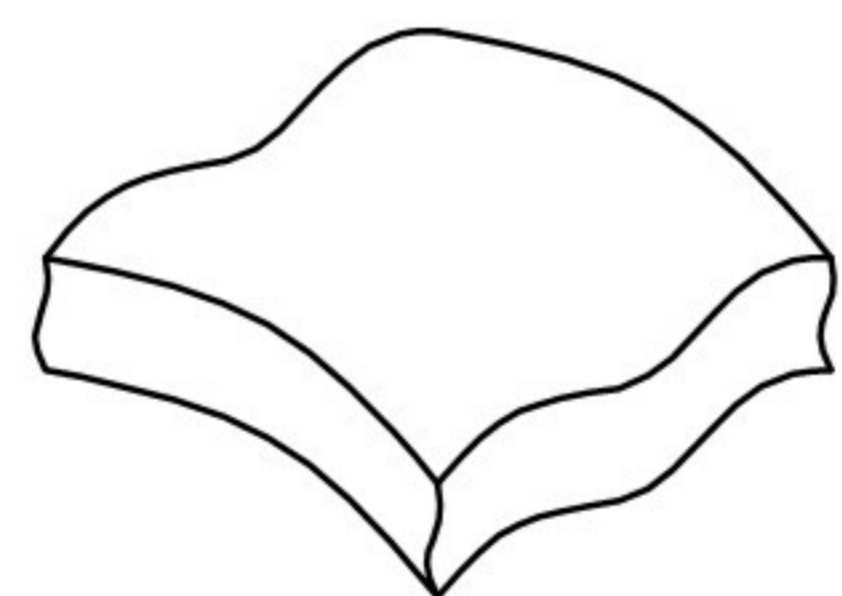
REV	LOCATIONS	DESCRIPTION	DATE	REVISER	APPD

- Note:
- 10 sprocket hole cumulative tolerance ± 0.2
 - Carrier camber is within 1.0mm in 100mm
 - Material: White Conductive polystyrene Alloy 100% recyclable
 - All dimensions meet EIA-481-3 requirements
 - Component load per 13" reel: 1,000 pcs

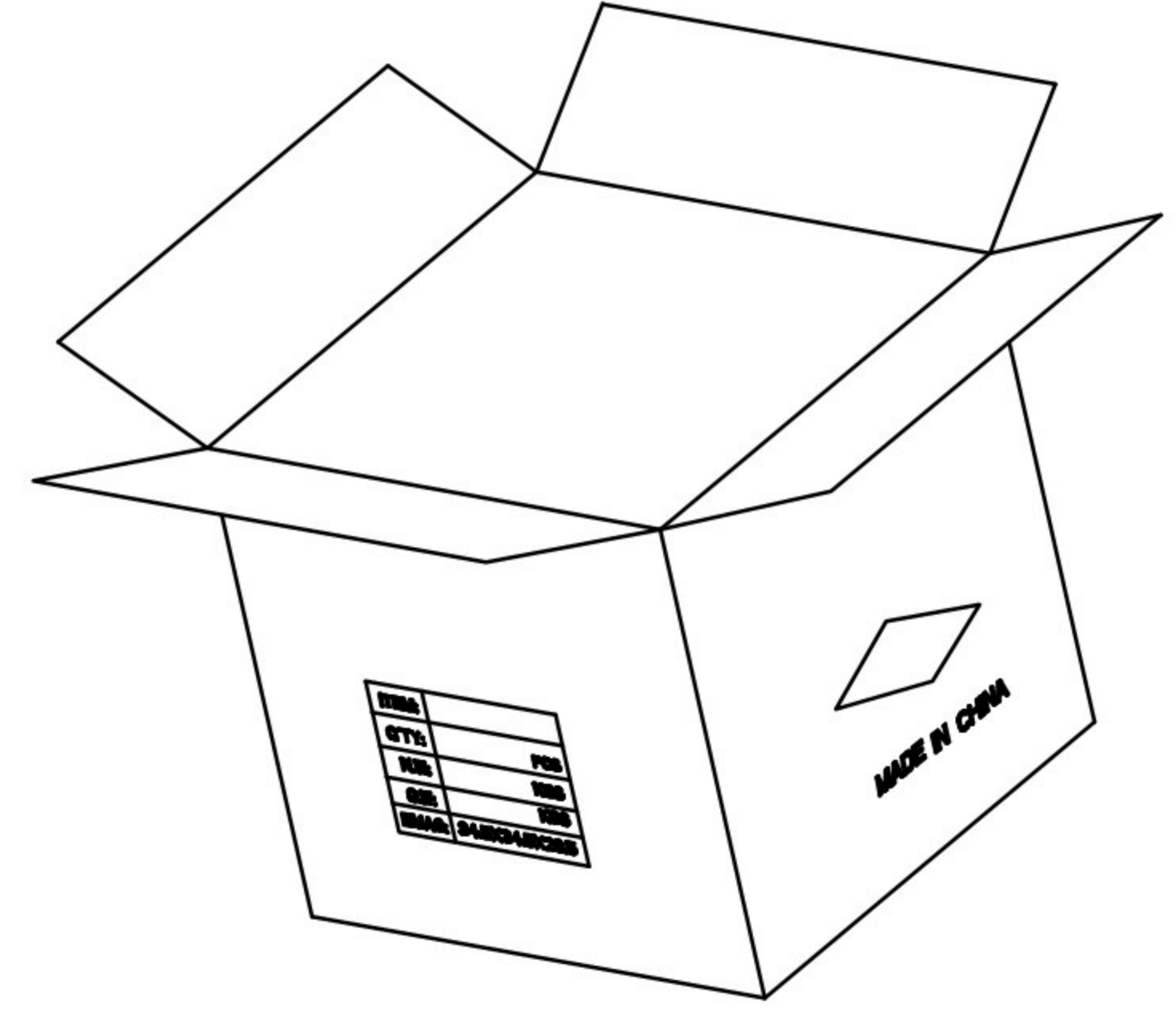


1,000 pcs/Reel

PE Bag



Drying agent/pcs



Feeding Direction

 THIRD ANGLE PROJECTION DESIGN UNITS Inch (metric) SCALE 5:1 SIZE A4	GENERAL TOLERANCES (UNLESS SPECIFIED)		APPROVE BY FRANK	DATE 16/JUL/19	PART NO. FCD430-7M	ITEM NO. FCD430	 3K-KAMING REV 0 SHEET NO. 3/3
	X. \pm .012(0.30)	X. \pm 5'	CHECKED BY CHERRY	DATE 16/JUL/19	TITLE Micro sd card connector(H=2mm)		
	X.XX \pm .008(0.20)	.X' \pm 2'	DRAWN BY KATE	DATE 16/JUL/19	THIS DRAWING CONTAINS INFORMATION THAT IS PROPRIETARY TO DONG GUAN LANG LUN(3K-KAMING) ELECTRONIC PRODUCTS CO., LTD. AND SHOULD NOT BE USED WITHOUT WRITTEN PERMISSION		
	X.XX \pm .006(0.15)	.XX' \pm 1'					
	X.XXX \pm .004(0.10)	.XXX' \pm 0.5'					