

REV	LOCATIONS	DESCRIPTION	DATE	REVISER	APPD

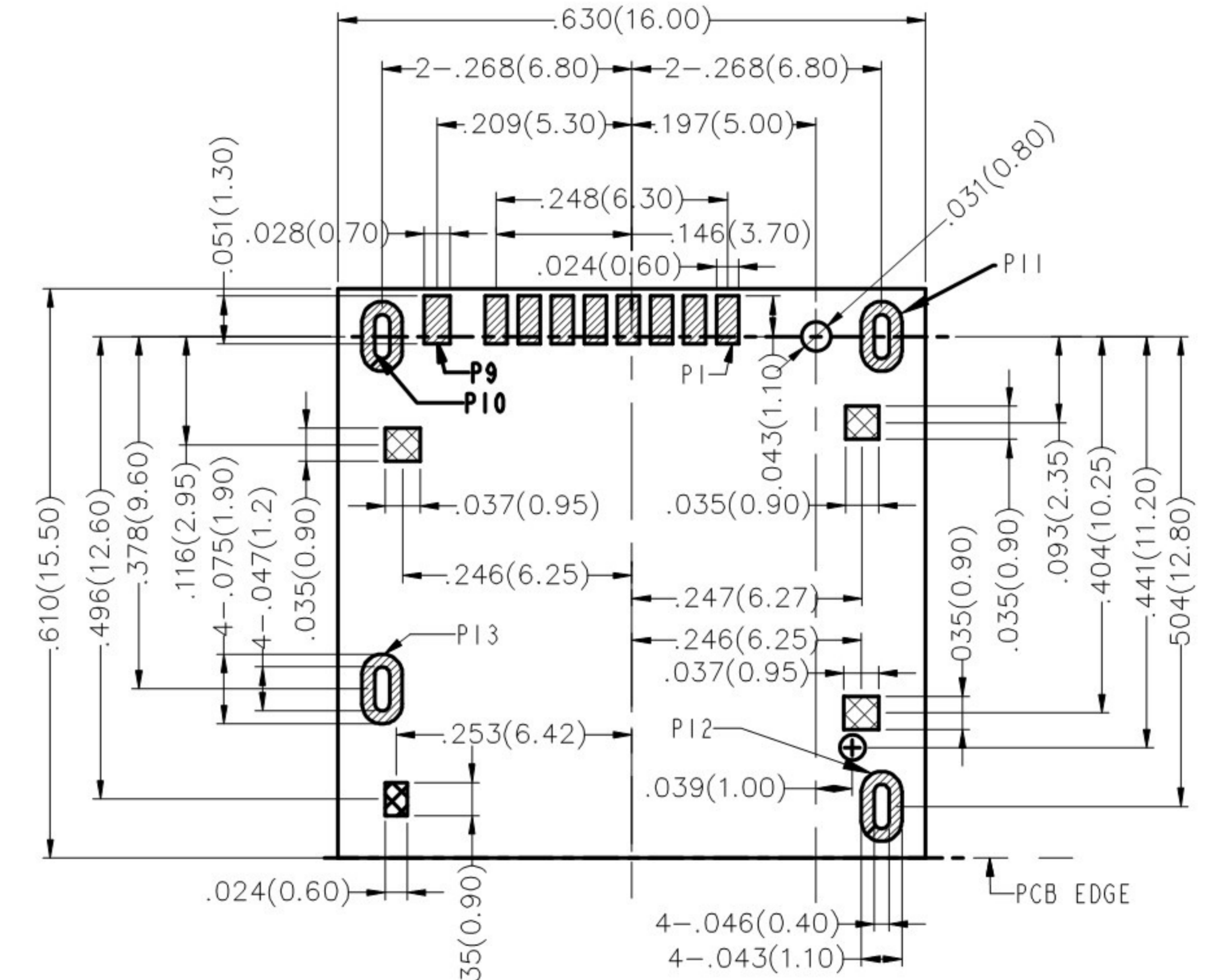
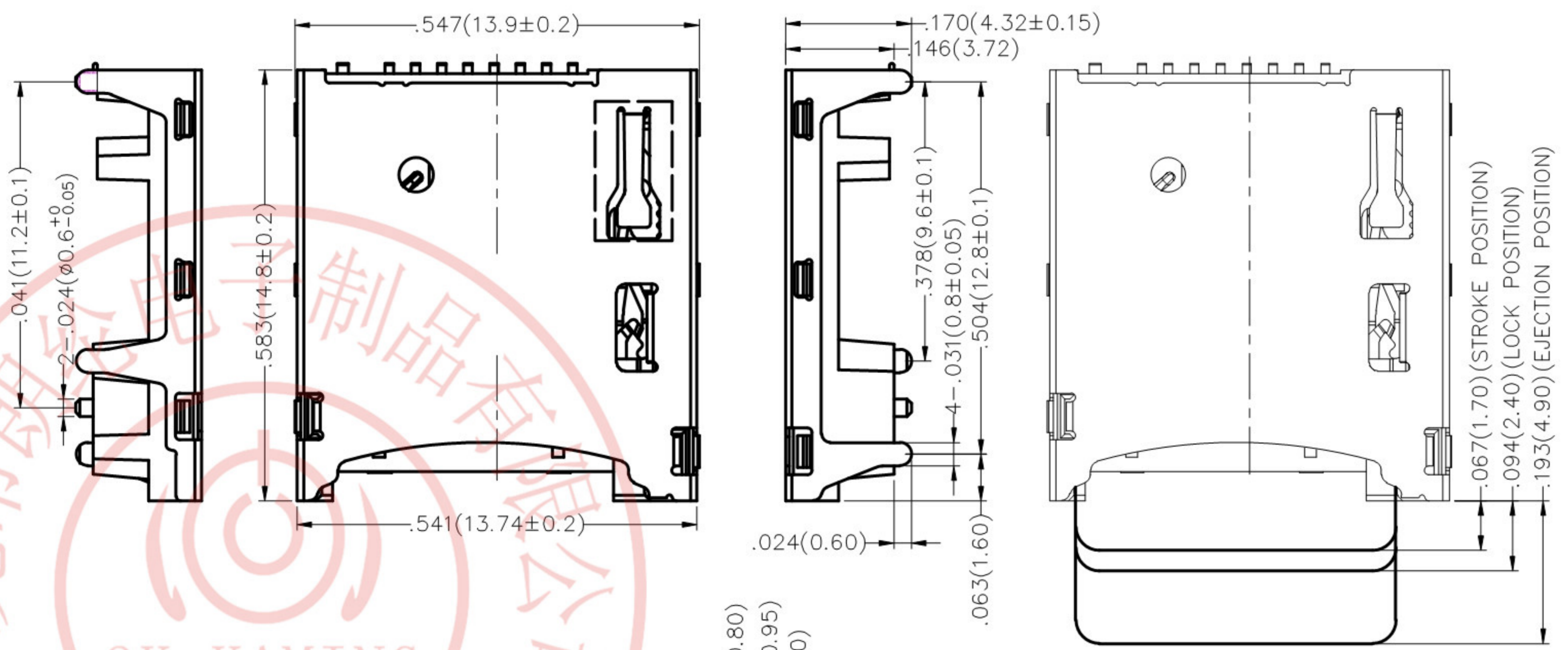
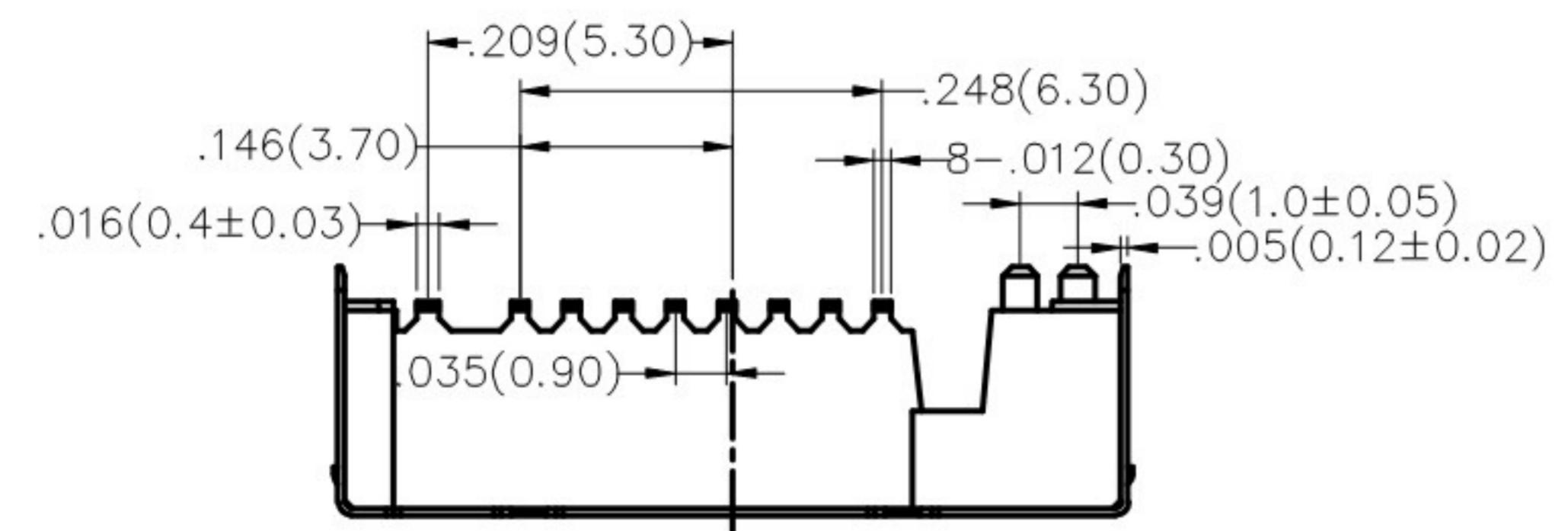
**SPECIFICATIONS**

**Electrical**

Current Rating: 0.5A AC(rms)/DC  
Voltage Rating: 100V AC(rms)/DC  
Contact Resistance: 100 mΩ Max  
Insulation Resistance: 1000 MΩ Min  
Withstanding Voltage: 500V AC r.m.s  
Temperature Range—Operating: -25°C~+85°C  
Durability: 5,000 Cycles

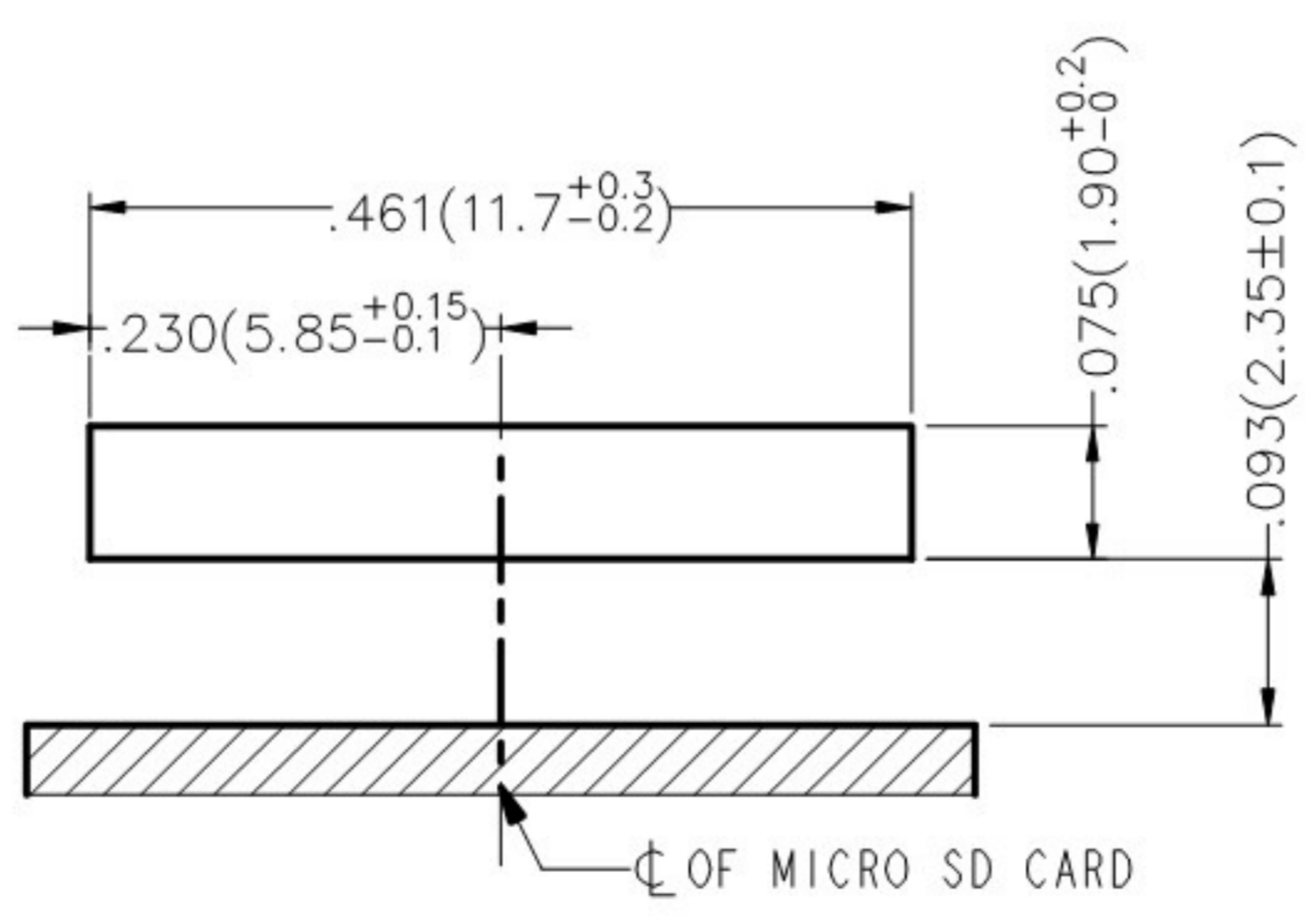
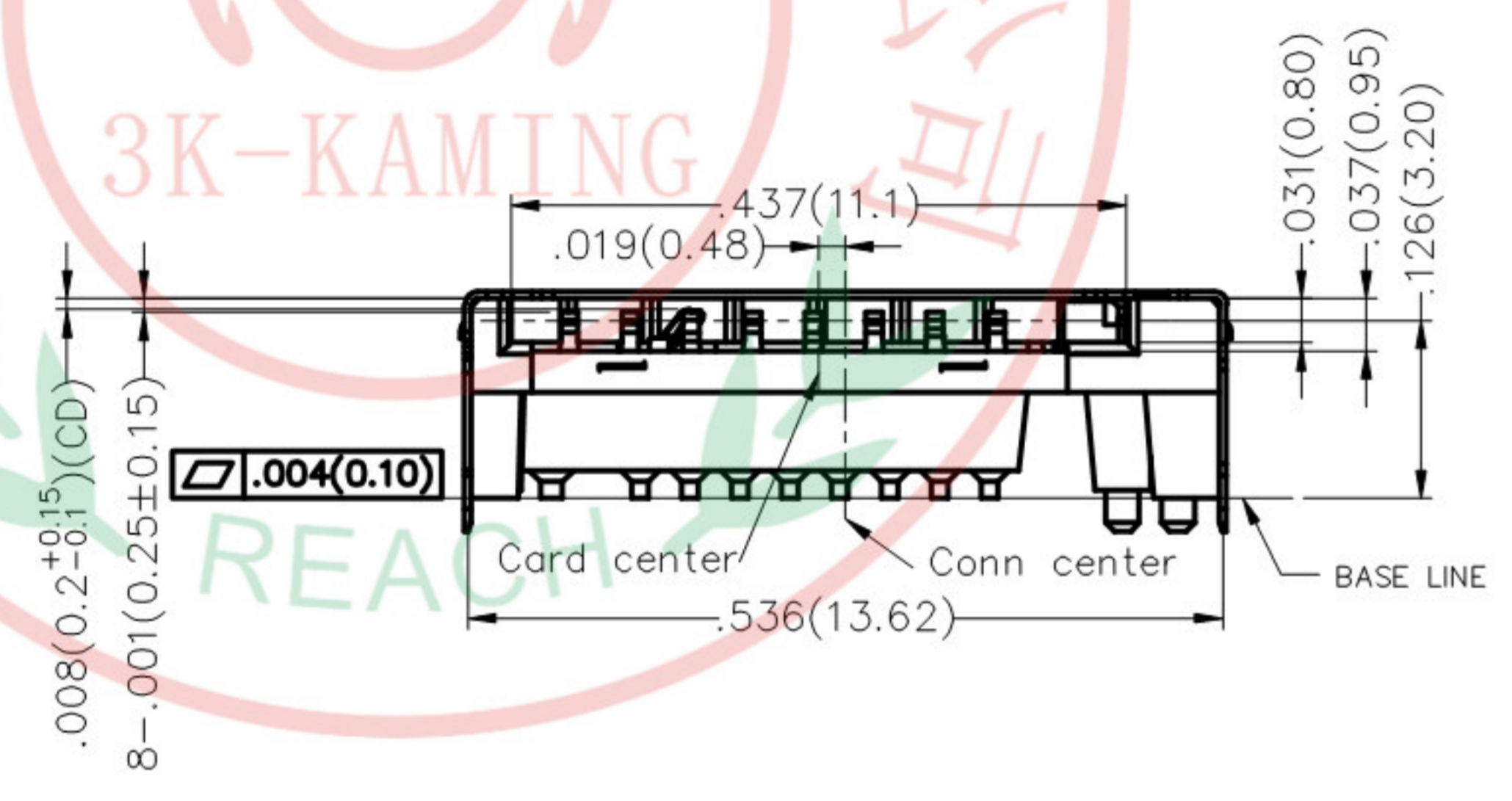
**Material and Plating**

Housing: Thermoplastic (UL 94V-0) Black  
Terminal: Copper Alloy/ Gold plated on contact area,  
Matte tin 100u" Min on solder area, 50u" Min nickel plating overall  
Shell: Stainless Steel SUS304/ 30u" Min Nickel plated overall,  
Au 1u" Min on solder area.



**Recommended P.C. Board Layout**  
Tolerance : ±.002(±0.05)

- Pad Area
- Other Component Keepout Area T
- Red Gluing Area



**Recommended ID Dimension**

Pin No.	Pin Assignment
PIN1	Micro SD DAT2
PIN2	Micro SD CD/DAT3
PIN3	Micro SD CMD
PIN4	Micro SD VDD1
PIN5	Micro SD CLK
PIN6	Micro SD VSS
PIN7	Micro SD DAT0 RCLK+
PIN8	Micro SD DAT1 PCLK-
PIN9	Micro SD CD
PIN10	GND
PIN11	GND
PIN12	GND
PIN13	GND

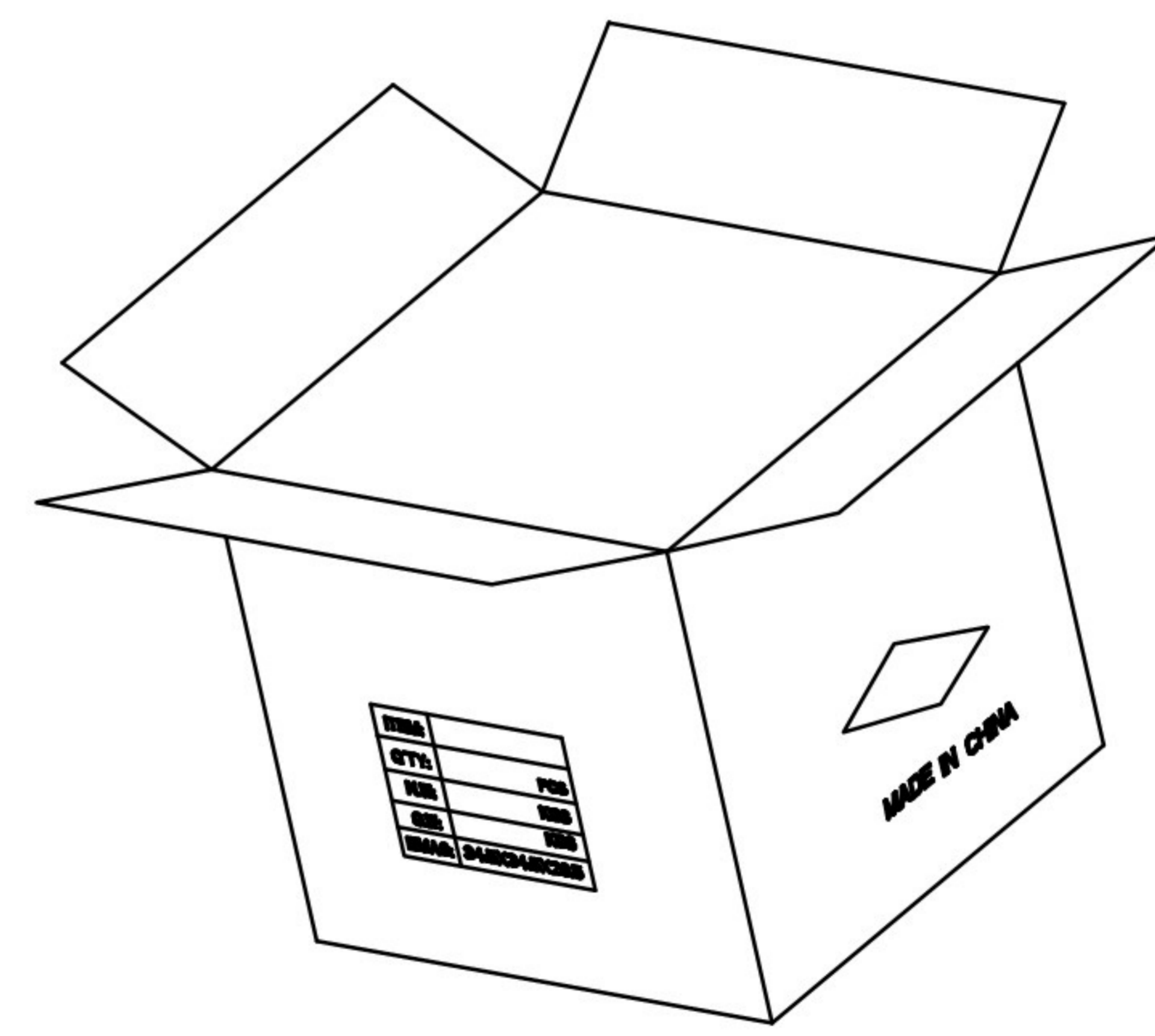
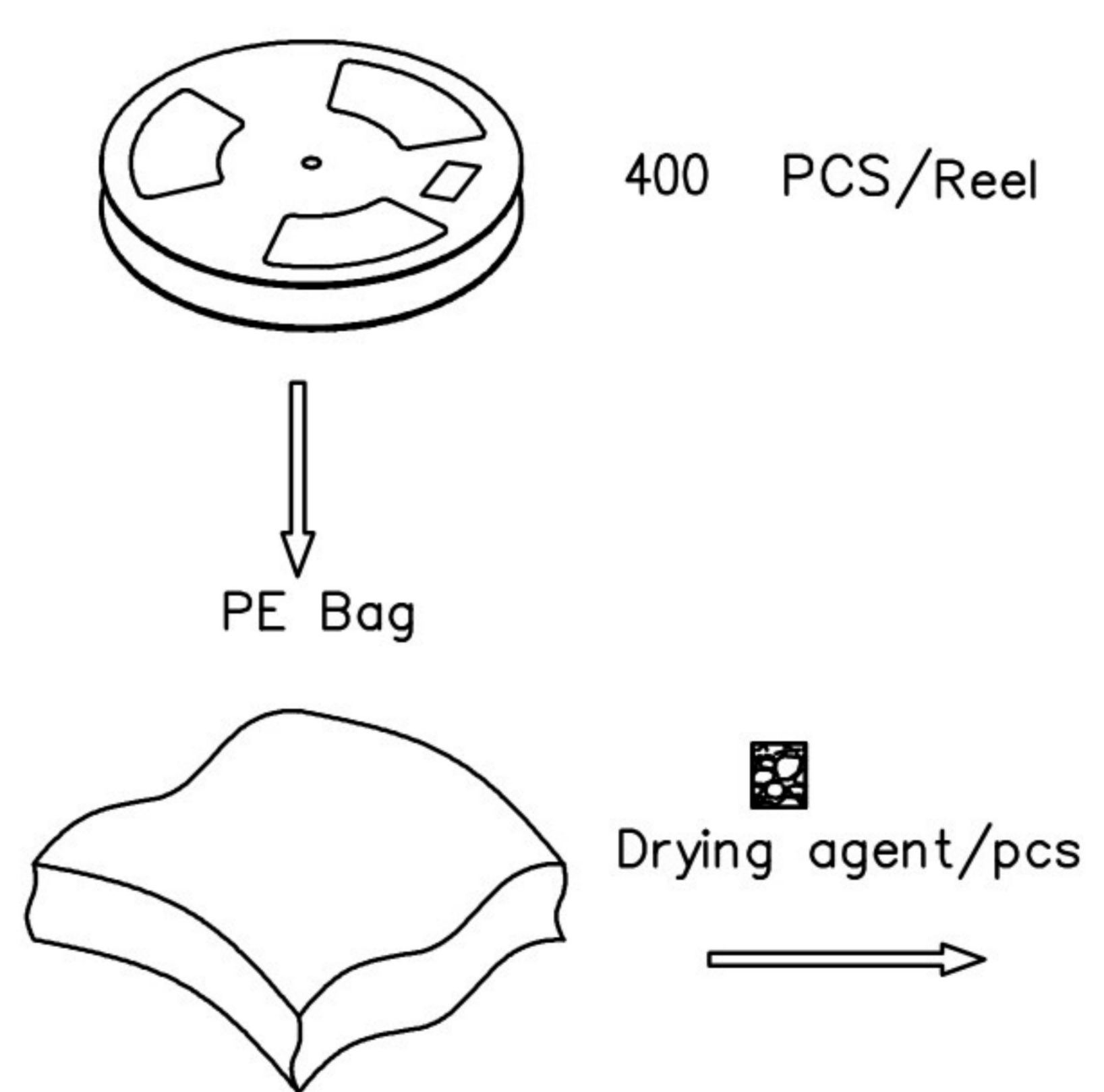
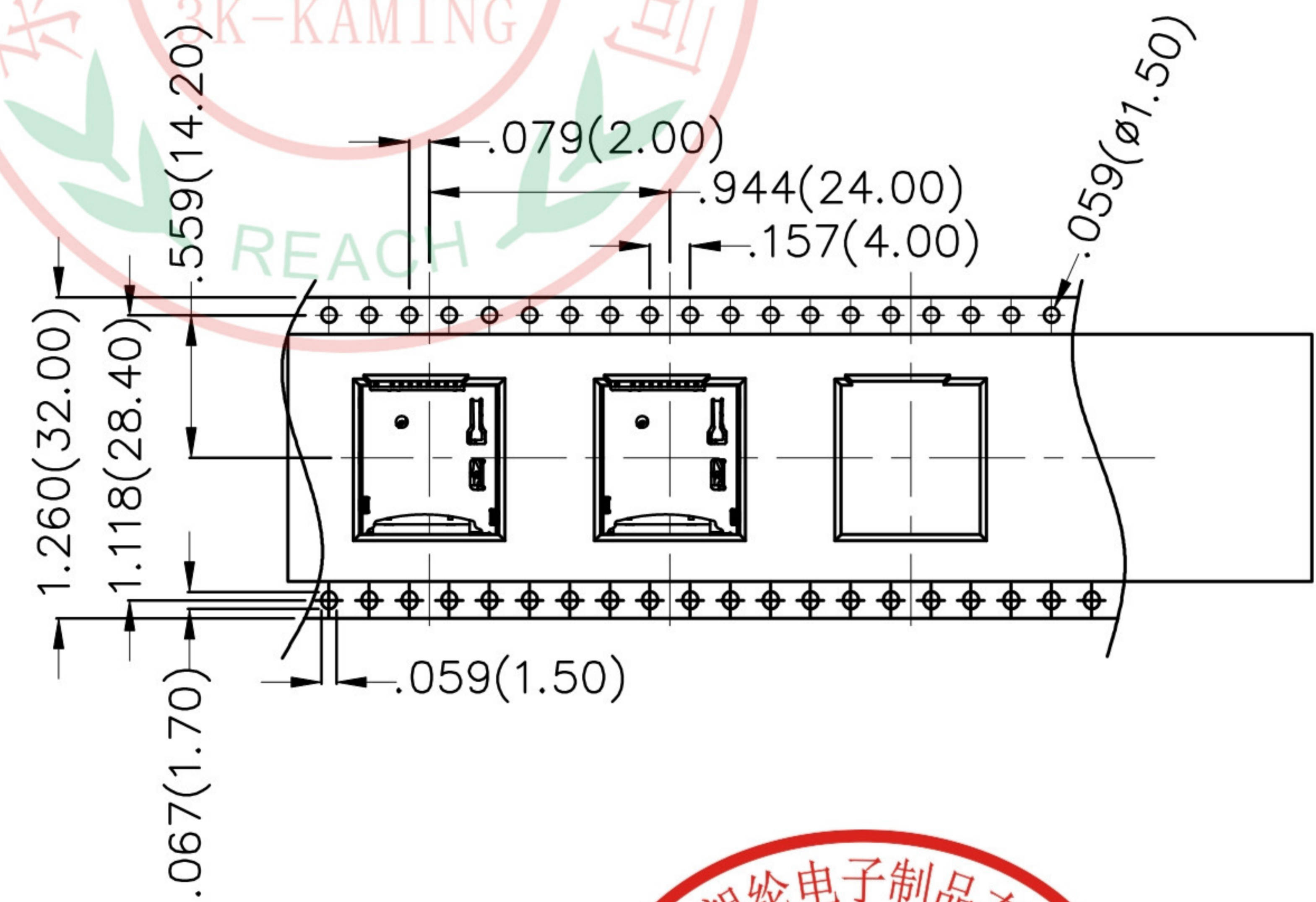
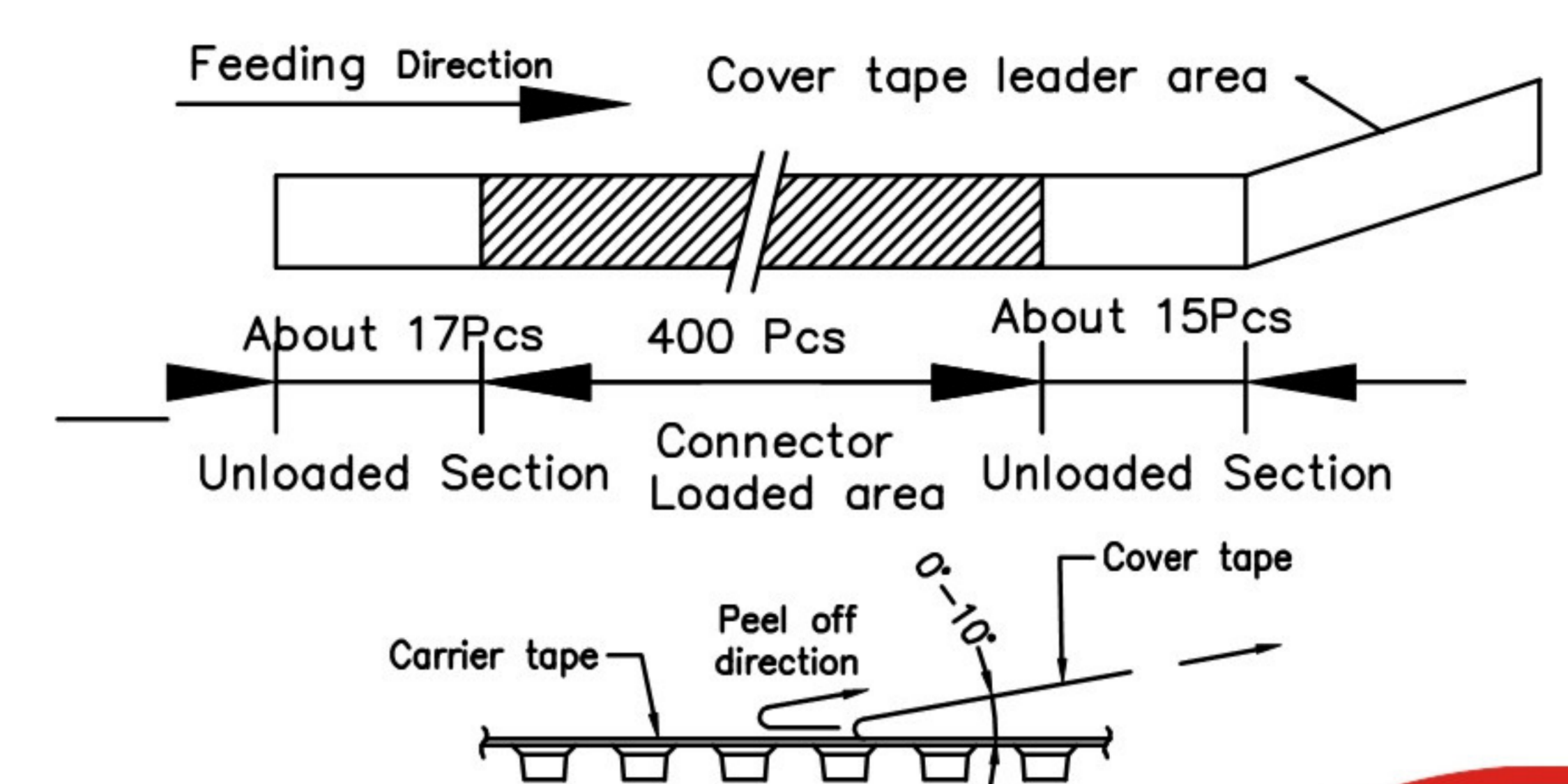
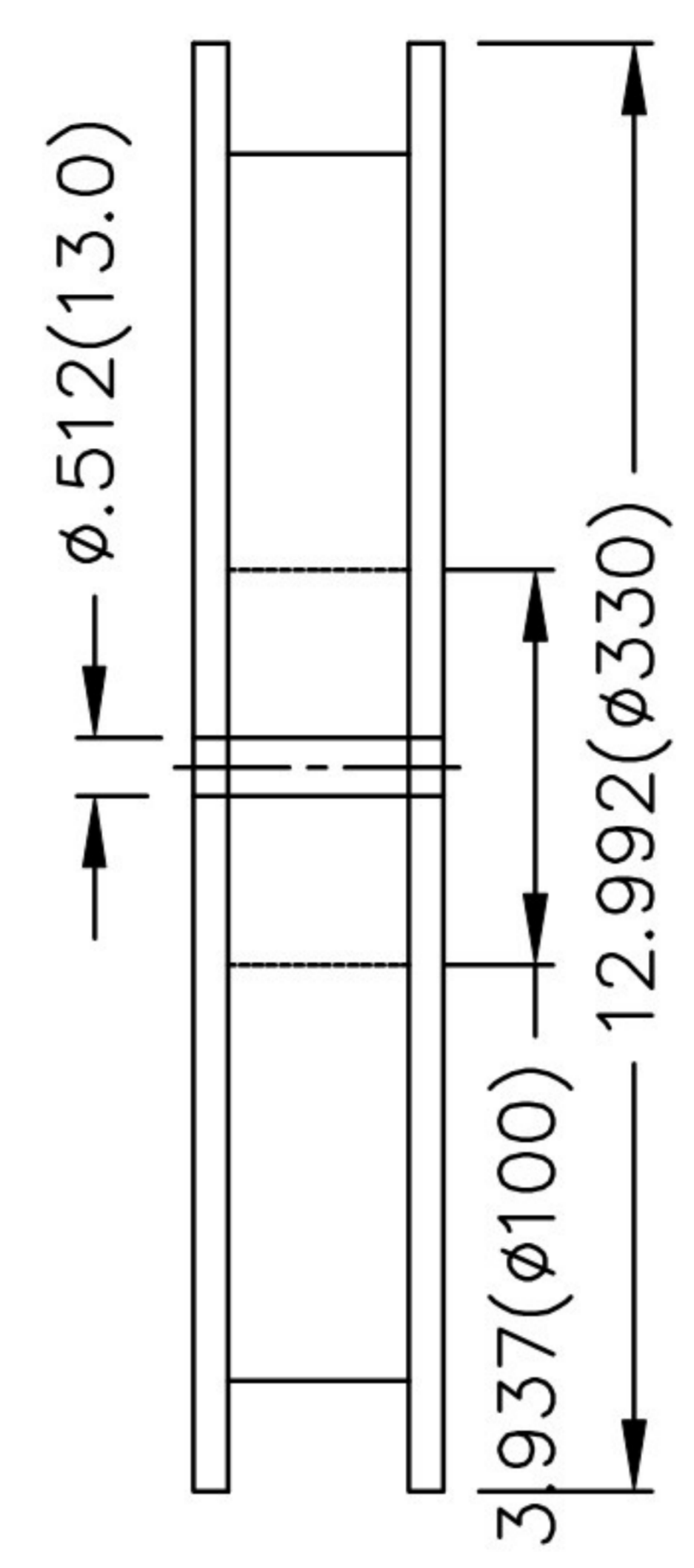
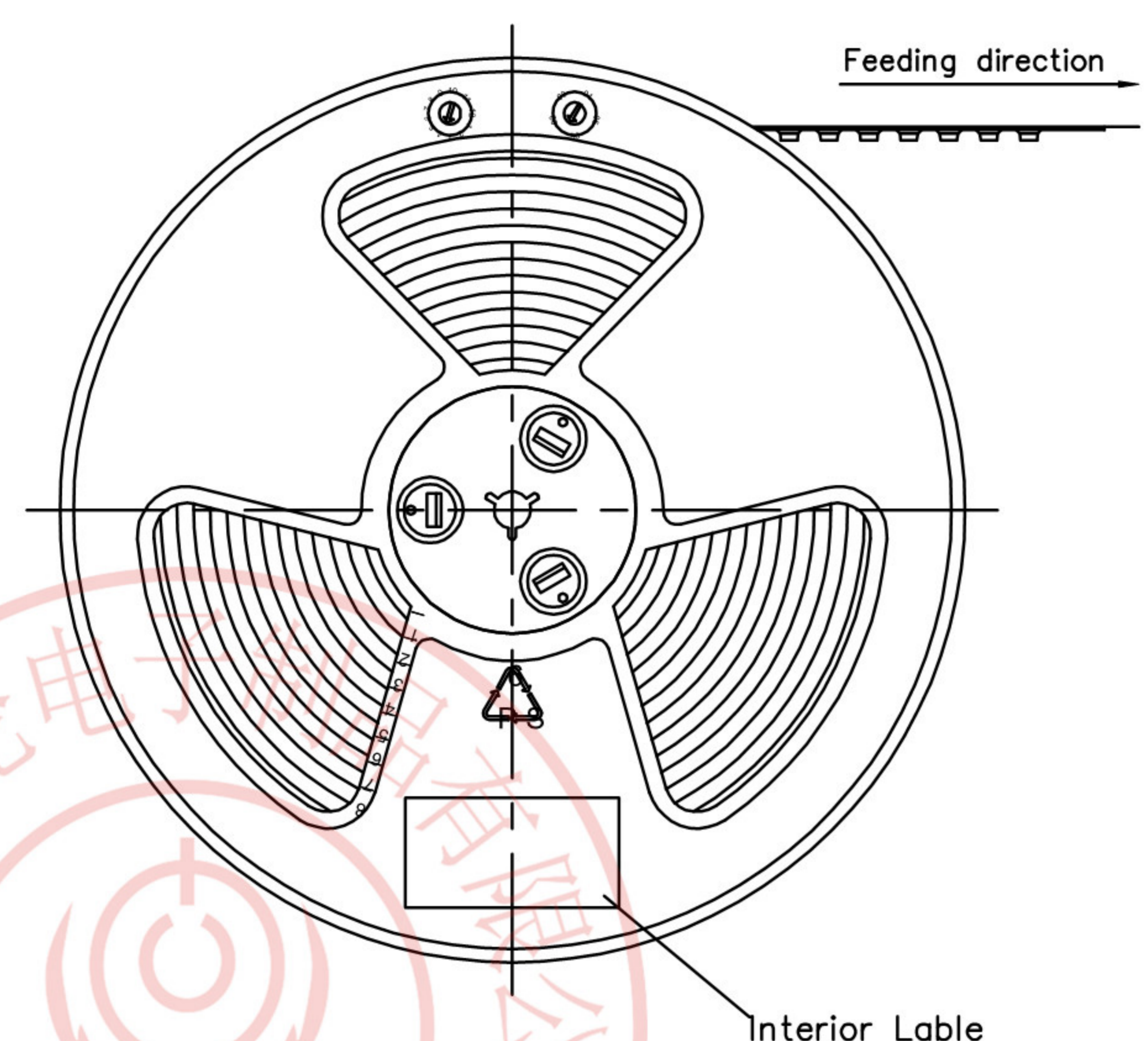


Card Detect Switch	
Card Uninsertion	Open
Card Half Insertion	Open
Card Insertion	Close

 <b>THIRD ANGLE PROJECTION</b> DESIGN UNITS Inch (metric) SCALE 5:1 SIZE A4	<b>GENERAL TOLERANCES (UNLESS SPECIFIED)</b> X.±.012(0.30) X'.±5' X.XX±.008(0.20) .X'±2' X.XX±.006(0.15) .XX'±1' X.XXX±.004(0.10) .XXX'±0.5'		<b>APPROVE BY</b> FRANK <b>DATE</b> 18/JUN/17	<b>PART NO.</b> FCD429-2M <b>ITEM NO.</b> FCD429	 <b>3K-KAMING</b> REV 0 SHEET NO. 1/2 THIS DRAWING CONTAINS INFORMATION THAT IS PROPRIETARY TO DONG GUAN LANG LUN(3K-KAMING) ELECTRONIC PRODUCTS CO., LTD. AND SHOULD NOT BE USED WITHOUT WRITTEN PERMISSION
	<b>CHECKED BY</b> CHERRY <b>DATE</b> 18/JUN/17		<b>DATE</b> 18/JUN/17	<b>TITLE</b> Mirco SD card connector(H: 3.7mm) (Push to Push)	
	<b>DRAWN BY</b> KATE <b>DATE</b> 18/JUN/17		<b>DATE</b> 18/JUN/17	<b>DATE</b> 18/JUN/17	

REV	LOCATIONS	DESCRIPTION	DATE	REVISER	APPD

- Note:
- 10 sprocket hole cumulative tolerance  $\pm 0.008(0.2)$
  - Carrier camber is within 1.0mm in 100mm
  - Material: White Conductive polystyrene Alloy 100% recyclable
  - All dimensions meet EIA-481-3 requirements
  - Component load per 13" reel: 400pcs



 THIRD ANGLE PROJECTION	GENERAL TOLERANCES (UNLESS SPECIFIED)		APPROVE BY	DATE	PART NO.	ITEM NO.	 3K-KAMING
	X.±.012(0.30)	X.±5'	FRANK	31/JUL/13	FCD429-2M	FCD429	
DESIGN UNITS Inch (metric)	X.X±.008(0.20)	.X'±2'	CHECKED BY	DATE	TITLE		REV 0
SCALE	X.XX±.006(0.15)	.XX'±1'	CHERRY	31/JUL/13	Mirco SD card connector(H:3.7mm) (Push to Push)		
SIZE	X.XXX±.004(0.10)	.XXX'±0.5'	DRAWN BY	DATE	THIS DRAWING CONTAINS INFORMATION THAT IS PROPRIETARY TO DONG GUAN LANG LUN(3K-KAMING) ELECTRONIC PRODUCTS CO.,LTD. AND SHOULD NOT BE USED WITHOUT WRITTEN PERMISSION		
5:1			JACOB	31/JUL/13			