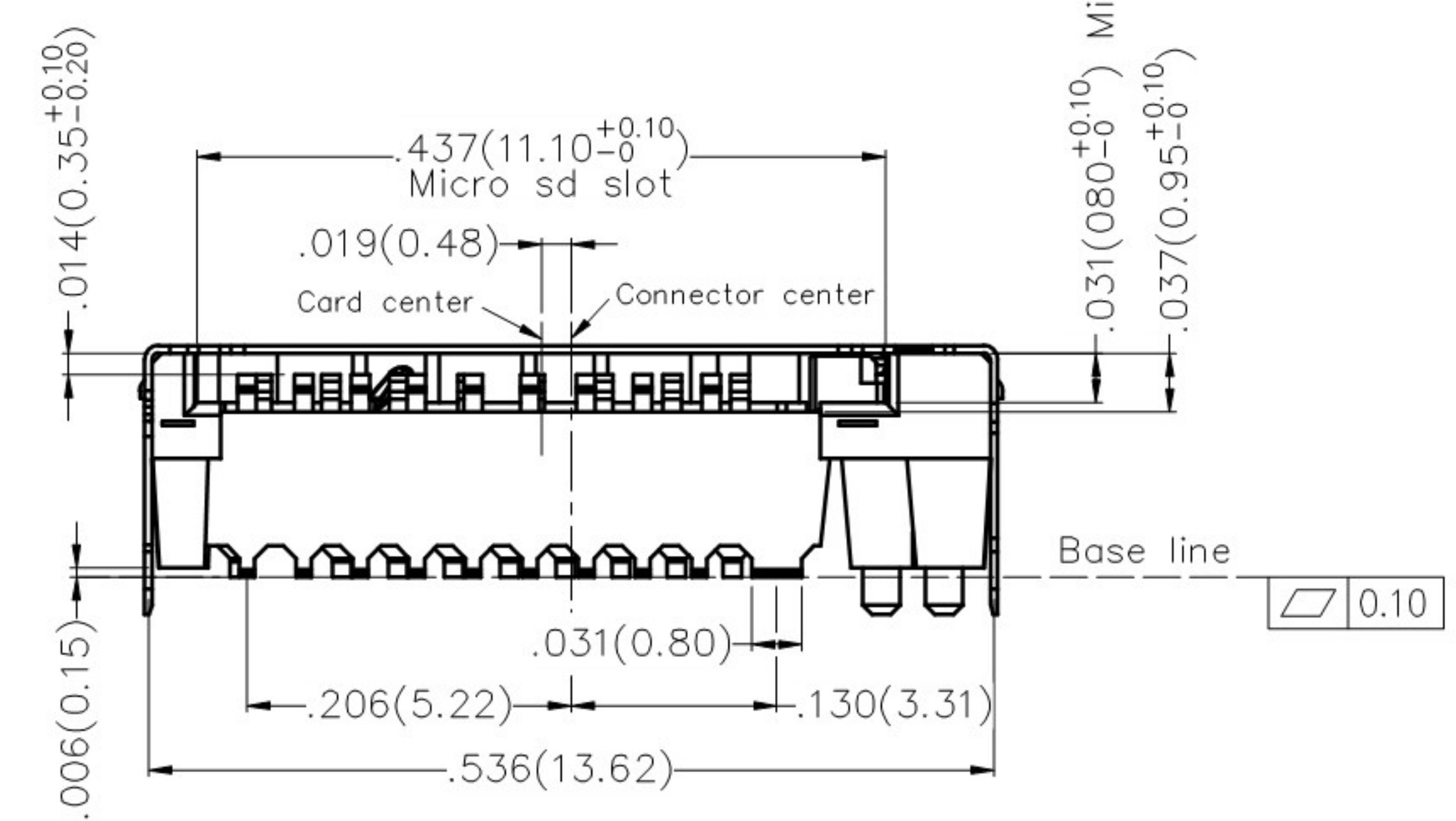
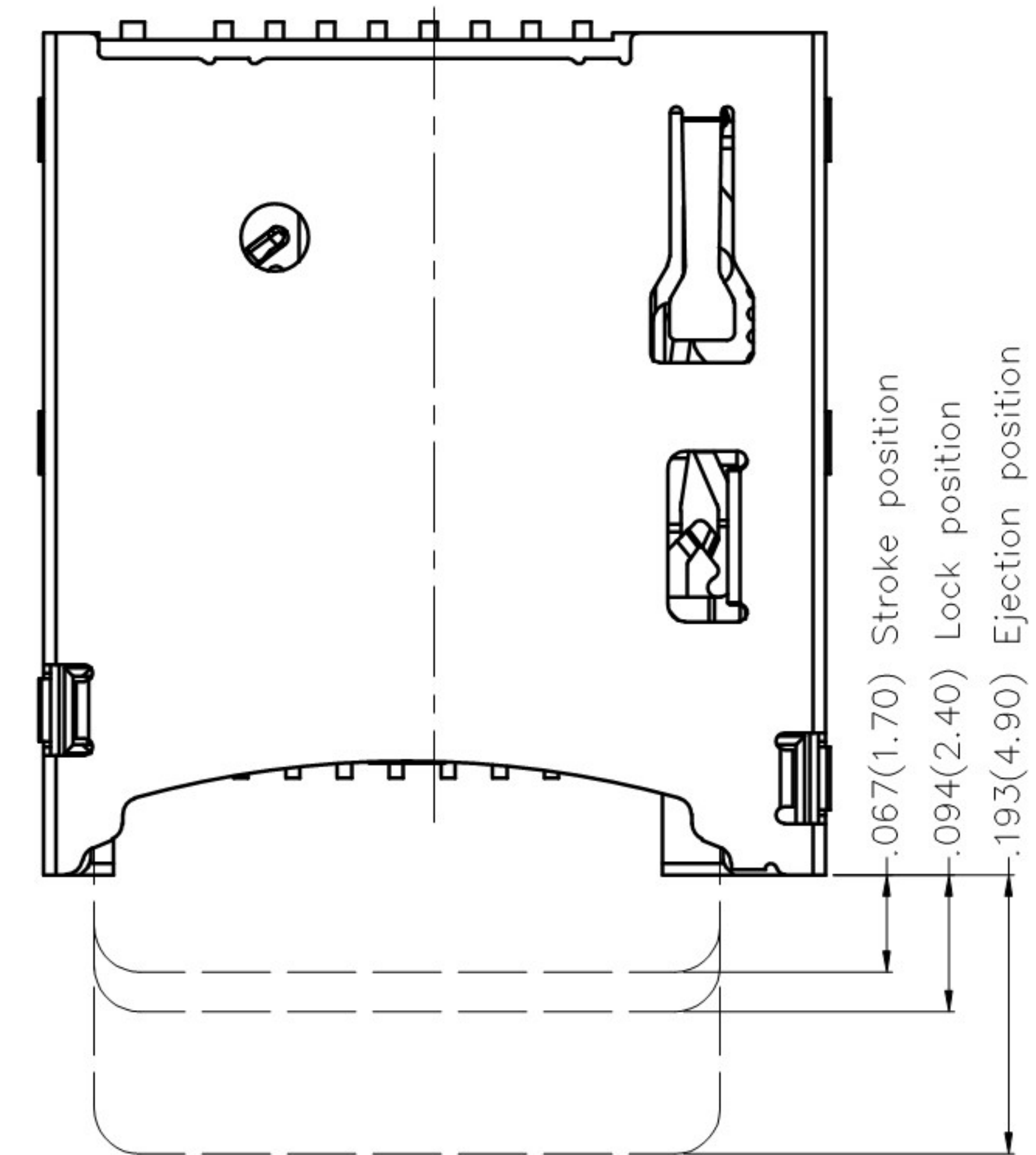
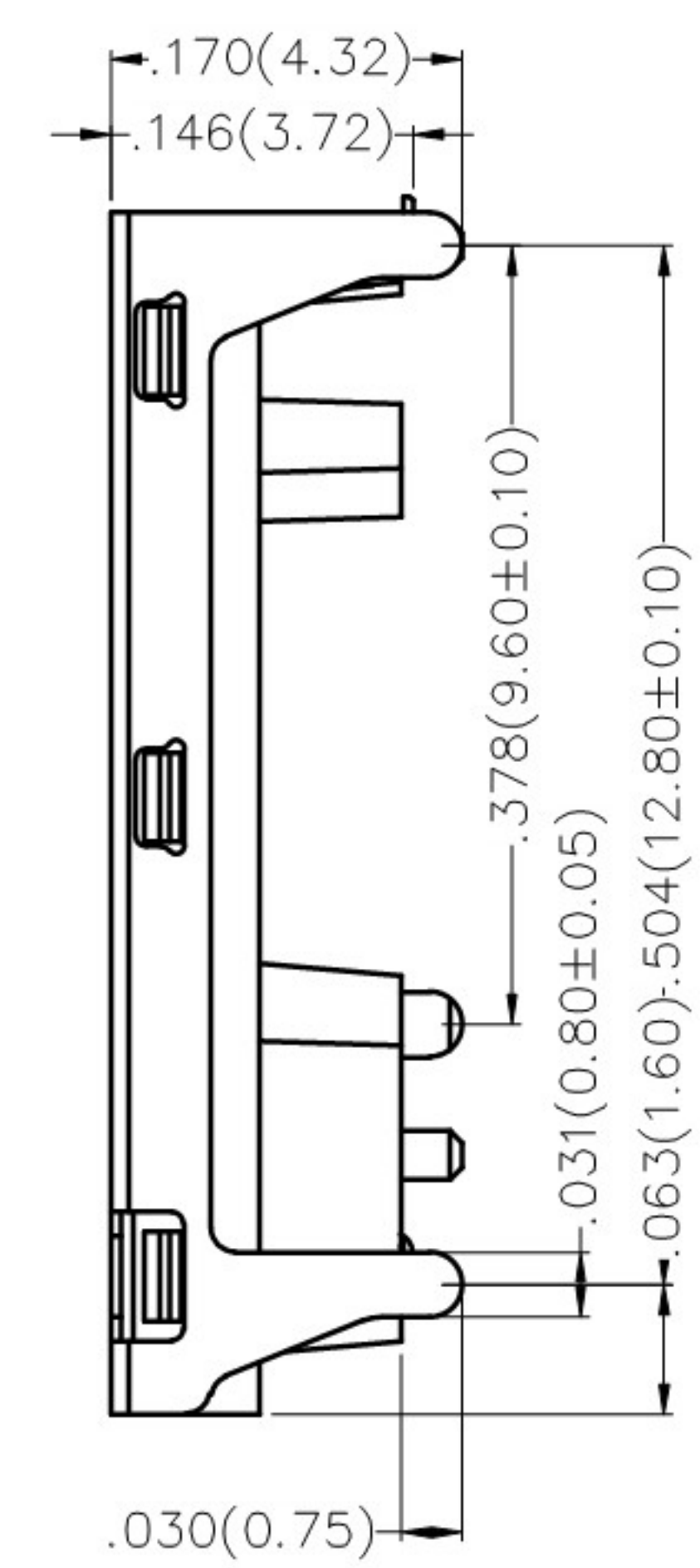
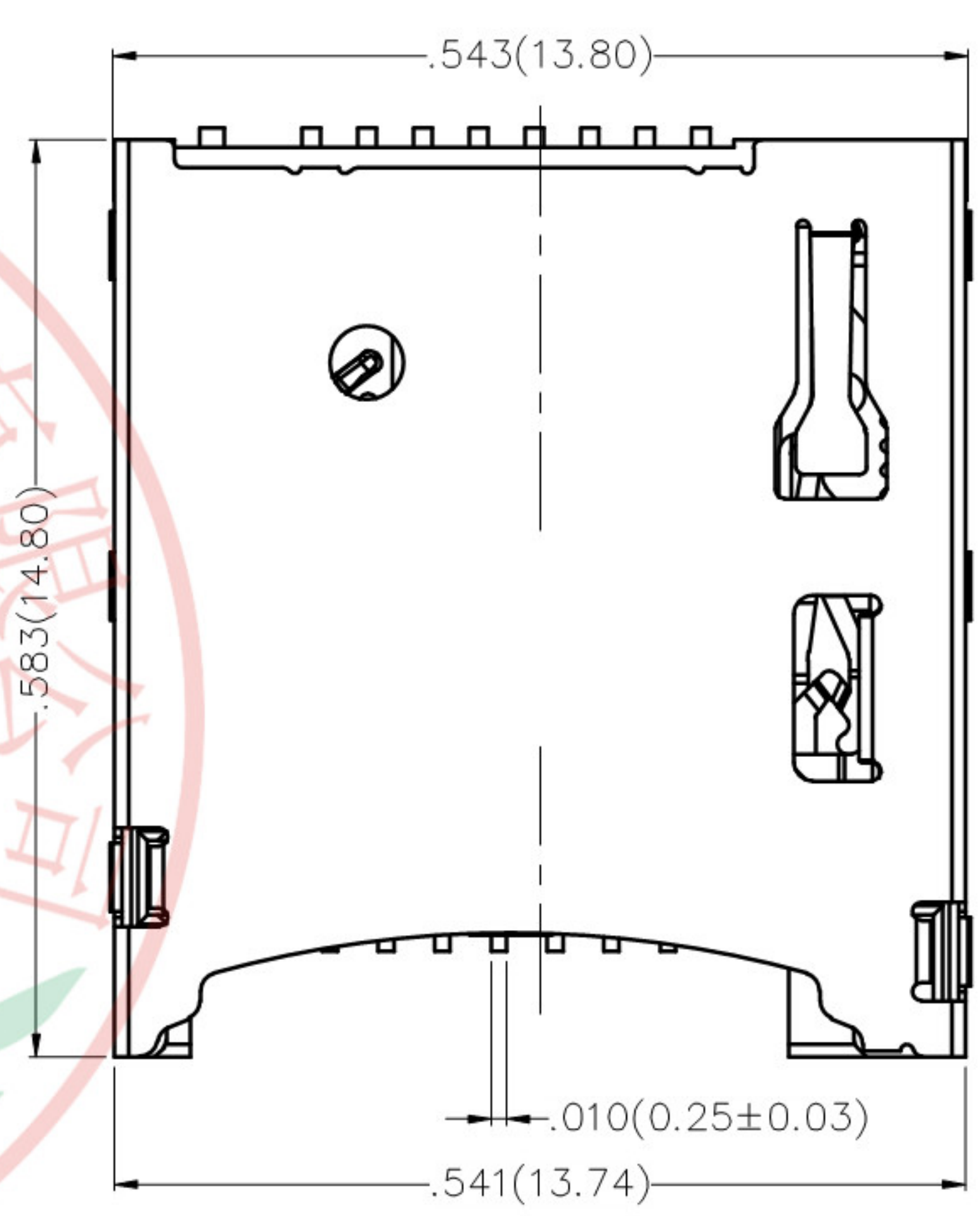
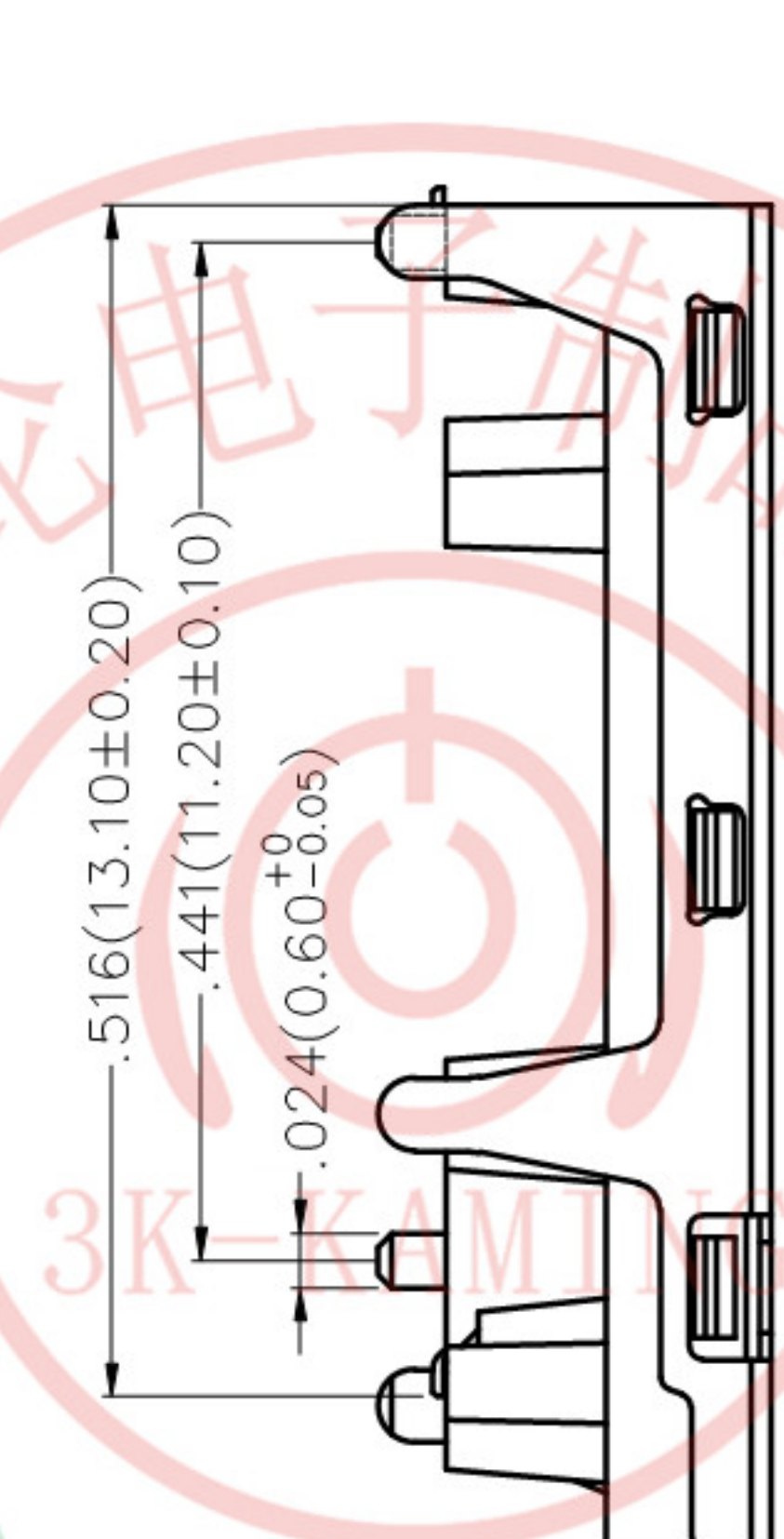
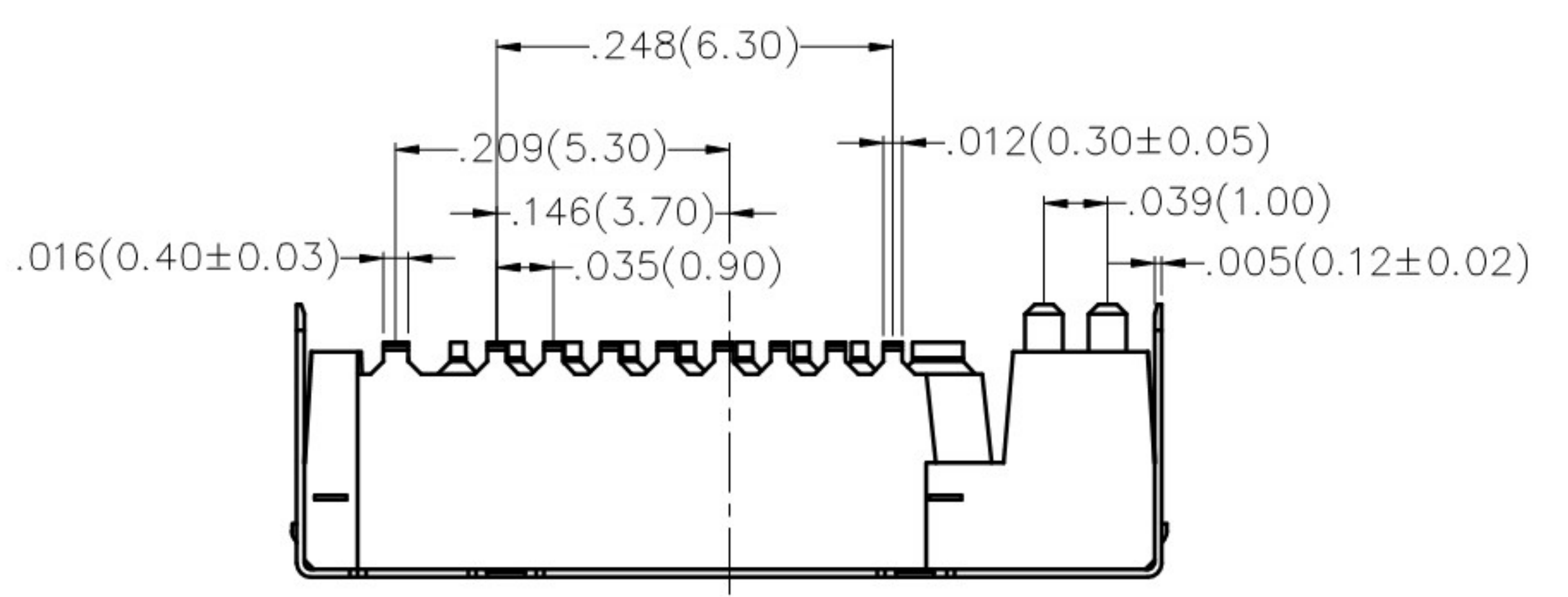


REV	LOCATIONS	DESCRIPTION	DATE	REVISER	APPD



 THIRD ANGLE PROJECTION DESIGN UNITS Inch (metric) SCALE 5:1 SIZE A4	GENERAL TOLERANCES (UNLESS SPECIFIED)		APPROVE BY FRANK	DATE 13/JUL/19	PART NO. FCD424-7M	ITEM NO. FCD424	 3K-KAMING
	X.±.012(0.30)	X.±5'	CHECKED BY CHERRY	DATE 13/JUL/19	TITLE Micro sd card connector(H=3.72mm)		
	X.XX±.006(0.15)	.XX'±1'	DRAWN BY KATE	DATE 13/JUL/19	THIS DRAWING CONTAINS INFORMATION THAT IS PROPRIETARY TO DONG GUAN LANG LUN(3K-KAMING) ELECTRONIC PRODUCTS CO., LTD. AND SHOULD NOT BE USED WITHOUT WRITTEN PERMISSION		
	X.XXX±.004(0.10)	.XXX'±0.5'					



REV	LOCATIONS	DESCRIPTION	DATE	REVISER	APPD

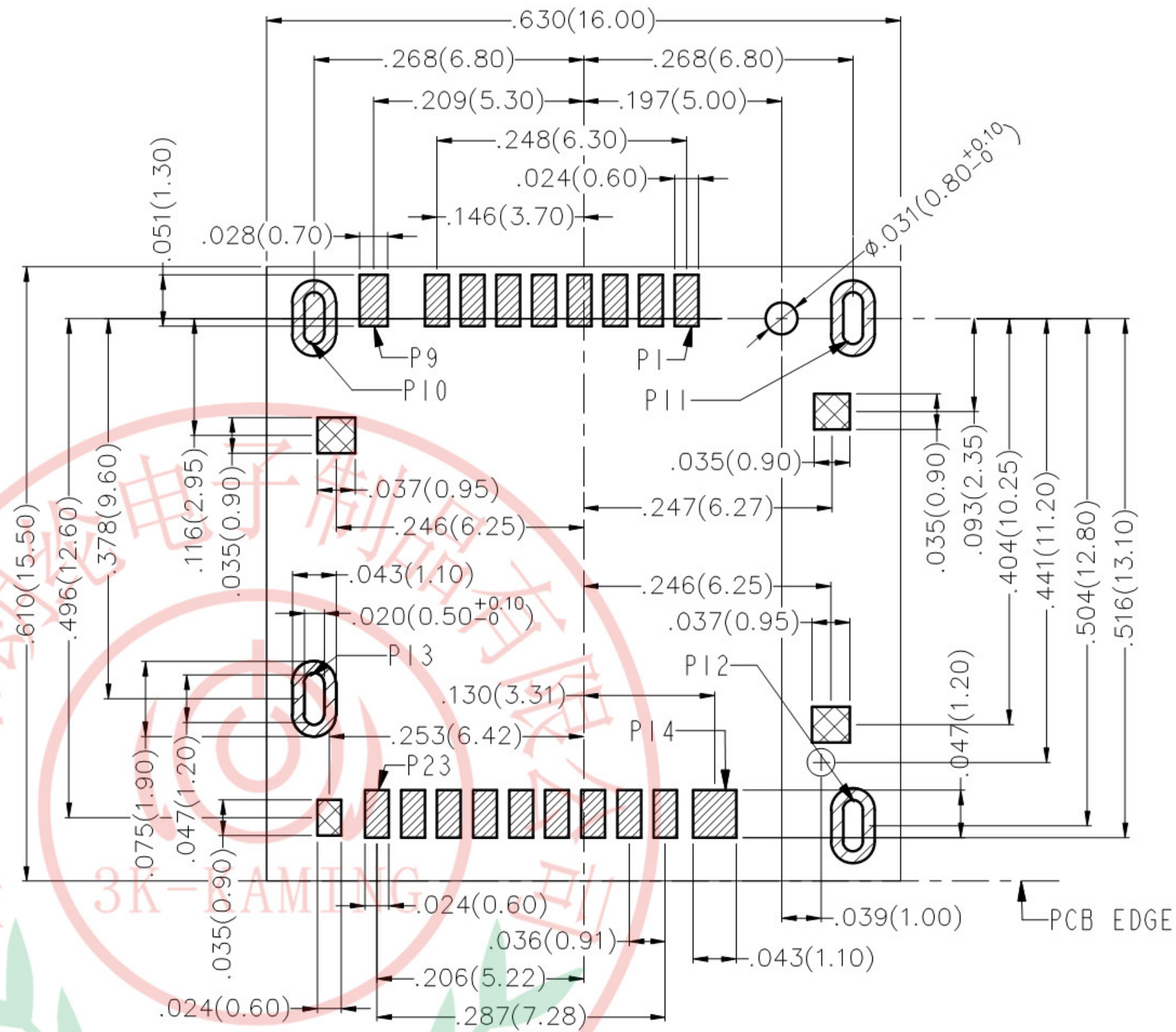


**SPECIFICATIONS**

**Electrical**  
 Current Rating: 0.5A AC(rms)/DC  
 Voltage Rating: 100V AC(rms)/DC  
 Contact Resistance: 100 mΩ Max  
 Insulation Resistance: 1000 MΩ Min/DC 250V  
 Withstanding Voltage: 500V AC r.m.s  
 Temperature Range-Operating: -25°C~+85°C

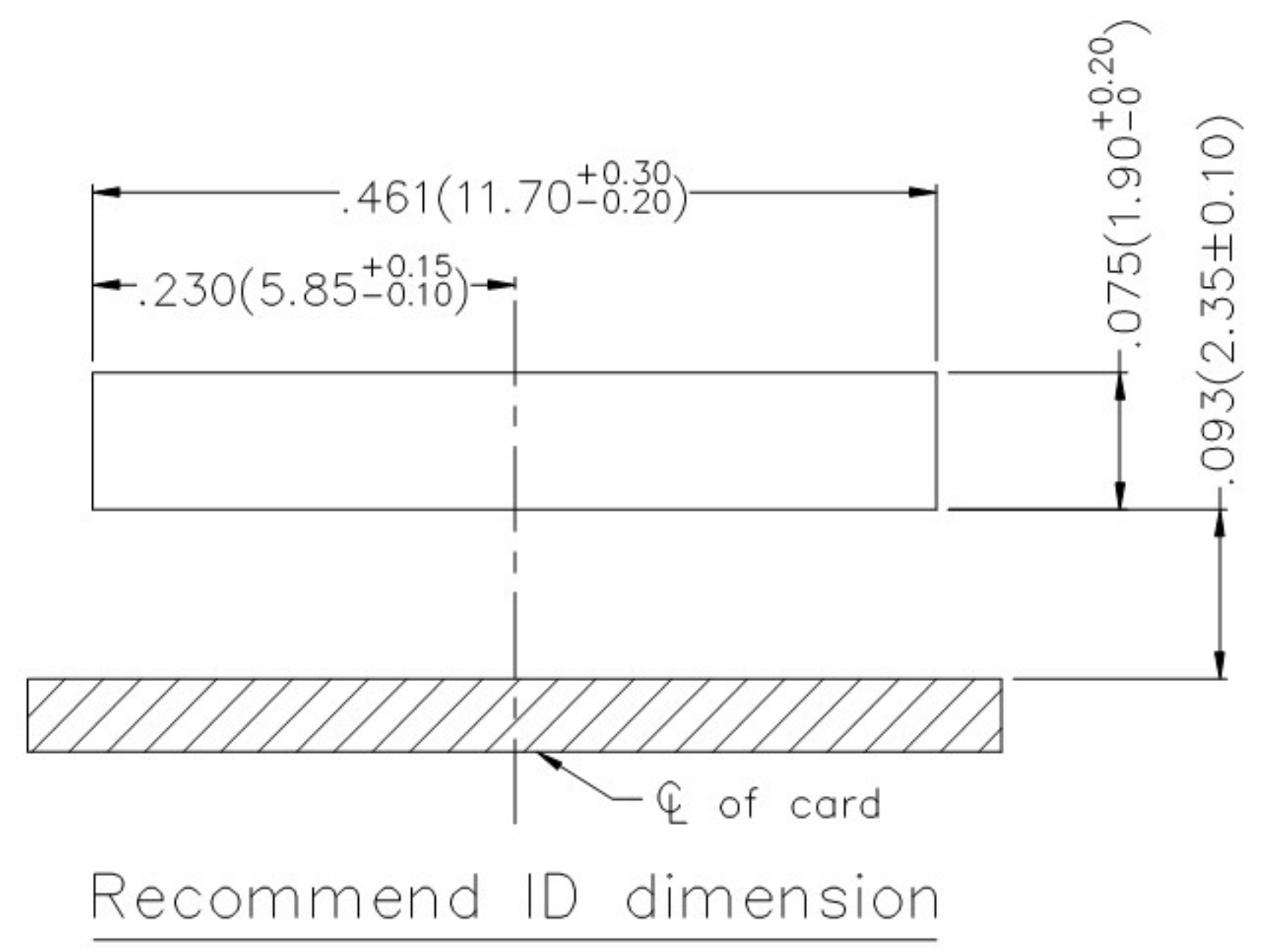
**Material**  
 Housing: LCP (UL 94V-0) Black  
 Contact: Copper alloy  
 Shell: Stainless steel

**Plating**  
 Contact: 1μ" gold in contact area, tin in solder area, Nickel plated overall  
 Shell: 1μ" gold in solder area, Nickel plated overall



- Pad area
- Other component keep out area
- Red gluing area

**Recommended P.C.Board Layout**  
 General tolerances: ±.002(0.05)

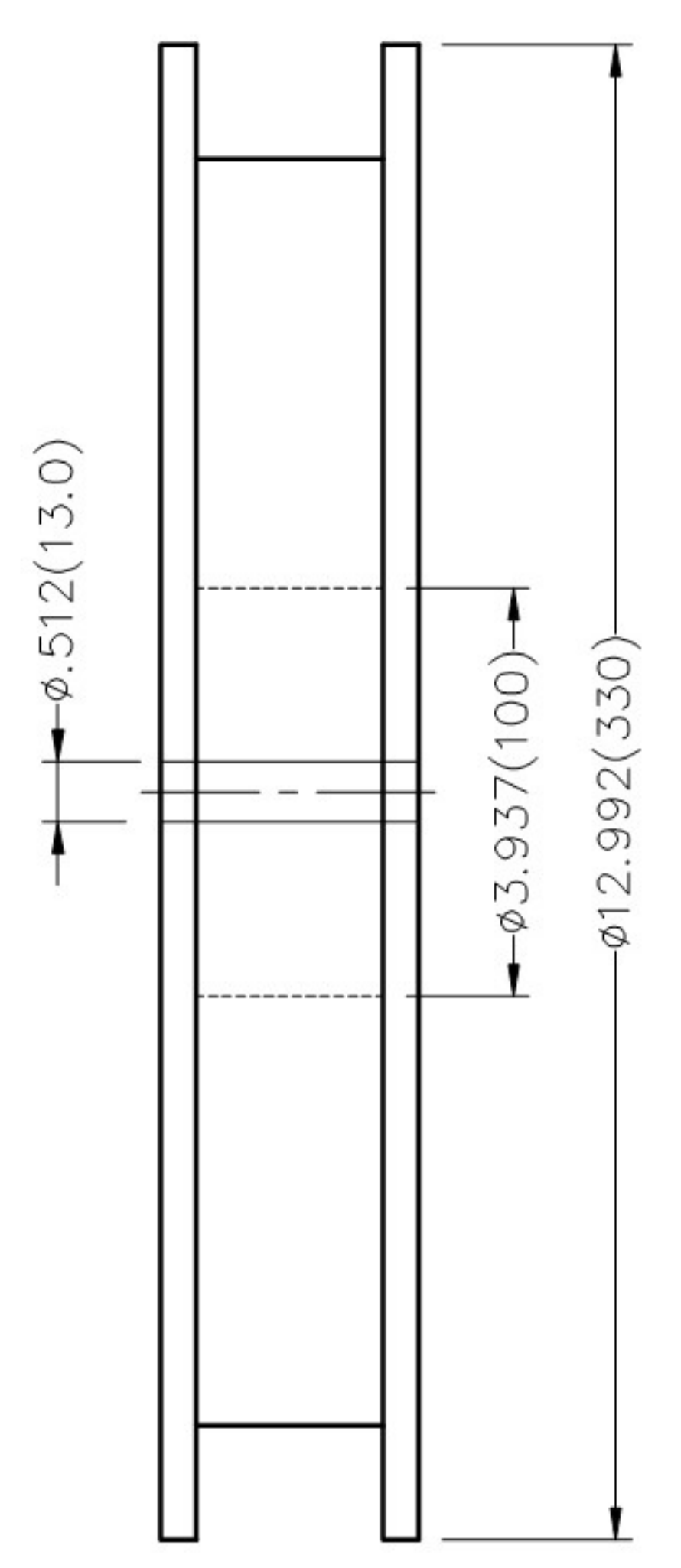
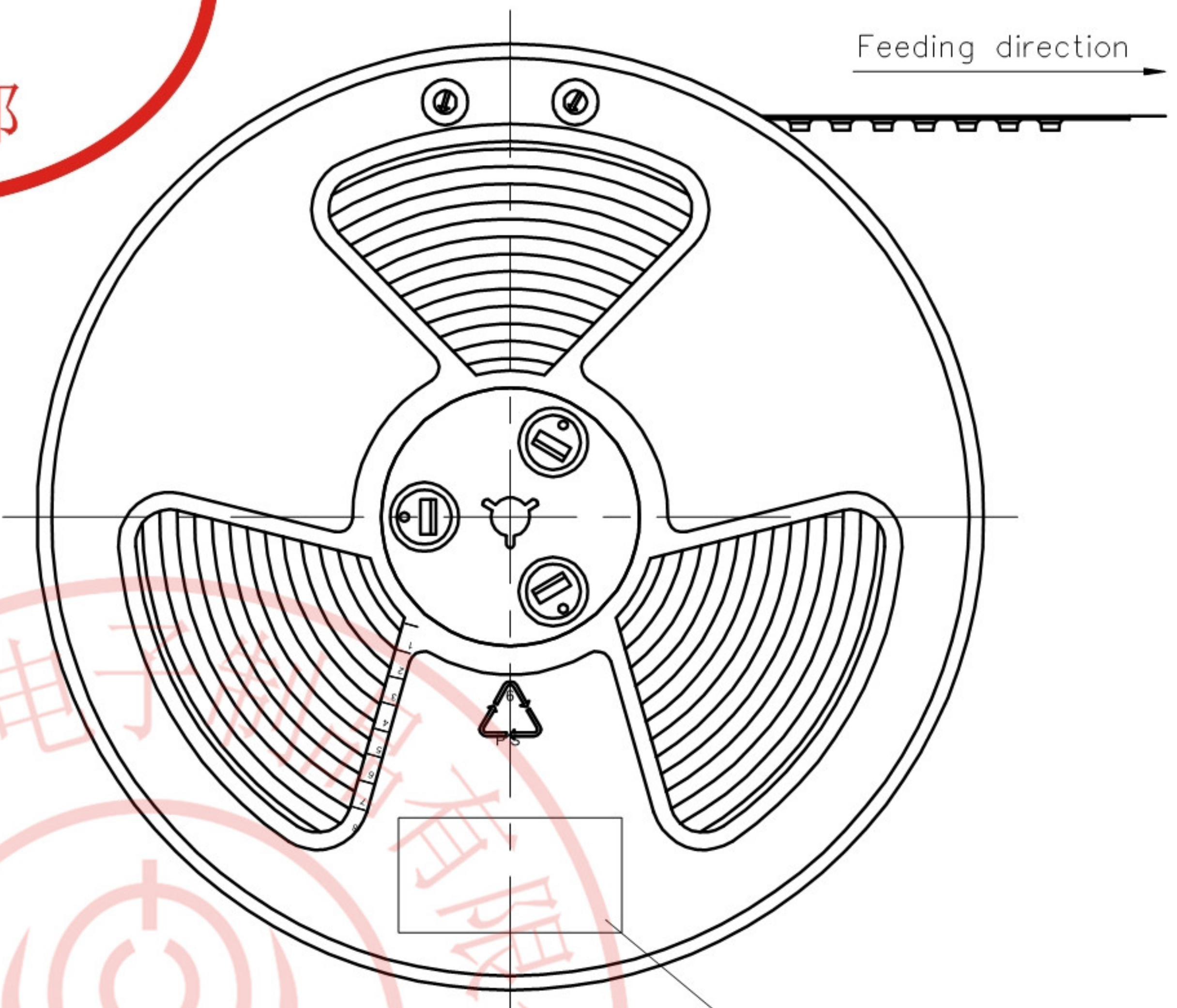


	Card Detect Switch	
Card Uninsertion	Open	
Card Half Insertion	Open	
Card Insertion	Close	
N/O		
	P6	P9
	P6	P9

Pin No.	Pin Assignment
PIN1	Micro SD DAT2
PIN2	Micro SD CD/DAT3
PIN3	Micro SD CMD
PIN4	Micro SD VDD1
PIN5	Micro SD CLK
PIN6	Micro SD VSS
PIN7	Micro SD DAT0 RCLK+
PIN8	Micro SD DAT1 PCLK-
PIN9	Micro SD CD
PIN10	GND
PIN11	GND
PIN12	GND
PIN13	GND
PIN14	GND
PIN15	Micro SD VDD2
PIN16	Micro SD SWIO
PIN17	Micro SD VSS
PIN18	Micro SD D0+
PIN19	Micro SD D0-
PIN20	Micro SD VSS
PIN21	Micro SD D1-
PIN22	Micro SD D1+
PIN23	Micro SD VSS

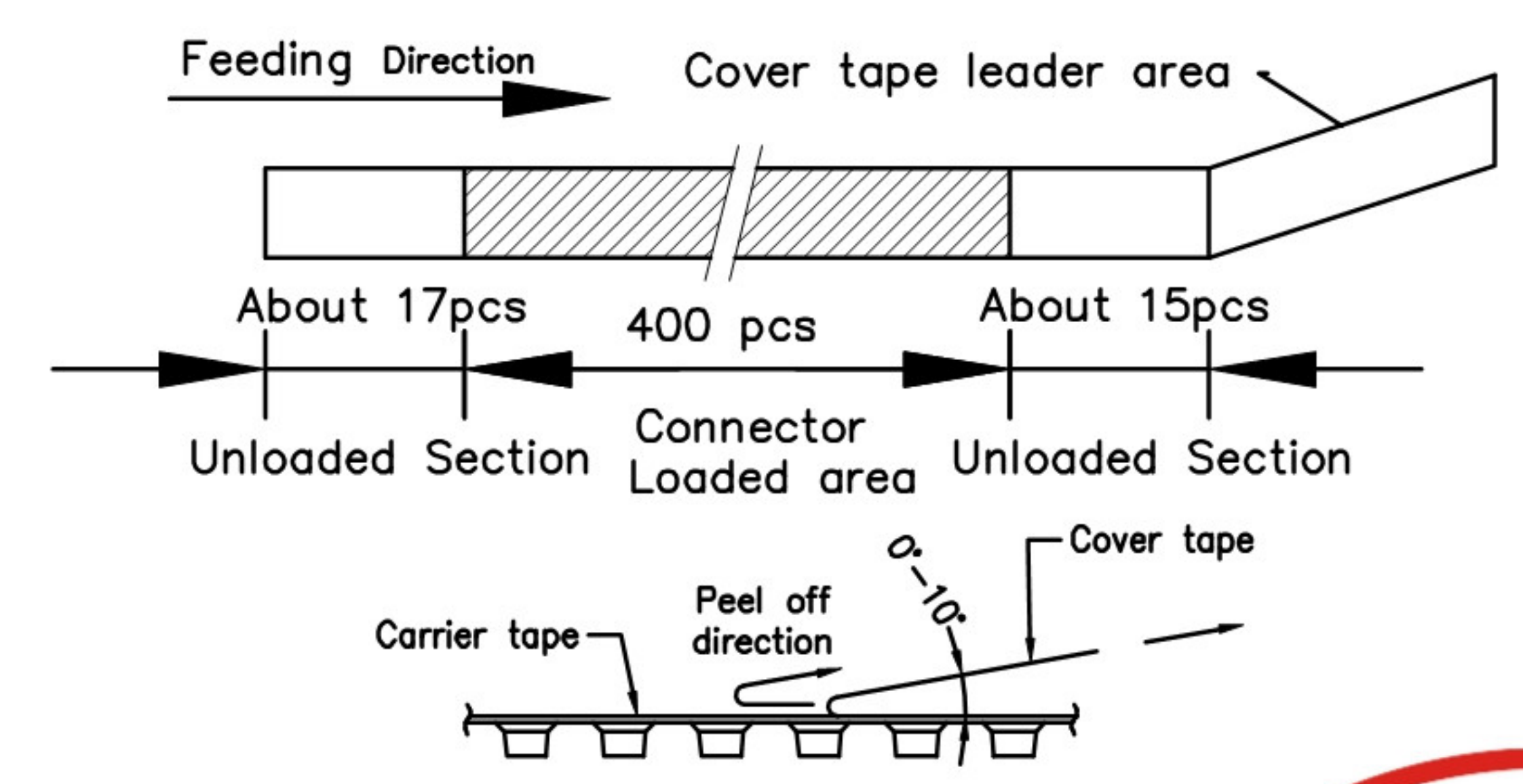
 THIRD ANGLE PROJECTION DESIGN UNITS Inch (metric) SCALE 5:1 SIZE A4	GENERAL TOLERANCES (UNLESS SPECIFIED) X.±.012(0.30) X.±5' X.X±.008(0.20) .X'±2' X.XX±.006(0.15) .XX'±1' X.XXX±.004(0.10) .XXX'±0.5'		APPROVE BY FRANK CHECKED BY CHERRY DRAWN BY KATE	DATE 13/JUL/19 DATE 13/JUL/19 DATE 13/JUL/19	PART NO. FCD424-7M TITLE Micro sd card connector(H=3.72mm)	ITEM NO. FCD424	 3K-KAMING REV 0 SHEET NO. 2/3	
	THIS DRAWING CONTAINS INFORMATION THAT IS PROPRIETARY TO DONG GUAN LANG LUN(3K-KAMING) ELECTRONIC PRODUCTS CO., LTD. AND SHOULD NOT BE USED WITHOUT WRITTEN PERMISSION							



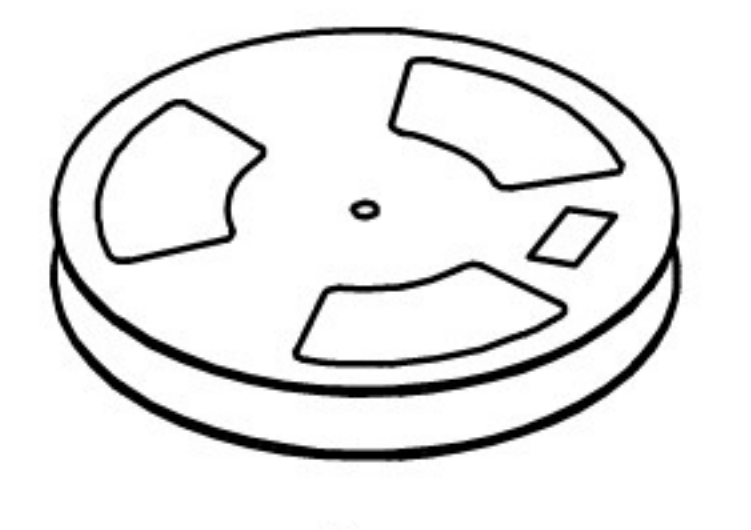
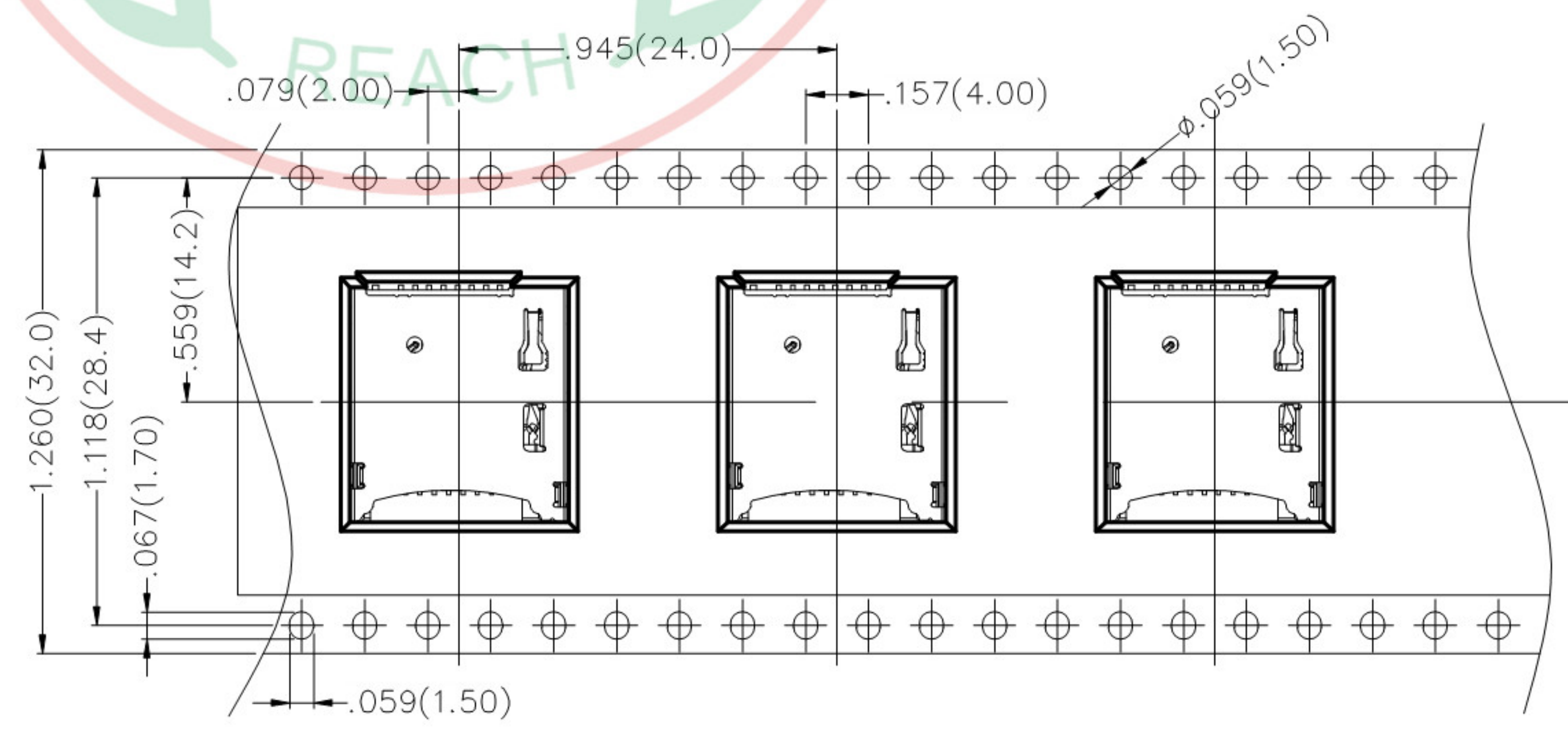


REV	LOCATIONS	DESCRIPTION	DATE	REVISER	APPD

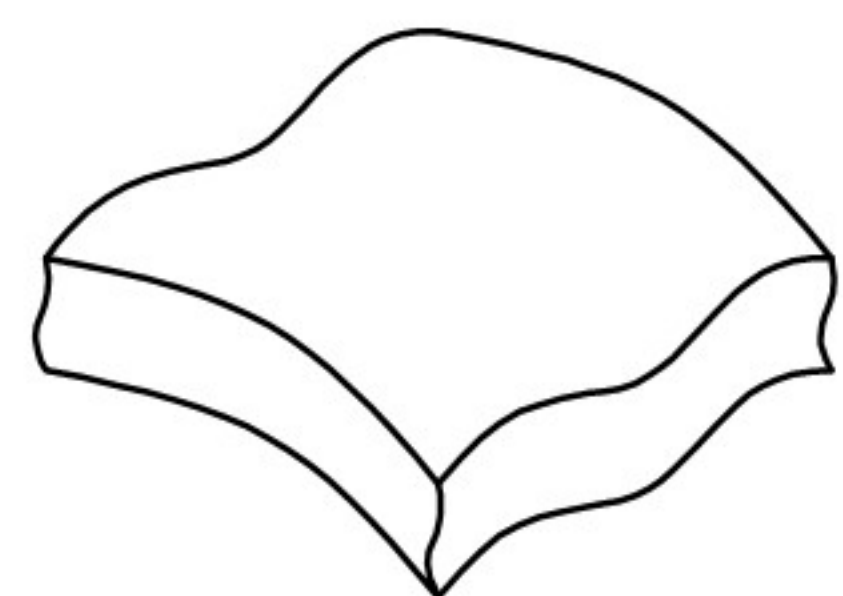
- Note:
- 10 sprocket hole cumulative tolerance  $\pm 0.2$
  - Carrier camber is within 1.0mm in 100mm
  - Material: White Conductive polystyrene Alloy 100% recyclable
  - All dimensions meet EIA-481-3 requirements
  - Component load per 13" reel: 400 pcs



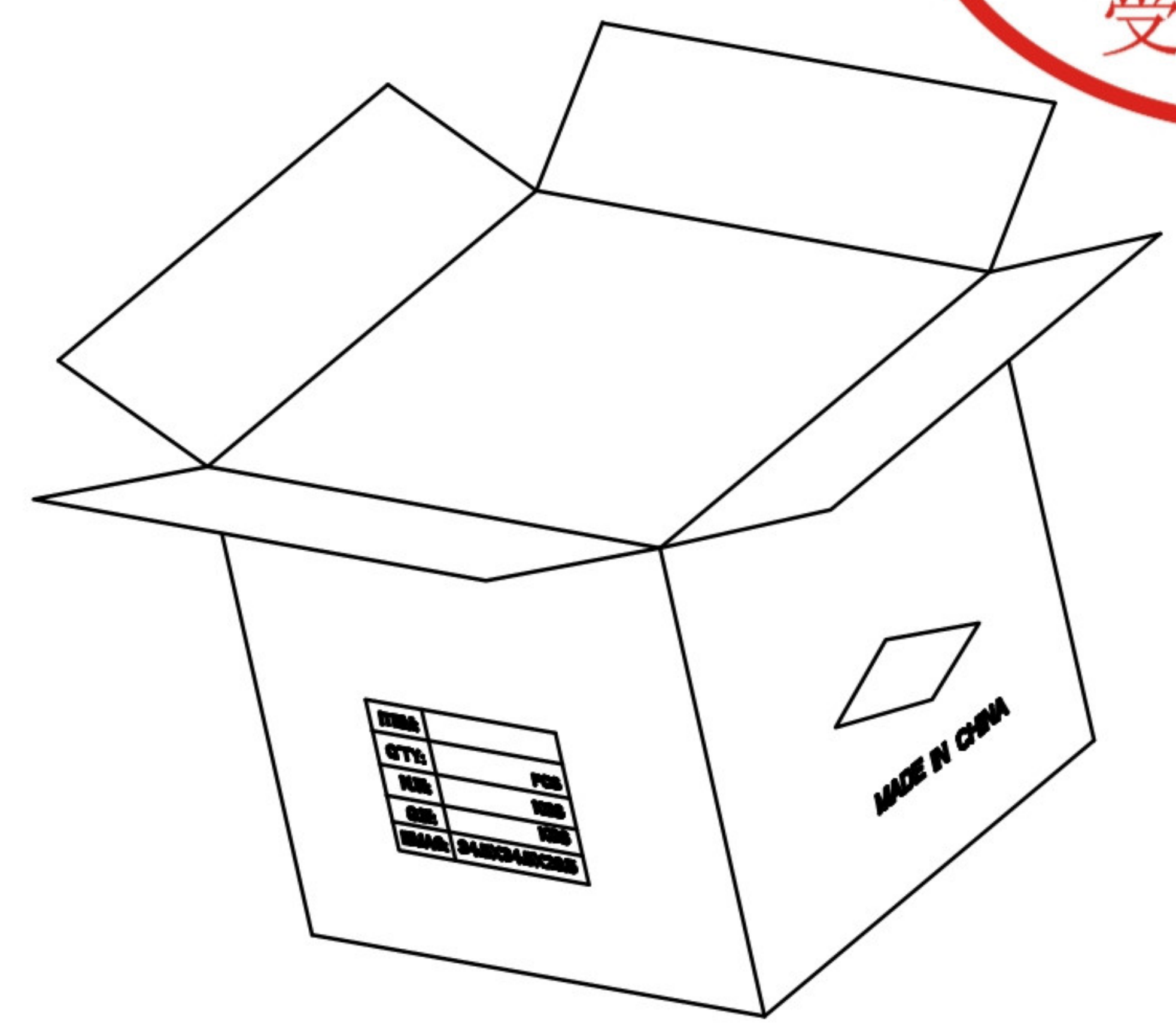
Interior Label



PE Bag



Drying agent/pcs



Feeding Direction

 THIRD ANGLE PROJECTION DESIGN UNITS Inch (metric) SCALE 5:1 SIZE A4	GENERAL TOLERANCES (UNLESS SPECIFIED)		APPROVE BY FRANK	DATE 13/JUL/19	PART NO. FCD424-7M	ITEM NO. FCD424	 3K-KAMING REV 0 SHEET NO. 3/3
	X. $\pm$ .012(0.30)	X. $\pm$ 5'	CHECKED BY CHERRY	DATE 13/JUL/19	TITLE Micro sd card connector(H=3.72mm)		
	X.X $\pm$ .008(0.20)	.X' $\pm$ 2'	DRAWN BY KATE	DATE 13/JUL/19	THIS DRAWING CONTAINS INFORMATION THAT IS PROPRIETARY TO DONG GUAN LANG LUN(3K-KAMING) ELECTRONIC PRODUCTS CO., LTD. AND SHOULD NOT BE USED WITHOUT WRITTEN PERMISSION		
	X.XX $\pm$ .006(0.15)	.XX' $\pm$ 1'					
	X.XXX $\pm$ .004(0.10)	.XXX' $\pm$ 0.5'					